

ED3575

Hardened Managed Ethernet Switch/Extender



Product Highlights

↻ Versatility

- Managed platform with dual functions as a switch and an extender
- Dual SFP ports for fiber connectivity
- Dual VDSL2 ports extend data up to 2.2km using legacy copper pair wire

↻ Hardened-Grade for Non-Ventilated & Harsh Environments

- Wide operating temperature range of -40 to 75°C (-40 to 167°F)
- Fanless operation
- High impact, thermal shock, and electrical noise resistance

↻ Management/Security Features

- Port control
- 802.1x port-based network access control and remote authentication through RADIUS and TACACS+
- Configure and monitor with eVue™ and eLite™

↻ Support

- Complimentary Technical Support
- Free Firmware Upgrades and notifications
- Limited Lifetime Warranty

Overview

EtherWAN's ED3575 is a hardened managed Ethernet switch and extender combo. Equipped with Ethernet, SFP, and copper extender ports, the ED3575 bridges the gap between modern and legacy infrastructures, providing the flexibility and versatility for networks in urban infrastructure, transportation, security, and other areas where connectivity is crucial.

Ordering Information

Model

ED3575-622 6-port 10/100BASE-TX + 2-port 10/100/1000BASE-T / 100/1000BASE SFP Combo + 2-port VDSL2

Software Features

Interface	+
CLI, Telnet, Web GUI	
Management	+
Firmware upgrade	
Configuration backup	
DHCP Server/Client	
RMON (Remote Monitoring): group 1, 2, 3, 9	
Port Mirroring	
NTP (Network Time Protocol) synchronization	
LLDP (Link Layer Discovery Protocol)	
IPv4/IPv6	
SNMP v1/v2c/v3	
Security	+
MAC Address filtering	
Enable/Disable port	
Storm control	
System logging	
IEEE 802.1x LAN Access Control	
Remote authentication through RADIUS and TACACS+	
Complex password support	
Multi-user login and privileged access management	
SSH for CLI and Telnet security	
SSL and HTTPS for web security	
ACL (Access Control List, up to 4096 entries)	
Quality of Service (QoS)	+
Priority Queues: 8 queues per port	
Traffic classification based on IEEE 802.1p CoS (Cost of Service), DSCP (Differentiated Services Code Point), WRR (Weighted Round Robin), and strict mode	
Rate Limiting (Ingress/Egress)	

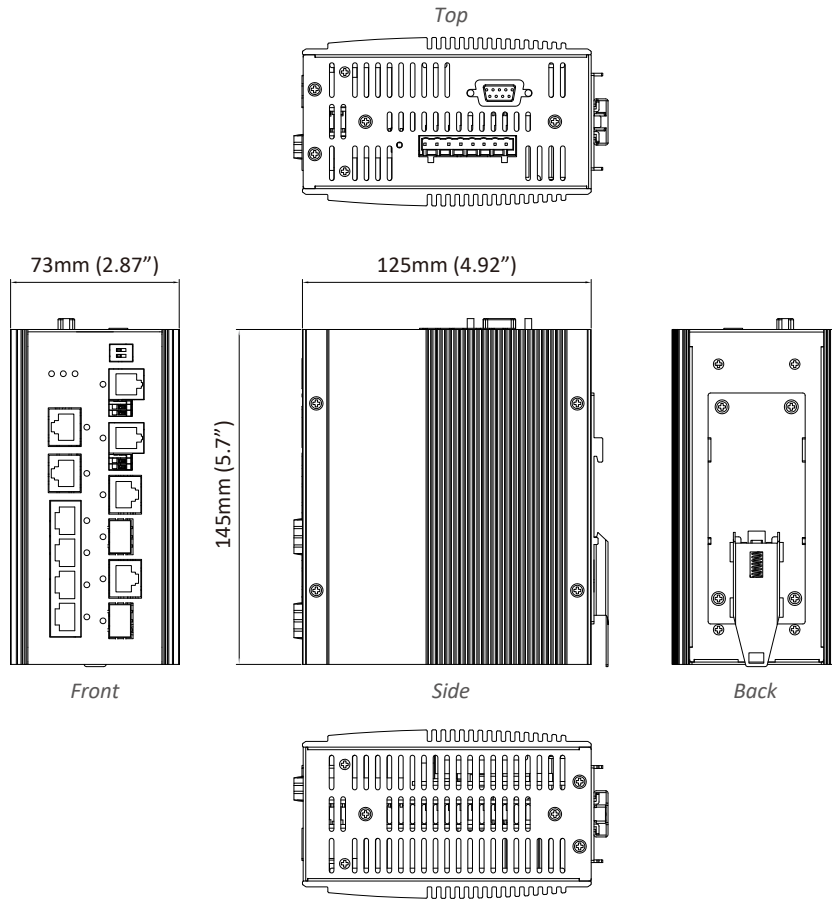
Layer 2 Features	+
Auto-negotiation for port speed and duplex	Flow Control IEEE 802.3x full duplex mode Back-pressure half duplex mode
Redundant Protocols	IEEE 802.1D STP IEEE 802.1w RSTP IEEE 802.1s MSTP EtherWAN's Alpha-Ring network fault recovery
VLANs	IEEE 802.1Q Tag VLANs GVRP GMRP
Link Aggregation	Static Trunk (4 groups) IEEE 802.3ad LACP
IGMP Snooping v1/v2/v3	
Switch Properties and Performance	+
Switching Fabric	5.6Gbps
Total VLAN Entries	256 (4096 VID)
MAC Table Size	8K
Packet Buffer Memory	2M bits

Hardware Specifications

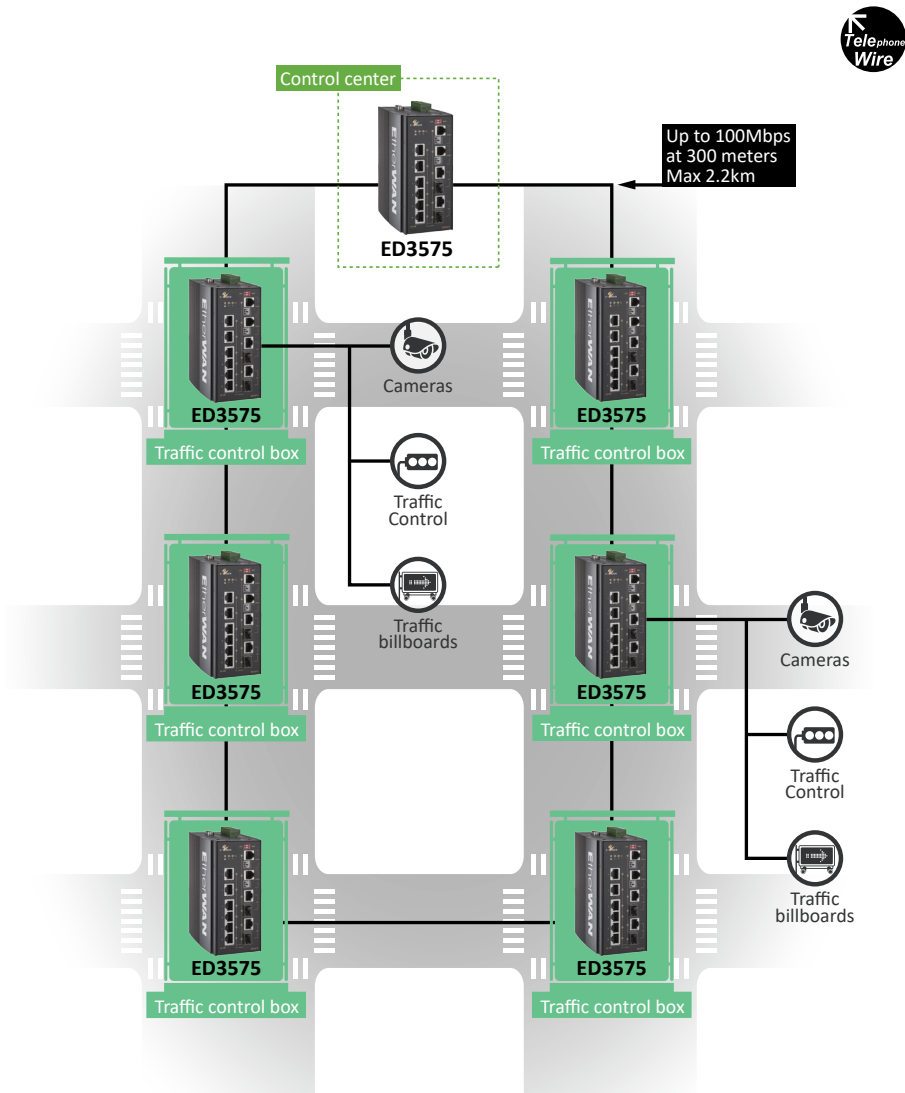
Interface		+
Ethernet	6 x 10/100BASE-TX 2 x 10/100/1000BASE-T and 100/1000BASE-X SFP Combo	
Extender Ports	2 x RJ11 and Terminal Block Combo Cable: 24AWG. 0.5mm diameter, 1 pair	
Console	1 x DB9	
VDSL Operation	DIP Switch: Local or Remote	
Alarm Contact	1 x Relay output, current capacity 1A/24VDC	
LED Indicators	Per Unit: Power 1, Power 2, Alarm Per RJ45 Port: Link/Activity Per Extender Port: Link	
Technology		+
Standards	IEEE 802.3 10BASE-T IEEE 802.3u 100BASE-TX/100BASE-FX IEEE 802.3ad link aggregation control IEEE 802.3z 1000BASE-SX/1000BASE-LX IEEE 802.3x full duplex and flow control IEEE 802.1D STP IEEE 802.1p QoS IEEE 802.1Q Tag VLANs IEEE 802.1s MSTP IEEE 802.1w RSTP IEEE 802.1x PNAC IEEE 802.1ab LLDP	
Forward/Filtering Rate	14,800pps for 10Mbps 148,810pps for 100Mbps 1,488,100pps for 1000Mbps	
Processing Type	Store-and-forward Auto-negotiation Half-duplex back-pressure and full-duplex flow control Auto MDI/MDIX	
Power		+
Input	12-48VDC Redundant (Terminal block)	
Power Consumption	15.2W Max	
Protection	Reverse Polarity Protection Over Current Protection	

Physical		+
Casing Material	Aluminum	
IP Rating	IP30	
Dimensions	73 x 125 x 145mm (W x D x H) 2.87" x 4.92" x 5.7"	
Weight	1.25Kg (2.76lbs)	
Installation Type	DIN-rail (Top Hat Type 35mm)	
Environmental		+
Operating Temp.	-40 to 75°C (-40 to 167°F)	
Storage Temp.	-45 to 85°C (-49 to 185°F)	
Relative Humidity	5% to 95% (non-condensing)	
Regulatory		+
ISO	Manufactured in ISO-9001 facility	
EMI	FCC Part 15B Class A VCCI Class A EN 55032 EN 61000-6-4 EN 61000-3-2 EN 61000-3-3	
EMS	EN 61000-4-2 (ESD) EN 61000-4-3 (Radiated RFI) EN 61000-4-4 (Burst) EN 61000-4-5 (Surge) EN 61000-4-6 (Induced RFI) EN 61000-4-8 (Magnetic field)	
Safety	UL 61010	
Vibration	IEC 60068-2-6	
Shock	IEC 60068-2-27	
Free Fall	FED STD 101C Method 5007.1	
Industrial	NEMA-TS2	
Warranty		+
Length	Limited Lifetime	
Details	www.etherwan.com/support/warranty-policy	
What's Included		+
Device	Ethernet Switch/Extender	
Cables	1 Console Cable	
Documentation	Quick install guide	

Dimensions



Application



Software

Network Management eVue™ Network Configuration and Monitoring Tool

Network Discovery eLite™ Network Discovery and IP Configuration Tool

EtherWAN [Home](#) [Devices](#) [Batch](#) [Group](#) [Events](#) [Settings](#) [Screen Zoom](#) [Logout](#)

Device List

IP	System Name	Group
192.168.50.12	EG99-5012	
192.168.50.62	EX709-5062	
192.168.50.254	R50	
192.168.50.11	EG99-5011	
192.168.50.63	EX74-5063	
192.168.50.14	EX779-5014	
192.168.50.61	EX71v2-5061	
192.168.50.44	EX71-5044	
192.168.50.64	EX73-5064	
192.168.50.34	EX739-5034	

Previous Page 1 of 3 Next

Topology

Latest Events 0 0 0

Acknowledged	ID	Severity	Time	Service	Node	Message
✓	5107	Normal	6/28/2019, 9:50:35 AM	login	server	User 'admin' logged in.
✓	5106	Normal	6/27/2019, 10:00:50 AM	login	server	User 'admin' logged in.
✓	5105	Major	6/24/2019, 1:18:23 PM	ping-monitor	192.168.1.19	Web 192.168.1.19 is down.
✓	5105	Major	6/24/2019, 1:18:23 PM	ping-monitor	192.168.1.19	Telnet 192.168.1.19 is down.
✓	5104	Normal	6/24/2019, 1:12:34 PM	login	server	User 'admin' logged in.

eLite _ □ ×

List Server Firmware Configuration Help

IP Address	MAC Address
192.168.50.22	00:e0:b3:50:22:00
192.168.50.31	00:e0:b3:50:31:00
192.168.50.72	00:e0:b3:50:72:00
192.168.50.55	00:e0:b3:50:55:00
192.168.50.23	00:e0:b3:50:23:00
192.168.50.73	00:e0:b3:50:73:00
192.168.50.44	00:e0:b3:50:44:00
192.168.50.64	00:e0:b3:50:64:00
192.168.50.43	00:e0:b3:50:43:00
192.168.50.62	00:e0:b3:50:62:00
192.168.50.71	00:e0:b3:50:71:00
192.168.50.24	00:e0:b3:50:24:00

Model: EX77000
 Firmware: 4.00.0 02/20/19 14:36:22
 System name: EX77v2-5022
 IP: 192.168.50.22
 Subnet: 255.255.255.0
 Gateway: 192.168.50.254
 MAC: 00:e0:b3:50:22:00

Ready

Accessories

Hardened 100BASE SFP Modules	+
------------------------------	---

www.etherwan.com/products/sfp-fiber-transceiver

Hardened Gigabit SFP Modules	+
------------------------------	---

www.etherwan.com/products/sfp-fiber-transceiver

DIN-Rail Power Supplies	+
-------------------------	---

www.etherwan.com/products/din-rail-power-supply
