

The Most **Reliable**
Storage For Industries

Industrial CF6A-M



Industrial CF6A-M

Overview

Apacer industrial CF6A-M card is compliant with the CFA 6.0 specifications. Apacer adopts the standard 50-pin connector and MLC chip lower cost and higher capacity for the card. It is available in capacities from 8GB to 64GB. The data transfer mode is up to PIO Mode 6 , Multiword DMA Mode 4 ,Ultra DMA Mode 7 , PCMCIA UDMA Mode 7, with the sequential read/write speed reaching as fast as 115/75 MB/sec. To help data stay correct, this CF6A-M memory card also supports 72-bit ECC function, wear-leveling function and S.M.A.R.T. (Self-Monitoring, Analysis, and Reporting Technology), thereby substantially enhancing product reliability.



*The actual available memory on the device is less than what is listed on the package. This is due to small discrepancies in file formats and algorithms used by various operating systems. In addition, a portion of memory space is reserved for system files and data sectors for better performance.

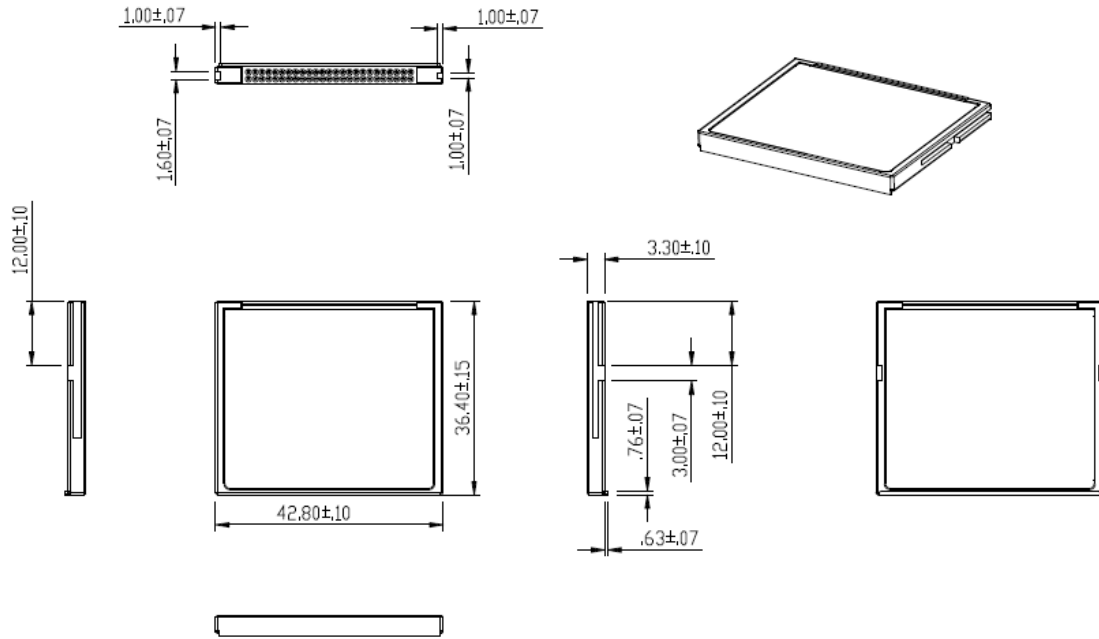
Feature

- Compliant with CFA 6.0 specifications
- Write protect
- Built-in ATA Secure Erase and S.M.A.R.T. Functions
- Advanced wear-leveling and Block Management
- Power Failure Management
- Wide Temp.

Specifications

Model	Industrial CF6A-M
Interface	PC Card Memory Mode; PC Card I/O Mode; True IDE Mode
Connector	50-pin
Form Factor	CompactFlash Type I
Transfer Mode	PIO Mode 6 , Multiword DMA Mode 4 , Ultra DMA Mode 7, PCMCIA UDMA Mode 7
NAND Flash Type	MLC
Capacity	8GB~64GB
Sustained Read Performance (MB/sec)	Up to 115
Sustained Write Performance (MB/sec)	Up to 75
ECC Engine	Built-in 72-bit per 1K bytes BCH ECC
Standard Operating Temperature (°C)	0 ~ + 70
Extended Operating Temperature (°C)	-40 ~ + 85
Storage Temperature (°C)	-40 ~ + 100
H/W Write Protect	Yes
Shock	Operation: 50G, 11ms Non-operation: 1500G, 0.5ms
Vibration	Operation: 7.69 Grms, 20~2000 Hz/random (compliant with MIL-STD-810G) Non-operation: 4.02 Grms, 15 ~ 2000 Hz/sine
Operating Voltage	3.3 V / 5.0 V ± 5%
Power Consumption	Operating Voltage: 3.3V Active mode: 255 mA / Standby mode: 10 mA Operating Voltage: 5.0V Active mode: 260 mA / – Standby mode: 10 mA
Dimension (L x W x H)	36.4mm x 42.8mm x 3.3mm
MTBF (hours)	>1,000,000

Mechanical Specification



Unit: mm

For more information,
contact your Apacer representative

Global Presence

Taiwan (Headquarters)
Apacer Technology Inc.
Tel: +886-2-2267-8000
Fax: +886-2-2267-2261

Europe
Apacer Technology B.V.
Tel: +31-40-267-0000
Fax: +31-40-290-0686

U.S.A.
Apacer Memory America, Inc.
Tel: +1-408-518-8699
Fax: 1-510-249-9551

China
Apacer Electronic(Shanghai)
Co., Ltd.
Tel: +86-21-6228-9939

Japan
Apacer Technology Corp.
Tel: +81-3-5419-2668
Fax: +81-3-5419-0018

India
Apacer Technologies Pvt. Ltd.
Tel: +91-80-41529061~3
Fax: +91-80-41700215