

TKH-MOUSE-IND-SCROLL-IP68-BLACK-LASER

INDUMOUSE



TKH-MOUSE-IND-SCROLL-IP68-GREY-LASER

INDUMOUSE



PRODUCT FEATURES

- Industrial mouse with aluminium bottom plate and laser scanning
- Ergonomic shape with two mousebuttons and three-button scroll function
- Due to the symmetric shape it's suitable for right-hand and also left-hand operation
- Comfortable touch and operation
- Completely water and dust proof
- Easy to clean and to disinfect
- Germs and pathogens are prevented from growing due to antimicrobial properties
- Resolution adjustable in four levels from 400 to 1600 cpi

SPECIFICATION

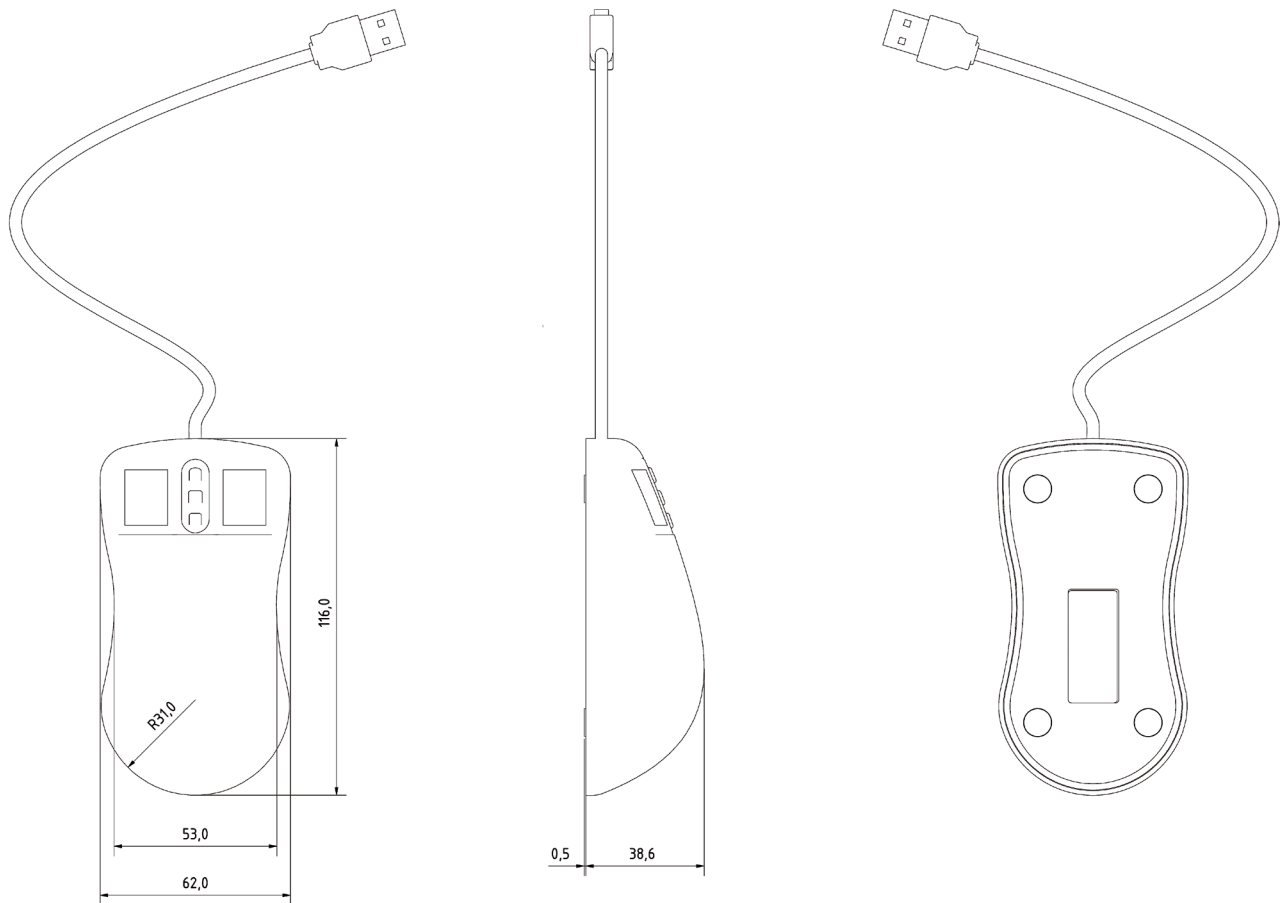
Number of Keys:	5	Protection level:	IP68
Housing:	Silicone rubber	Interface:	USB
Bottom plate:	Aluminium	USB compatibility:	compatible with USB 2.0
Colour:	grey, black	Cable length:	ca. 2 m
Switch technology:	Short travel keys	Operating temperature:	-25 °C to +70 °C
Switching cycles:	approx. 3 mill. (per key)	Storage temperature:	-25 °C to +80 °C
Scanning:	Laser	Dimensions:	116 x 62 x 38.6 mm
Resolution:	400, 800, 1200 or 1600 cpi (adjustable)	Weight:	180 g
Scroll function:	by 3 Scrollbuttons	Certifications:	CE, RohS, REACH
		Warranty:	4 years on the electrical function

Cat.No.	Product designation	Colour
KH19226	TKH-MOUSE-IND-SCROLL-IP68-GREY-LASER-USB	Grey
KH19224	TKH-MOUSE-IND-SCROLL-IP68-BLACK-LASER-USB	Black

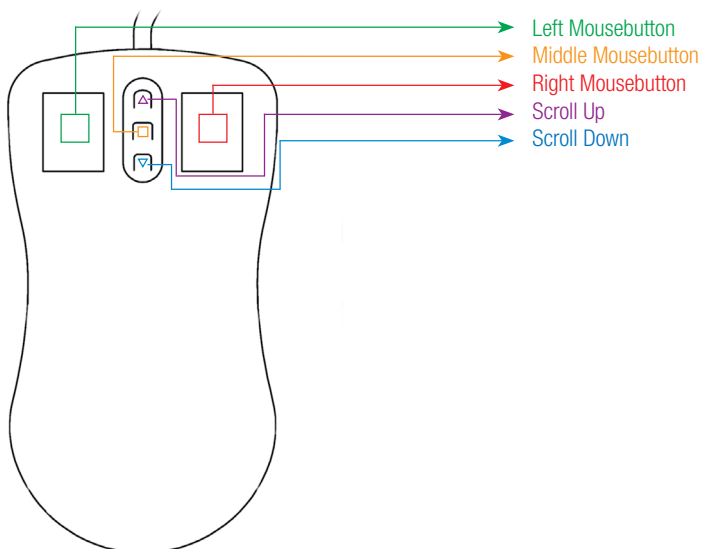
Other configurations and interfaces on request.

Subject to modifications and errors!

TECHNICAL DRAWING (in mm)



Mouse functions when using standard Windows® drivers



Resolution adjustment:

Resolution is adjustable in 4 levels: 400, 800, 1200 and 1600 cpi.
 Keep left and right mousebutton pressed at once and adjust the resolution with the scrollbuttons:
 * Scroll-up button: higher resolution
 * Scroll-down button: lower resolution

Subject to modifications and errors!