



- Solid state sensing technology - Laser tracking engine
- Sealing to IP68
- Output: PS/2 & USB or Quadrature
- Smooth operation in rugged environments
- Various top plate configurations
- Custom connector options

25 MM OPTICAL OEM TRACKBALLMODULE

Utilizing the latest and most advanced laser optical tracking technology, the X25 Series laser Trackerball™ is an extremely high specification, contact-less device, ideal for the most demanding of cursor control applications.

The laser optical tracking engine provides accurate cursor motion at all speeds and on virtually any ball, combining the benefits of solid state sensing (no moving parts except the ball). The X25 trackballs are available with a variety of electrical outputs and sealing to IP68. The solid state design allows the device to be subjected to extreme conditions and provides the user with the ability to wash down, decontaminate, and sterilise, making it the ideal trackball for a wide range of demanding applications and environments. The unit has been designed to be back of panel mounted as part of OEM keyboards and consoles.

GENERAL TECHNICAL SPECIFICATIONS

Mechanical

Weight	40 grams
Ball	Epoxy Resin, 25 mm
Tracking Force	20 grams Nominal - damper ring / 20 - 40 grams - rubber seal
Ball Load	100N Maximum downward pressure (10 Kg) for 2 mins.
Ball Rotation	Continuous and reversible any direction
Resolvable Ball Speed	40 Inches/sec.
Housing Material	Polycarbonate / ABS
Transducer	Optical Navigation Technology (solid state sensing)
Mounting Position	All angles
Sealing gasket	Cellular silicone

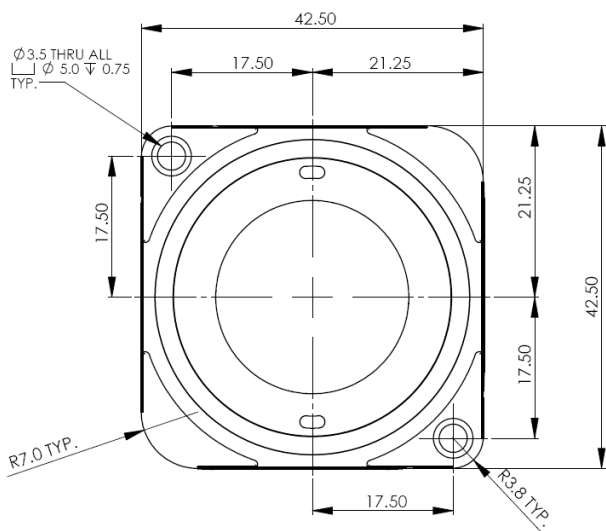
Electrical

Supply voltage	4.4V to 5.25V D.C.
Supply current	23mA typical, 25mA maximum
Resolution	650 counts per ball revolution @ 1 IPS (inches per second) +/- 10% (Quadrature protocol) 1300 counts per ball revolution @ 5 IPS (inches per second) +/- 10% (USB, PS/2 protocol)
Output connector	6 Way JST, right-angled header, part no. S6B-PH-SM3-TB
Switch Inputs (USB, PS/2)	3 switches: left, middle, right. Connection through 4-way JST, right-angled header, part no: S4B-PH-SM3-TB
Laser safety class	Embedded class 1M laser safety, IEC 60825-1

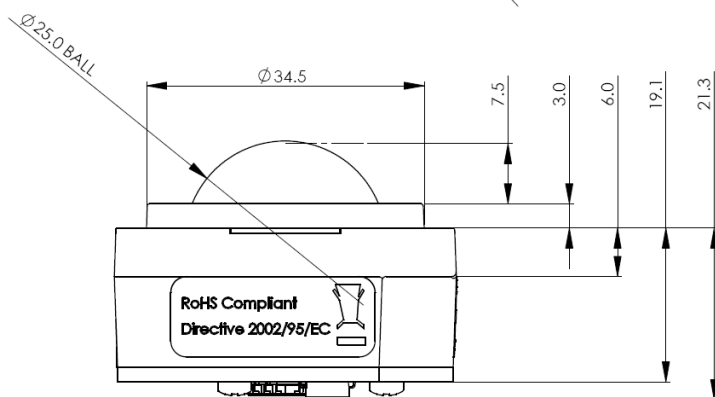
Environmental

Operating temperature	0°C to +55°C (IEC 60068-2-1, IEC60068-2-2)
Storage temperature	-40°C to + 85°C (IEC 60068-2-1, IEC60068-2-2)
Operating humidity	93% RH @ 40°C, non-condensing (IEC 60068-2-78)
Storage humidity	10%-95% non-condensing (IEC 60068-2-78)
Vibration	5g, 10-500Hz, 1 octave/min, 10 sweep cycles (IEC 60068-2-6)
Operating Shock	15g/11ms, ½ sine, 3 shocks in +ve and -ve direction, all 3 axes (IEC 60068-2-27)
Non-operating shock	50g/11ms, ½ sine, 3 shocks in +ve and -ve direction, all 3 axes (IEC 60068-2-27)
Mechanical lifetime	1 million ball revolutions
MTBF	in excess of 80,000 hours (MIL-STD-217F)
ESD	15kV air-discharge and 8kV contact discharge (IEC 61000-4-2)
EMC	Radiated immunity - limits according to level 3 of IEC 61000-4-3. Radiated emissions to EN55022 class B
Sealing capability	IP68 (BS EN 60529)

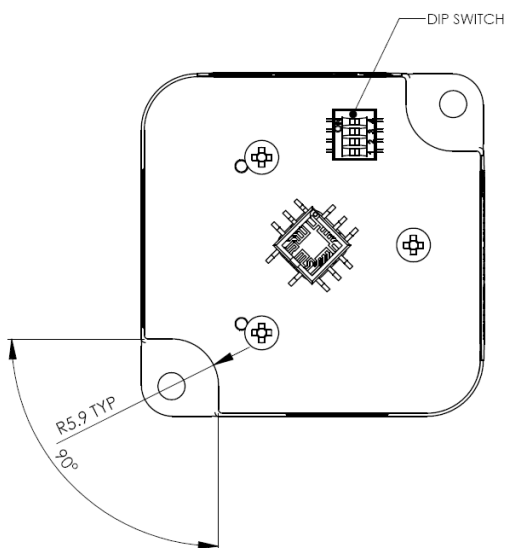
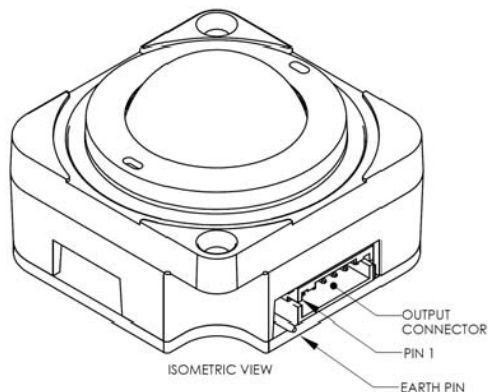
DIMENSIONAL DRAWING



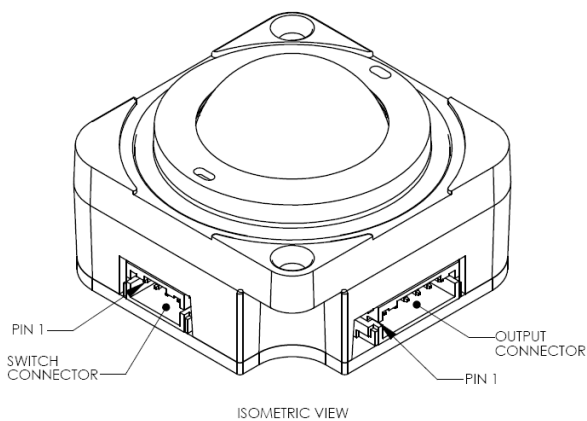
Dimensional drawing specifies factory default orientation. All dimensions are in mm unless otherwise stated. Tolerances +/- 0.2mm unless otherwise stated. Please note that an IGES model is available on request. Please contact your local sales office for more information.



Quadrature output



PS/2 & USB output



The company reserves the right to alter without prior knowledge the specification or design of any standard product or service.

CONNECTION DETAILS QUADRATURE OUTPUT

Output Connector : P1

Description: 6 Way JST, right-angled header.
 Manufacturer: JST (or equivalent)
 Part No: S6B-PH-SM4-TB
 Mating connector: PH, CR or KR types (e.g. PHR-6)

Pin Number	Quadrature
1	X1
2	X2
3	Vcc
4	Y1
5	Y2
6	GND

CONNECTION DETAILS PS/2 - USB OUTPUT

Output Connector : P1

Description: 6 Way JST, right-angled header.
 Manufacturer: JST (or equivalent)
 Part No: S6B-PH-SM4-TB
 Mating connector: PH, CR or KR types (e.g. PHR-6)

Pin Number	PS/2 & USB
1	EARTH
2	See note 1
3	5V D.C
4	PS/2 Data, D-
5	PS/2 Clock, D+
6	0V

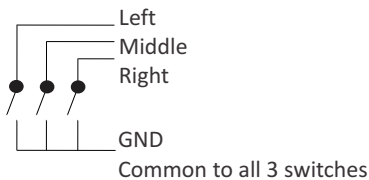
Switch Input Connector : P2

Description: 4-way JST, right-angled header.
 Manufacturer: JST (or equivalent)
 Part No: S4B-PH-SM4-TB
 Mating connector: PH, CR or KR types (e.g. PHR-4)

Pin Number	Function
1	Left switch
2	Middle switch
3	Right switch
4	0V

Note 1 : Pin to be left floating (unconnected)

Switch Schematic



OPTIONAL LEAD ASSEMBLIES

Standard Lead assemblies for connection to the X25 unit are available. Other lead assemblies can also be supplied to customer specifications.

Part Number	Leads / Adapters	Description
OC6006160	Output cable PS/2	1,6 m shielded cable with 6 pin mini DIN plug
OC5006160	Output cable USB	1,6 m shielded cable with USB type A plug
IC040035	Switch Input	4 way JST style - bare wires, 35 cm long
IC060635	Interconnection	Interconnection cable, 35 cm long

CONFIGURATION

The X25 trackball provides features that may be selected using the DIP switch located on the printed circuit board. This table details the assigned function of each switch.

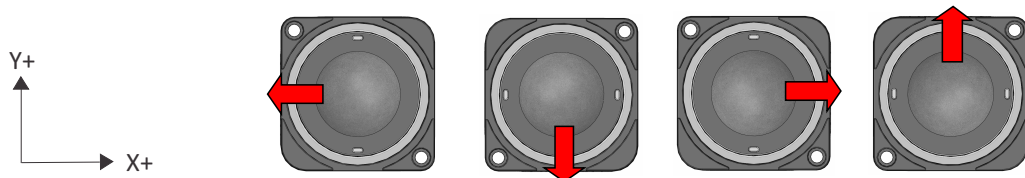
DIP Switch Functions

DIP Switch	Function	OFF	ON
1	Orientation 1 Setting	See Figure.1	See Figure.1
2	Orientation 2 Setting	See Figure.1	See Figure.1
3	Factory setting	N/A	N/A
4	Not used	N/A	N/A

Factory default setting: All DIP switches OFF

Orientation

The orientation function allows the user to mount the X25 trackball device in one of four positions (see figure. 1 below). The orientation of the device is determined by the direction in which the output connector is facing (when viewed from the top of Trackerball device). The trackball orientation can be selected to accommodate customer requirements for connector location and wiring.

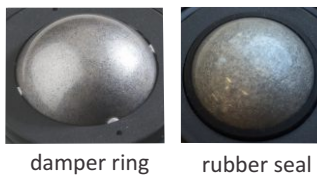


Switch 1 Orientation 1	Off	On	Off	On
Switch 2 Orientation 2	Off	Off	On	On

Figure.1 Mounting Orientations

ORDER INFO

OUTPUT	DAMPER RING	RUBBER SEAL
Quadrature	X25-70021D-K	X25-70022D-K
PS/2 & USB	X25-76021D-K	X25-76022D-K



Please add corresponding output cable to the X25 trackball module see page 3

MANUFACTURER

Cursor Controls Ltd, Brunel Drive,
Newark, U.K
Tel: ++44 (0) 1636 615600
Fax: ++44 (0) 1636 615601
Website : www.cursorcontrols.com
E-mail: sales@cursorcontrols.com



EUROPEAN SALES & SERVICE CENTER

NSI bvba, Haakstraat 1A,
B-3740 Bilzen, Belgium
Tel. : +32 89 51 90 00
Fax : +32 89 91 90 09
Website : www.nsi-be.com
E-mail : info@nsi-be.com

