

## Single Output 30 to 60W Medical & ITE Power Supplies

www.us.tdk-lambda.com/lp/products/cus-m-series  
www.emea.tdk-lambda.com/cus30\_60m



Medical



Industrial



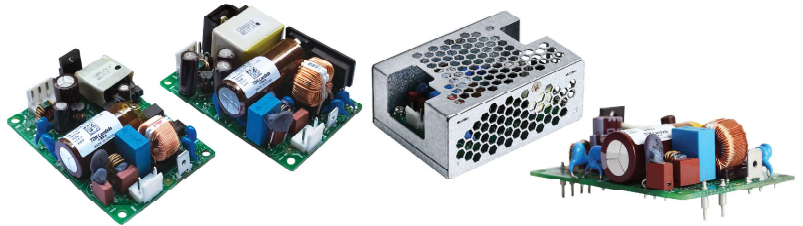
Test



COMM



Broadcast



The CUS30M and CUS60M are 2" x 3" footprint AC/DC power supplies with outputs ranging from 5V to 48V. They are certified to IEC60601-1 3rd edition (medical), IEC60950-1 and IEC60335-1 with compliance to EN60601-1-2:2015 Edition 4 immunity requirements. Rated at 30W and 60W, these compact products meet class B conducted and radiated EMI in either a Class I or Class II (double insulated) construction, without the need for external filtering.

### Features

- 30 to 60W Convection Cooled
- Medical Certification (2 x MoPP)
- Class B Conducted and Radiated EMI
- Suitable for Class I and II Installations
- Compact 2" x 3" Footprint
- Enclosure, Mounting and Connection Options

### Benefits

- Quiet Operation
- Suitable for B and BF Rated Equipment
- Easier System Compliance
- Flexible Utilisation
- Space Saving in End Equipment
- Versatile Application

### Model Selector

Model	Output Voltage (V)	Maximum Current (A)	Maximum Power (A)	Load Reg (mV)	Line Reg (mV)	Ripple Noise (mV) <sup>(1)</sup>	Efficiency (typ) % <sup>(2)</sup>	Average Active Efficiency (typ) % <sup>(2)</sup>
CUS60M-5	5	6	30	100	20	120	81 / 81	81 / 79.5
CUS30M-12	12	2.5	30	120	48	120	87 / 88	87 / 87
CUS60M-12	12	5	60	120	48	120	87 / 88	87 / 86
CUS30M-15	15	2	30	120	60	150	87 / 88	87 / 87
CUS60M-15	15	4	60	120	60	150	87.5 / 87	87 / 86.5
CUS30M-18	18	1.7	30.6	144	72	150	87 / 88	87 / 87
CUS60M-18	18	3.35	60.3	144	72	150	88 / 88	87 / 87
CUS30M-24	24	1.25	30	192	96	150	88 / 90	87 / 87
CUS60M-24	24	2.5	60	192	96	150	89 / 90	88 / 87
CUS30M-36	36	0.84	30.24	288	144	200	88 / 90	88 / 89
CUS30M-48	48	0.63	30.24	384	192	200	88 / 90	88 / 89
CUS60M-48	48	1.25	60	384	192	200	90 / 91	90 / 89

### Options

Suffix	Description
Blank	Open frame, JST connectors
/A	Cover, JST connectors. See website for derating
/CO	Open frame, JST connectors, pcb coating
/M	Open frame, Molex 5195-03 & -04 mating connectors
/P	Open frame, JST connectors, Pcb mount
/SF	Open frame, JST connectors, single fuse, (Line only)

Specifications			
Model		CUS30M	CUS60M
<b>Input</b>			
Input Voltage range	V	85 - 265VAC (3)	
Input Frequency	Hz	47 - 63Hz	
Input Current (115/230VAC)	A	0.6 / 0.4	5V: 0.7 / 0.5, 12-48V: 1.2 / 0.8
Inrush Current (typ) (Cold Start)	A	30A at 115VAC, 60A at 230VAC	
Leakage Current	µA	<250µA at 265VAC, 60Hz	<200µA at 265VAC, 60Hz
Touch Current	µA	100µA at 265VAC, 60Hz	60µA at 265VAC, 60Hz
Harmonic Compliance	-	Meets EN61000-3-2	
No Load Power Consumption	W	<0.3W at nominal	<0.5W at nominal
Hold Up Time (typ) at 115VAC Input	ms	20 / 100	
Efficiency	-	See model selector	
Average Efficiency	-	See model selector. Measured at 25%, 50%, 75% and 100% load conditions	
Conducted & Radiated EMI	-	EN55011-B, EN55032-B, FCC Class B	
Immunity	-	IEC61000-4-2~8, IEC60601-1-2 Ed4. See immunity table	
Insulation Class	-	Construction suitable for Class I or Class II installation	
Safety Agency Certifications	-	EN/IEC/UL/ES/CSA60601-1, EN/IEC/UL/CSA60950-1, IEC60335-1, CE Mark	

Immunity				
Test	Standard	Test Level	Criteria	Notes
ESD	EN61000-4-2	3 & 4	A	Level 4 contact discharge only
Radiated Susceptibility	EN61000-4-3	3	A	-
Electrical Fast Transient Burst	EN61000-4-4	3	A	-
Surge	EN61000-4-5	3 & 4	A	Level 4 common mode only
Conducted Susceptibility	EN61000-4-6	3	A	-
Magnetic fields	EN61000-4-8	4	A	-
Voltage Dips	EN61000-4-11	Class 3	B	100 - 120VAC
			A	200 - 240VAC
Short Interruptions	EN61000-4-11	Class 3	B	-
Voltage Dips	EN60601-1-2:2015	Class 2	B	100 - 120VAC
			A	200 - 240VAC
Short Interruptions	EN60601-1-2:2015	Class 2	B	-
SEMI F47 Line Dip	SEMI F47	-	-	At input voltages > 200VAC

Specifications			
Model		CUS30M	CUS60M
<b>Output</b>			
Line Regulation	mV	See model selector	
Load Regulation	mV	See model selector	
Ripple & Noise	mV	See model selector	
Temperature Coefficient	%/°C	<0.02%/°C	
Minimum Load	-	No minimum load required	
Overcurrent Protection	A	>105% of rated current. Class 2 Limited Power Source (4)	
Overvoltage Protection (5)	V	> 115% of nominal output	>120% of nominal output
Remote Sense	-	No	
Indicators	-	None	
Parallel Operation	-	Not possible	
Series Operation	-	Possible, see installation manual	
<b>Environmental</b>			
Operating Temperature (-30°C start-up)	°C	-20 to +70°C. Derate linearly to 50% load from +50 to +70°C (6)	
Storage Temperature	°C	-40° to +85°C	
Humidity (non condensing)	%RH	10 - 90%RH (Operating & Storage)	
Cooling	-	Convection	
Altitude	m	5,000m, derate operating ambient by 5°C/1000m above 3,000m	
Withstand Voltage (For 1 minute)	VAC	Input to Ground 2kVAC (1xMOPP), Input to Output 4kVAC (2xMOPPs), Output to Ground 1.5kVAC (1xMOPP) suitable for B & BF rated equipment	
Isolation Resistance	MΩ	>100MΩ at 25°C, 70%RH & 500VDC Output to Ground	
Vibration (Non Operating)	-	10 - 500Hz: 19.6m/s <sup>2</sup> constant sweep 1 min X, Y, Z for 1 hour	
Shock	-	< 196.1 m/s <sup>2</sup>	
<b>Other</b>			
Size (WxLxH)	mm	50.8 x 76.2 x 24.2	50.8 x 76.2 x 26.7
Size (WxLxH)	Inches	2 x 3 x 0.95	2 x 3 x 1.05
Connectors (JST)	-	Input (CN1): B2P3-VH(LF)(SN) (Mates with VHR-3N housing). Output (CN-51): B4P-VH(LF)(SN) (Mates with VHR-4N)	
MTBF - Telcordia SR-332 issue 3 (7)	Hours	9,960,323	7,084,410
Warranty	yrs	3 years	

#### Notes

See website for detailed specifications, test methods and installation manual

See installation manual for terminal pin and hand tool information

(1) Ripple level increases at light loading to meet new efficiency standards

(2) 115/230VAC. Average efficiency measured at 25, 50, 75 and 100% load

(3) CUS30M: Derate linearly to 80% load from 115VAC to 85VAC. CUS60M-12, 18 & 48: Derate linearly to 80% load from 100VAC to 85VAC. CUS60M-15 derate linearly to 60% load from 100Vac

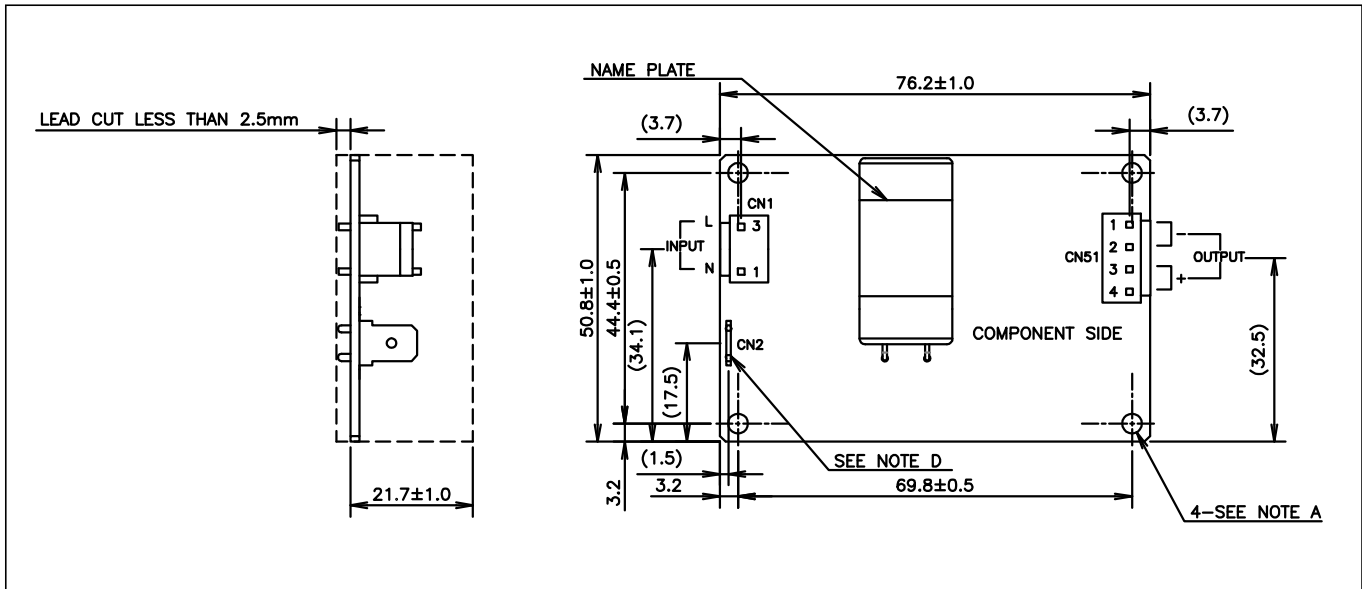
(4) All models except CUS60M-5

(5) Shutdown Cycle AC input to reset

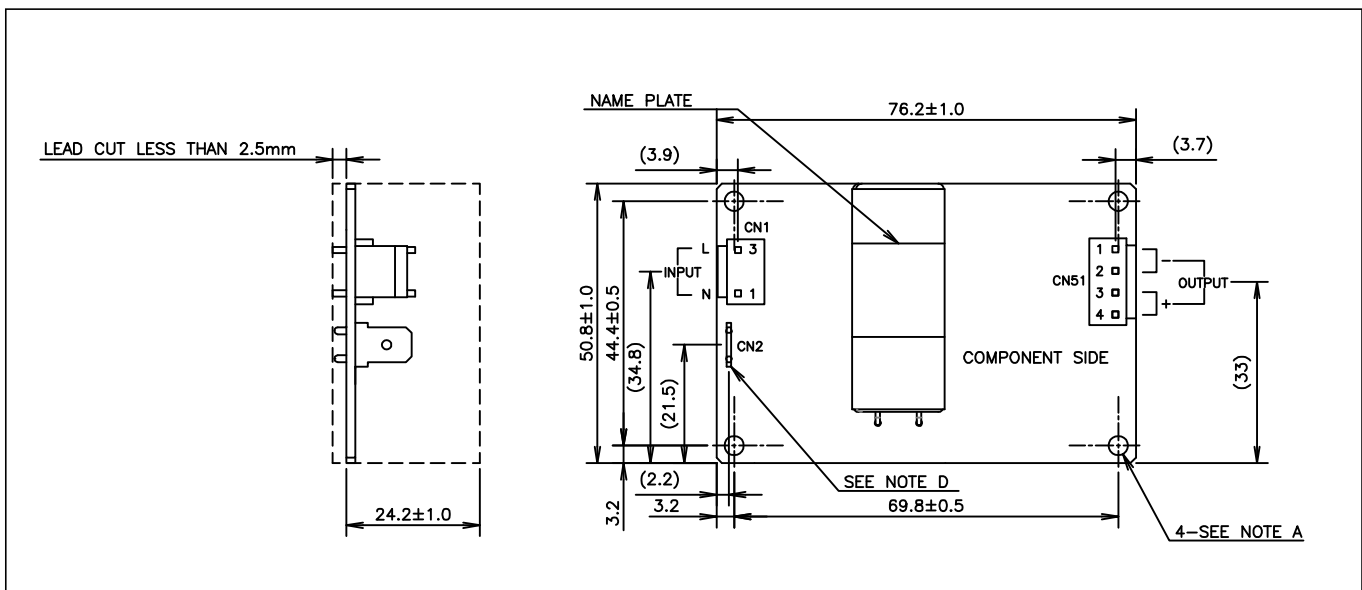
(6) CUS30M-18, 48 and CUS60M-12: Derate linearly to 50% load from +45 to +70°C. CUS60M-15: 50% load from +40 to +70°C. Models with /A cover have additional derating, see website.

(7) 24V output model, 25°C ambient, full load, 230VAC input

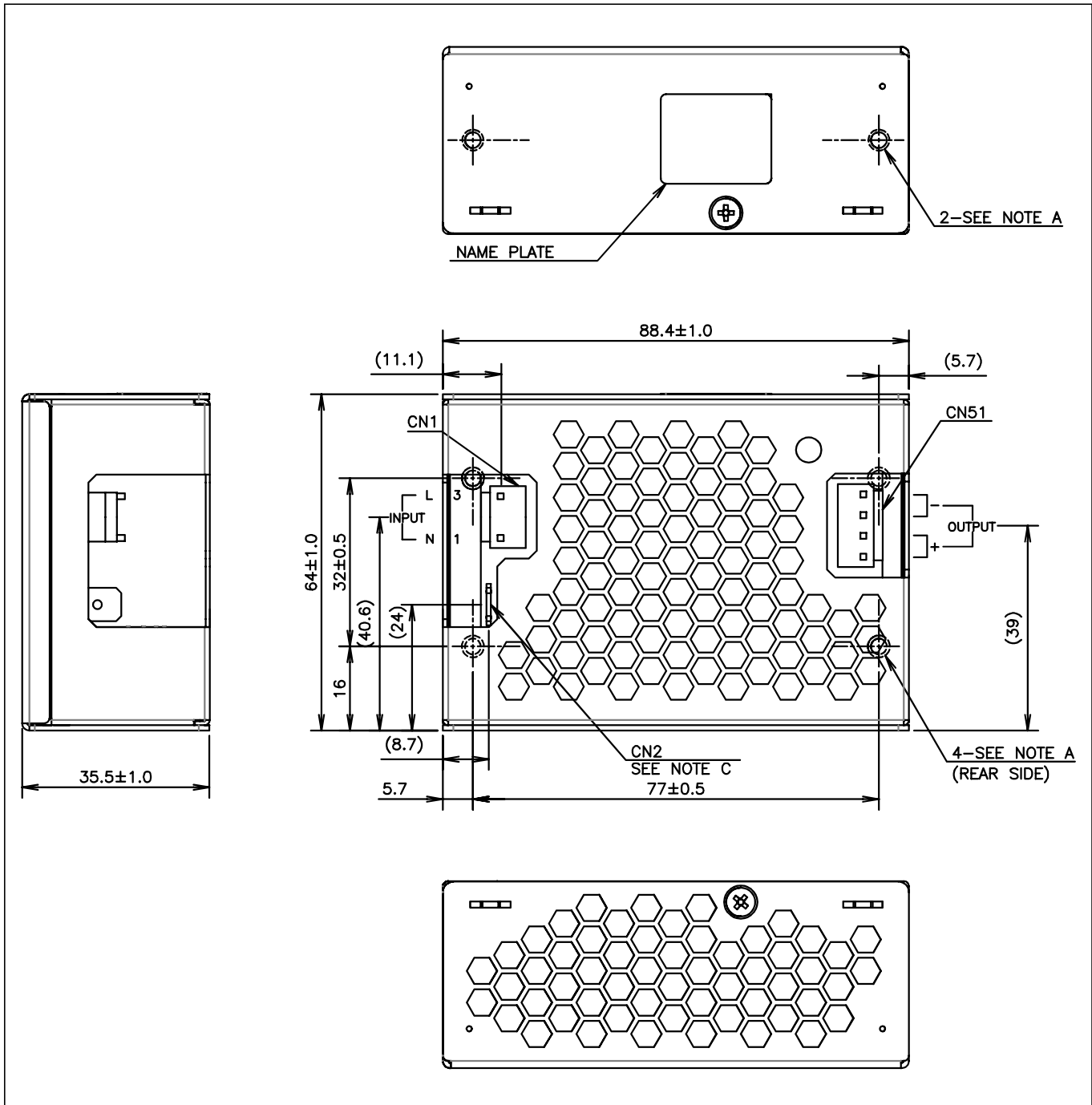
Outline Drawing CUS30M Series (Open Frame)



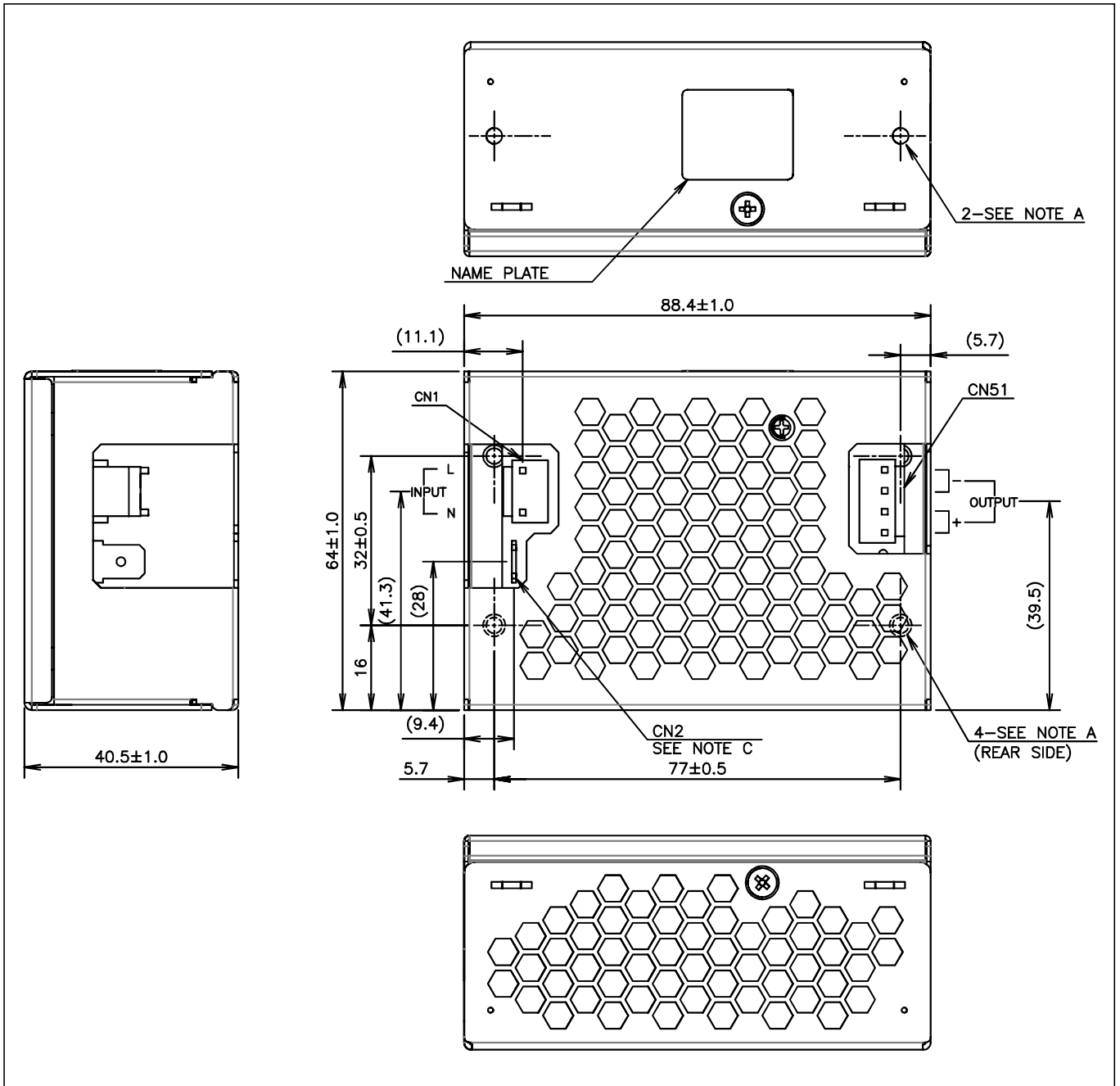
Outline Drawing CUS60M Series (Open Frame)



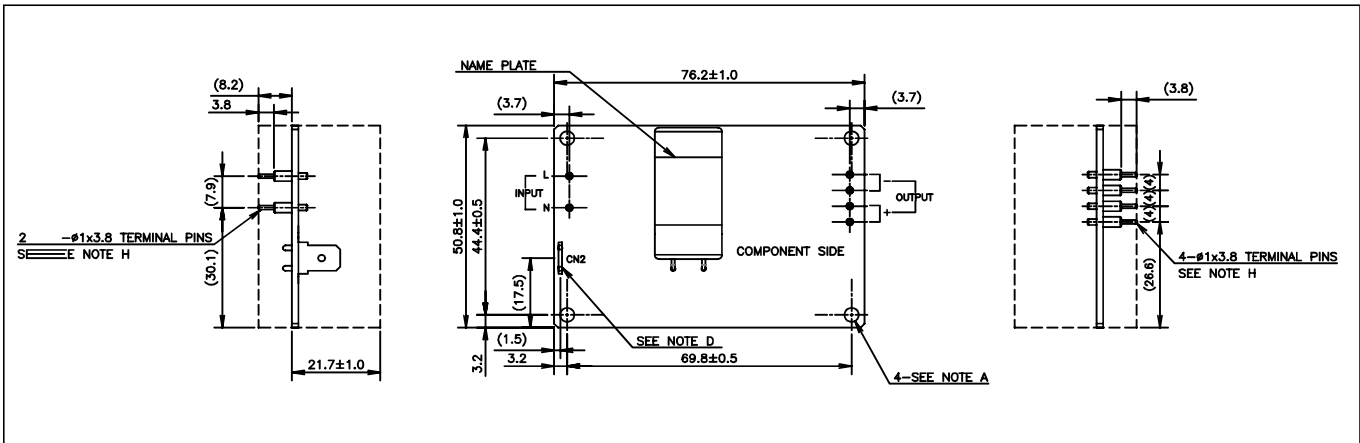
## Outline Drawing CUS30M Series (Enclosed /A)



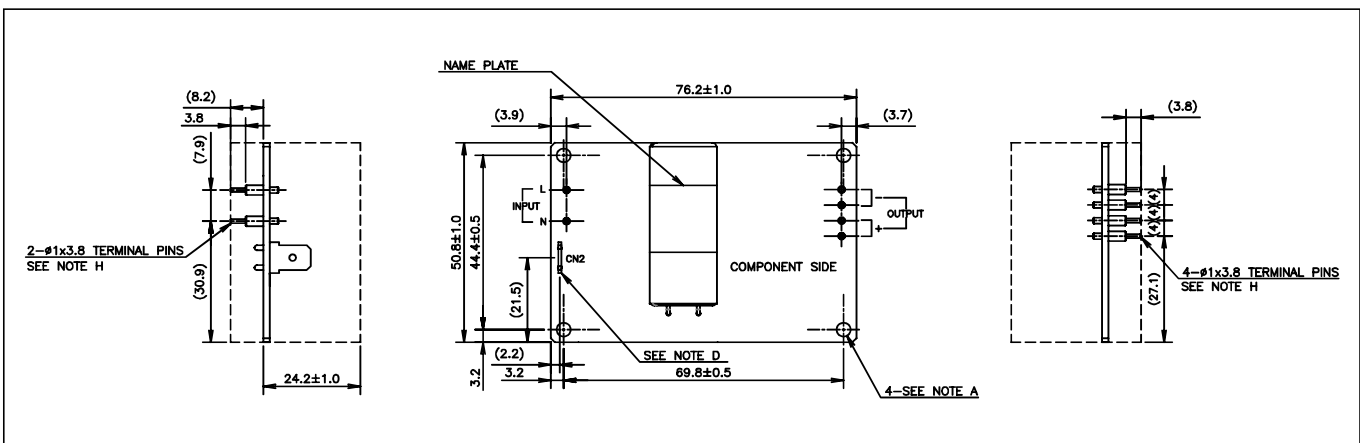
## Outline Drawing CUS60M Series (Enclosed /A)



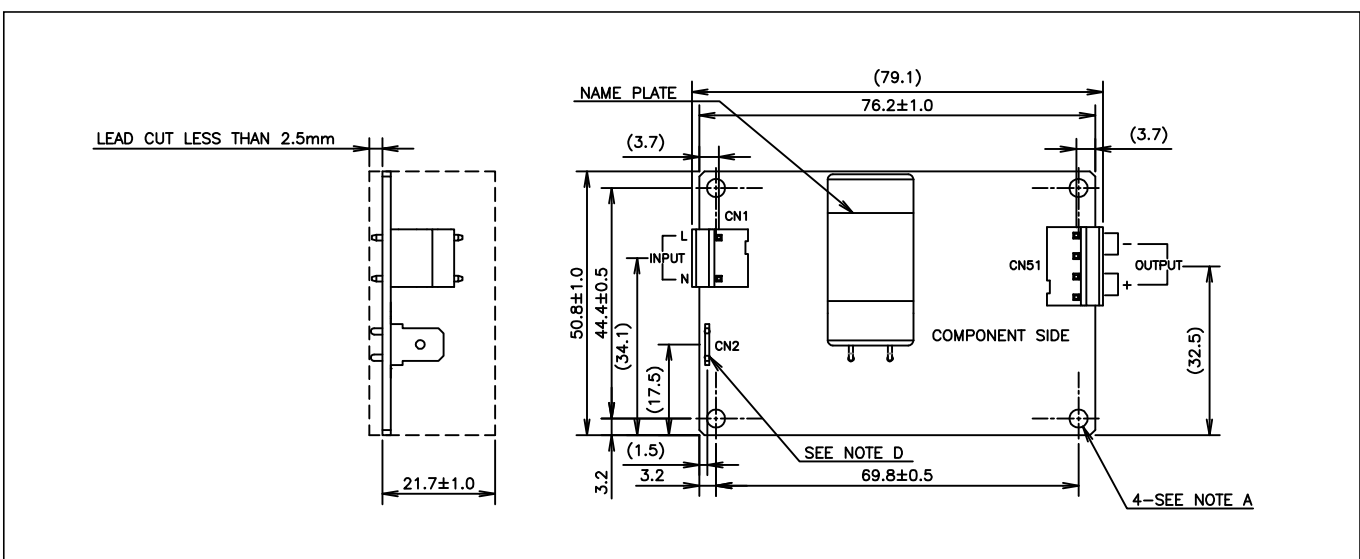
## Outline Drawing CUS30M Series (PCB Mount /P)



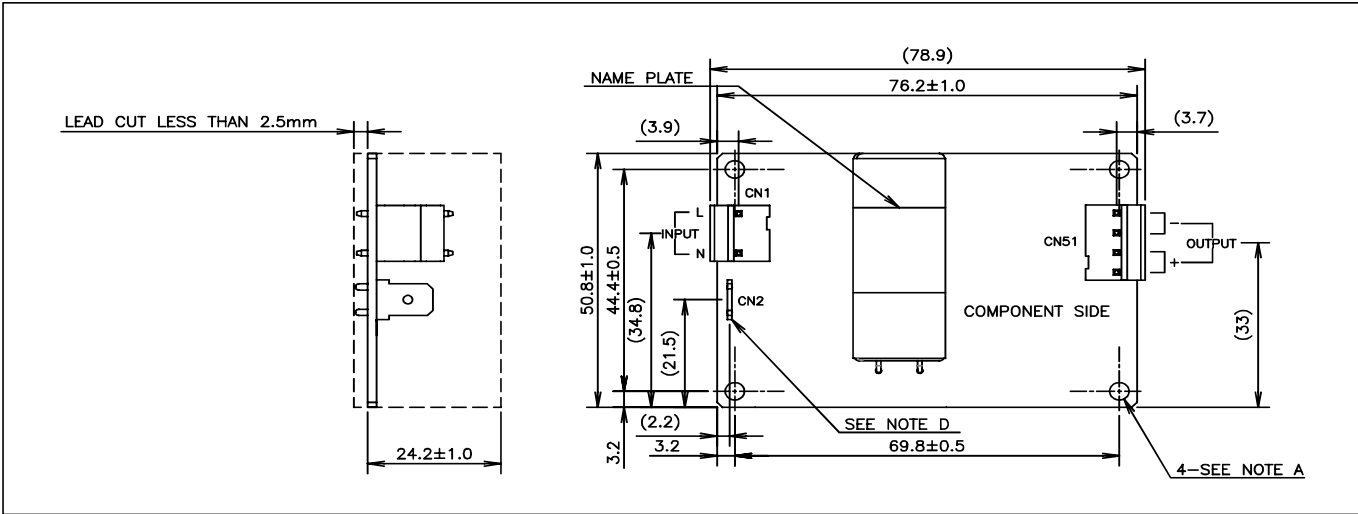
## Outline Drawing CUS60M Series (PCB Mount /P)



## Outline Drawing CUS30M Series (Molex /M)



**Outline Drawing CUS60M Series (Molex /M)**







## TDK-Lambda France SAS

Tel: +33 1 60 12 71 65  
france@fr.tdk-lambda.com  
www.emea.lambda.tdk.com/fr



## Italy Sales Office

Tel: +39 02 61 29 38 63  
info.italia@it.tdk-lambda.com  
www.emea.lambda.tdk.com/it



## Netherlands

info@nl.tdk-lambda.com  
www.emea.lambda.tdk.com/nl



## TDK-Lambda Germany GmbH

Tel: +49 7841 666 0  
info.germany@de.tdk-lambda.com  
www.emea.lambda.tdk.com/de



## Austria Sales Office

Tel: +43 2256 655 84  
info@at.tdk-lambda.com  
www.emea.lambda.tdk.com/at



## Switzerland Sales Office

Tel: +41 44 850 53 53  
info@ch.tdk-lambda.com  
www.emea.lambda.tdk.com/ch



## Nordic Sales Office

Tel: +45 8853 8086  
info@dk.tdk-lambda.com  
www.emea.lambda.tdk.com/dk



## TDK-Lambda UK Ltd.

Tel: +44 (0) 12 71 85 66 66  
powersolutions@uk.tdk-lambda.com  
www.emea.lambda.tdk.com/uk



## TDK-Lambda Ltd.

Tel: +9 723 902 4333  
info@tdk-lambda.co.il  
www.emea.lambda.tdk.com/il



## C.I.S.

### Commercial Support:

Tel: +7 (495) 665 2627

### Technical Support:

Tel: +7 (812) 658 0463  
info@tdk-lambda.ru  
www.emea.lambda.tdk.com/ru



## TDK-Lambda Americas

Tel: +1 800-LAMBDA-4 or 1-800-526-2324  
powersolutions@us.tdk-lambda.com  
www.us.lambda.tdk.com



## TDK Electronics do Brasil Ltda

Tel: +55 11 3289-9599  
sales.br@tdk-electronics.tdk.com  
www.tdk-electronics.tdk.com/en



## TDK-Lambda Corporation

Tel: +81-3-6778-1113  
www.jp.lambda.tdk.com



## Wuxi TDK-Lambda Electronics Co. Ltd.

Tel: +86 21 6485-0777  
powersolutions@cn.tdk-lambda.com  
www.lambda.tdk.com.cn



## TDK-Lambda Singapore Pte Ltd.

Tel: +65 6251 7211  
tfs.mkt@sg.tdk-lambda.com  
www.sg.lambda.tdk.com



## TDK India Private Limited, Power Supply Division

Tel: +91 80 4039-0660  
mathew.philip@in.tdk-lambda.com  
www.sg.lambda.tdk.com