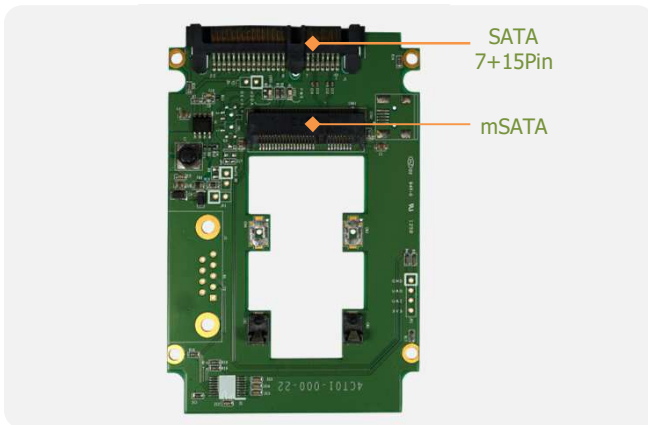


E2SS-0101

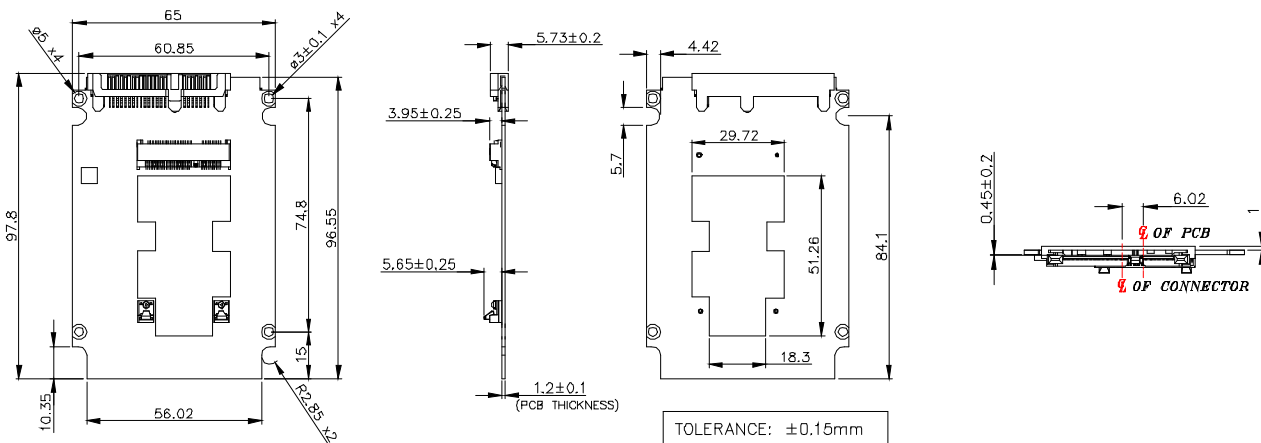
mSATA to SATA Module



Features

- SATA III compliant
- SATA to mSATA pass-through design
- Industrial temperature -40 °C to 85 °C
- 3-year warranty
- Industrial design, manufactured in innodisk Taiwan

Mechanical Drawing



Specifications

Headquarters (Taiwan)

5F., No. 237, Sec. 1, Datong Rd.,
Xizhi Dist., New Taipei City 221,
Taiwan
Tel: +886-2-77033000
Email: sales@innodisk.com

Branch Offices:

USA

usasales@innodisk.com
+1-510-770-9421

Europe

eusales@innodisk.com
+31-40-3045-400

Japan

jpsales@innodisk.com
+81-3-6667-0161

China

sales_cn@innodisk.com
+86-755-21673689

Form-Factor	2.5"
Input I/F	SATA III
Output I/F	SATA III
Output Connector	mSATA x 1
Dimension (WxLxH)	65 x 96.55 x 5.73mm
Temperature	Operation: -40°C ~ +85°C Storage: -55°C ~ +95°C
Environment	Vibration: 5G @7~2000Hz, Shock: 50G @ 0.5ms
Notes	

www.innodisk.com

© 2017 Innodisk Corporation.
All right reserved. Specifications
are subject to change without
prior notice.

April 27, 2021

Order information

E2SS-0101-C1
mSATA to SATA Module, Wide Temp.