

---

## **LX3V-16EYRT**

last modified by admin

on 2022/06/08 14:42

---

# Table of Contents

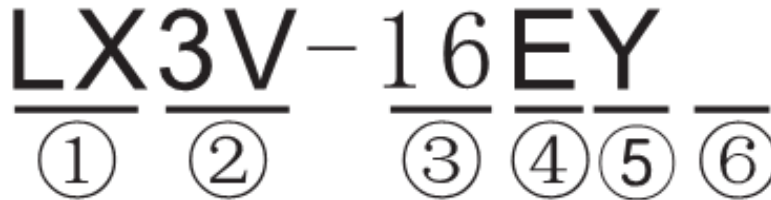
1 General .....	3
2 Naming rule .....	3
3 Dimensions .....	3
3.1 Crimp terminations .....	4
4 Output specification .....	4

# 1 General

This manual is applied to LX3V-8EY and LX3V-16EY digital output expansion modules.

## 2 Naming rule

Naming rule of LX3V I/O output expansion module:

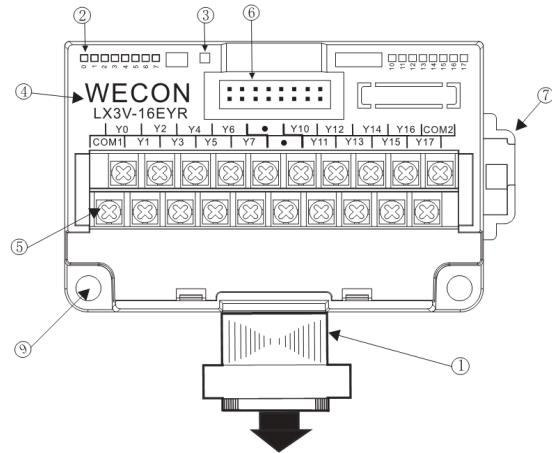
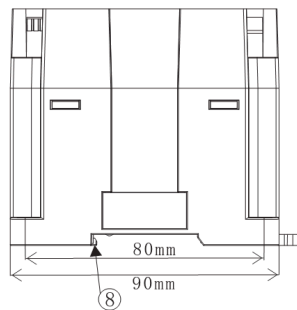
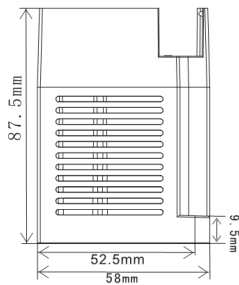


1. WECON PLC;
2. Main module;
3. Expansion module;
4. Product type, E means expansion;
5. Expansion output(Y);
6. T: transistor, R: relay;

## 3 Dimensions

Weight: Approx 0.3kg (0.661bs)

Dimensions: mm

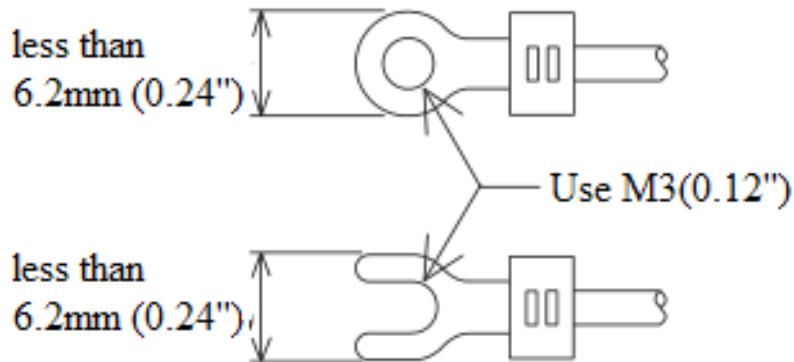


1. Extension cable and connector
2. State LED: Light when normal condition

3. Power LED: Light when connect to 24V
4. Module name
5. digital signal output terminal
6. Extension module interface
7. DIN rail mounting slot
8. DIN rail hook
9. Mounting holes ( $\phi 4.5$ )

### 3.1 Crimp terminations

- Please use crimp terminals as indicated on the graph.
- The tightening torque should be applied 5 to 8 Kg.cm.
- Other terminals should be empty but only wiring terminals mention in this manual.



## 4 Output specification

Item		Relay output LX3V-16EYR	Transistor output LX3V-16EYT
Mode			
Output circuit			
Load power supply		Less than AC250V or DC 30V	DC 5V~ 30V
Circuit insulation		Mechanical	Photo-coupling
LED		Light when relay is energized	Light when photo-coupling is energized
Load	Resistance	2A/ point 8A/ four points 8A/ eight points	0.5A/ point 0.8A/ four points 1.6A/ eight points
	Inductance	80VA	12W/DC24V
	Lamp	100W	1.5W/DC24V
Leakage current		--	0.1mA/ DC 30V
Minimum load		--	DC 5V 2mA

## Digital I/O - LX3V-16EYRT

---

OFF->ON  
ON-> OFF

About 10ms  
About 10ms

Less than 0.2ms  
Less than 0.2ms