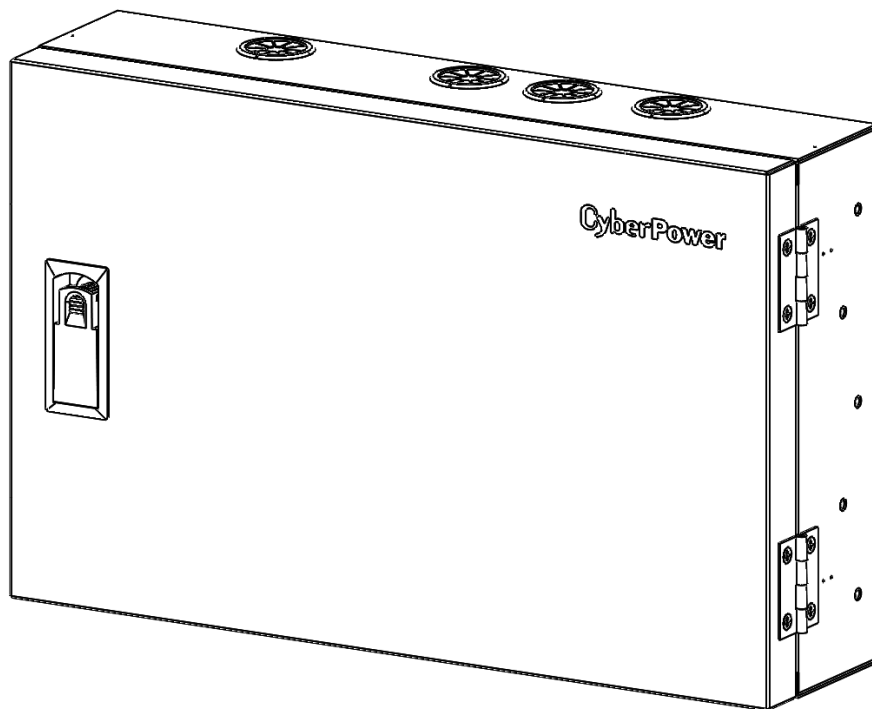


CyberPower

Installation Manual

MBS63AHVHWW



CyberPower Systems Inc.

www.cyberpower.com

Contents

1. Package Contents.....	1
2. MBS Configuration.....	1
3. Fixing the MBS.....	2
3-1. Wall-Mount Procedure.....	2
3-2. Rack-Mount Procedure.....	2
4. Making Connections.....	3
4-1. Power Cables Connect.....	3
4-2. Dry Contact Wire Connect (Option)	4
5. Specification	5
5-1. Environmental Characteristics	5
5-2. Mechanical Characteristics.....	5
5.3 Electrical Characteristics	6
6 Contacts	6

1. Package Contents

Table. 1 The MBS package should contain the following items:

Quantity	Item
1 PCS	MBS
2 PCS	Ear bracket
10 PCS	M5*7mm Flat Screw
1 PCS	MBS Installation Manual

2. MBS Configuration

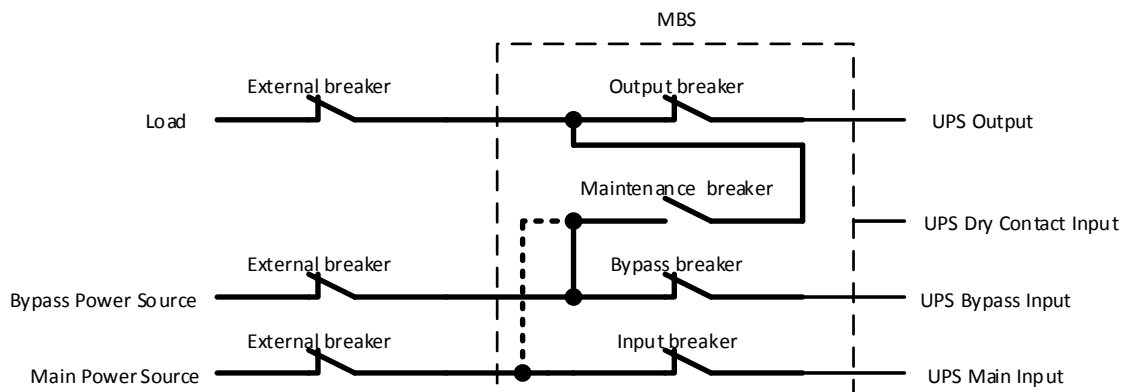


Fig. 1 The normal positions of the MBS breakers

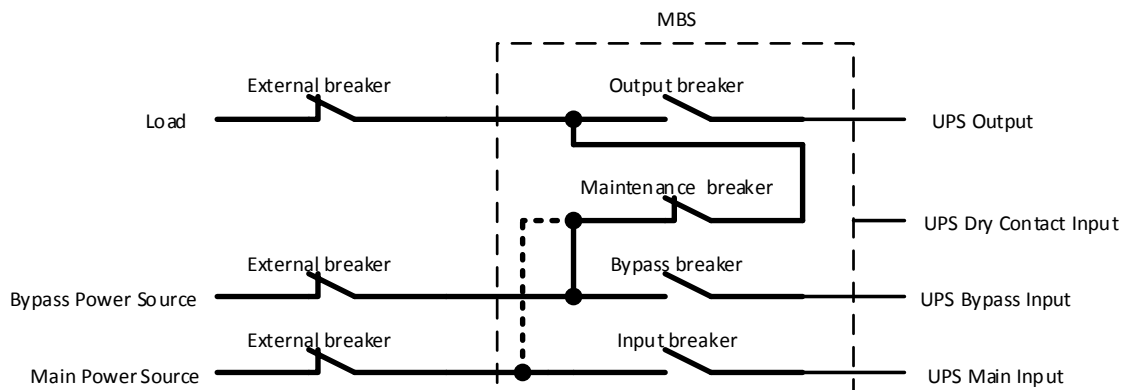


Fig. 2 The service positions of the MBS breakers (Have to remove maintenance cover)

Table. 2 MBS Breaker specification

Input Breaker	Bypass Breaker	Maintenance Breaker	Output Breaker	Wire Size
400 Vac	400 Vac	400 Vac	400 Vac	8 AWG
3 Phase	3 Phase	3 Phase	3 Phase	
63A	63A	63A	63A	
6 kA	6 kA	6 kA	6 kA	
4 Pole	3 Pole	3 Pole	4 Pole	

3. Fixing the MBS

3-1. Wall-Mount Procedure

See Fig. 2

Step1. Unscrew and remove the inner panel on the MBS.

Step2. Choose a location in the wall for the MBS and then install the MBS on your wall using the screws . (Metric M6 self-tapping screws, 2/8" expansion screws and wood screws No.12 are recommended)

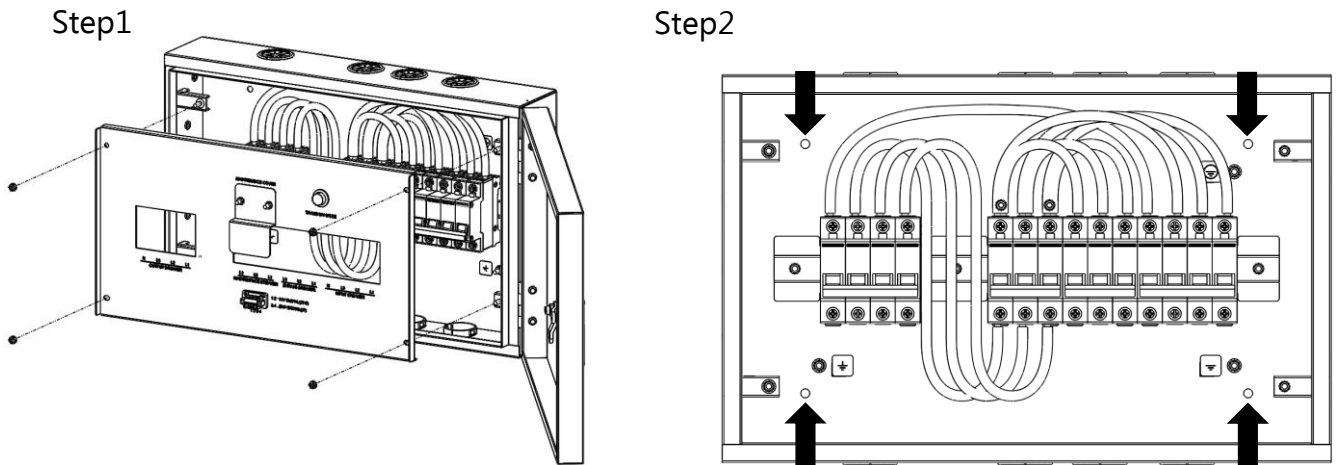


Fig. 2

3-2. Rack-Mount Procedure

See Fig. 3

Step1. Attach the mounting ear brackets to the MBS using the M5*7mm screws that came with the ear brackets.

Step2. Choose a location in the rack for the MBS and then install the MBS on your rack using the screws and cage nuts.

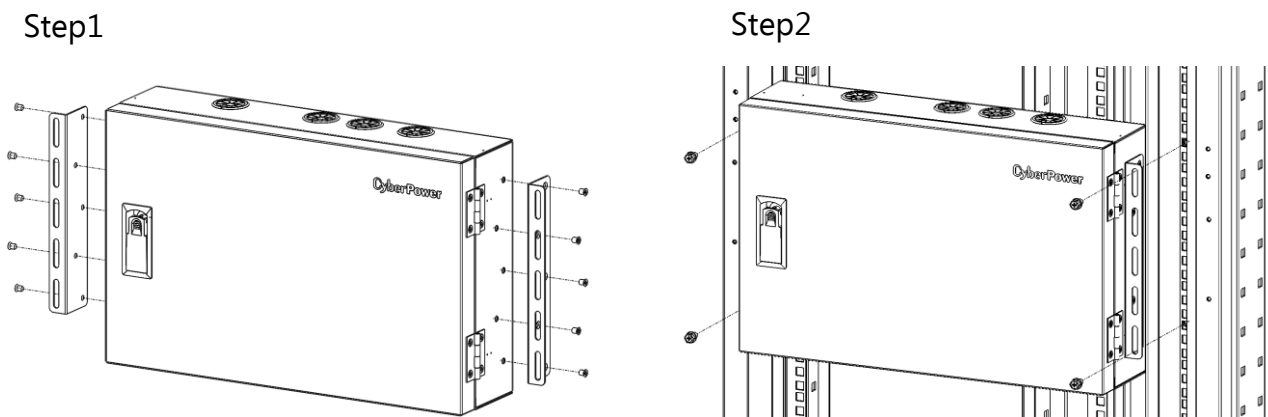


Fig. 3

4. Making Connections

4-1. Power Cables Connect

See Fig. 4

Step1. Switch off the external breaker and power off the UPS unit. Make sure that there is no power.

Step2. Unscrew and remove the inner panel on the MBS.

Step3. Insert the power cables through the black bushing and then insert the leads of the power cables into the Terminal of MCB and fasten screws of MCB.

Step4. Ground Wire Connect.

Step5. Screw the inner panel on the MBS.

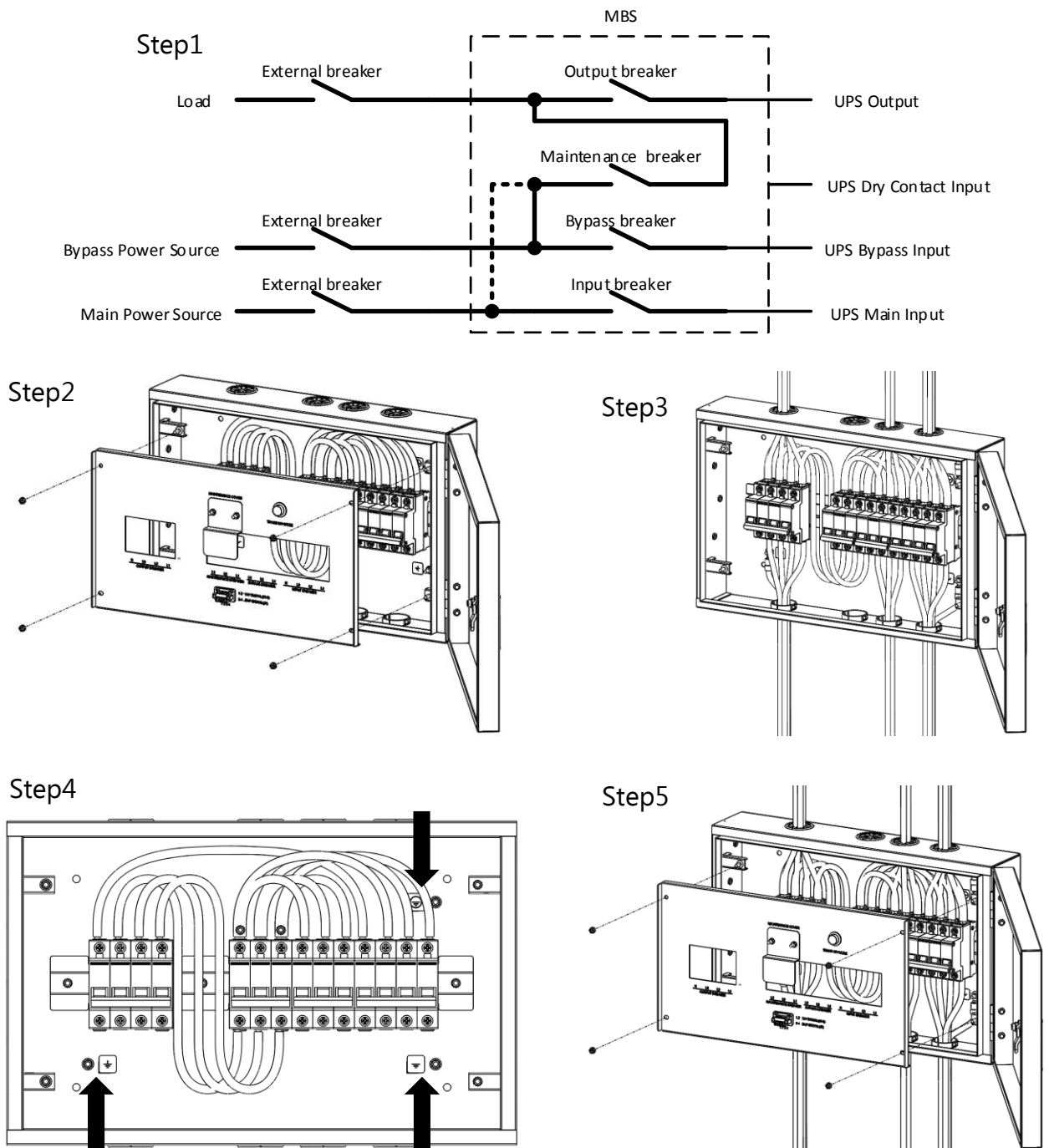


Fig. 4

4-2. Dry Contact Wire Connect (Option)

See Fig. 5

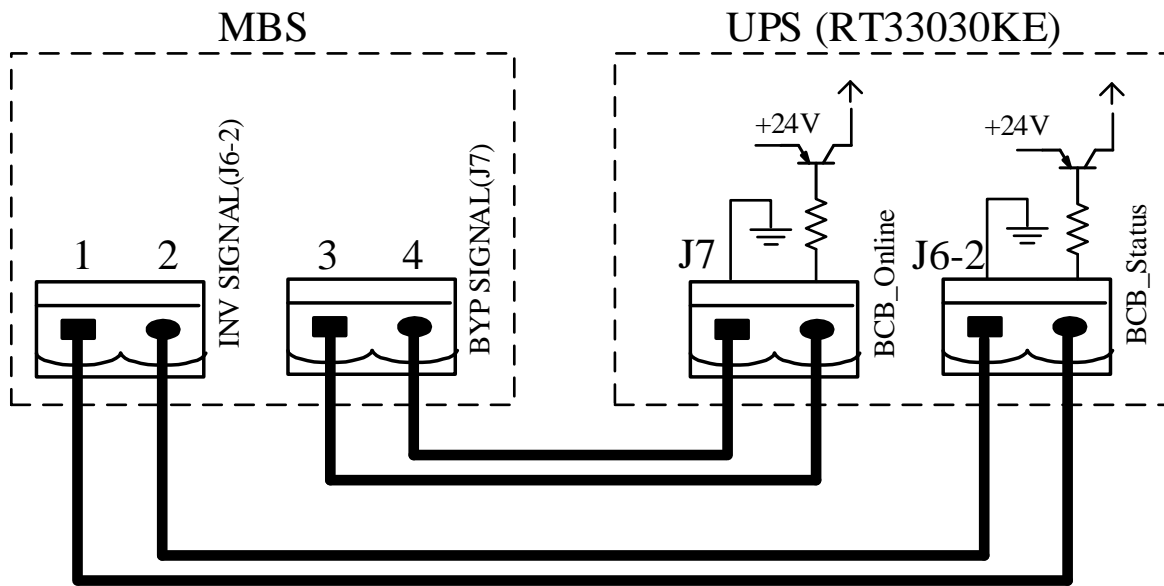


Fig. 5

5. Specification

5-1. Environmental Characteristics

Table. 3 Environmental Properties

Items	Unit	Requirements
Acoustic noise level at 1 meter	dB	56.0(power module)
Operating Elevation	m	≤1000m Load De-rated 1% per 100m from 1000m and 2000m
Operating Relative Humidity	%RH	0 ~ 95%, non-condensing
Operating Temperature	°C	0 ~ 40
Storage Temperature	°C	40 ~70

5-2. Mechanical Characteristics

Table. 4 Mechanical Properties

Items	Unit	MBS63AHVHWW
Physical		
Dimension, WxDxH	mm	440 x 280 x 110
Weight	kg	7.1
Enclosure Construction		Metal
Color	N/A	Black
Installation		Horizontal Rack mount, Wall mount
Installation Attached to Rack/Tower		Yes
Shipping		
Dimension, WxDxH	mm	570 x 204 x 360
Weight	kg	8.7

5.3 Electrical Characteristics

Table. 5 Input

Items	Unit	Parameter
Input voltage range	Vac	380 ~ 415
Rated Input Current	A	63

6 Contacts

If you have technical problems concerning our products, contact your installer or CyberPower. During inquiring, please provide below information:

1. Model Name
2. Serial Number
3. Detailed Error Description

Cyber Power Systems, Inc.
www.cyberpower.com

Note

CyberPower
www.CyberPower.com

K01-0000767-00