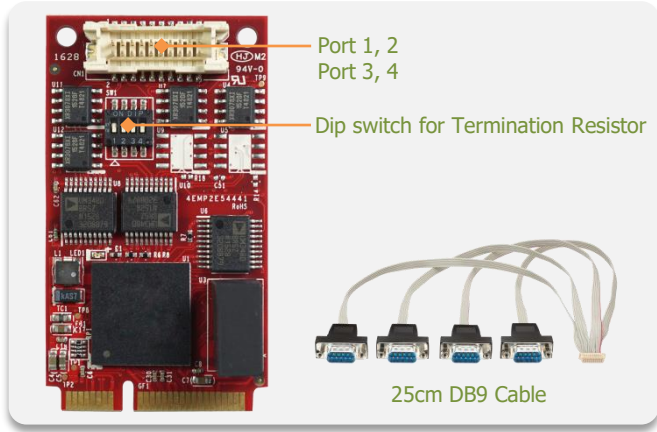


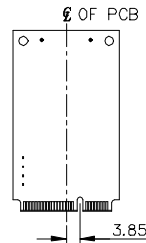
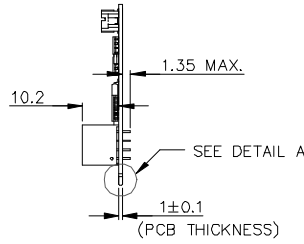
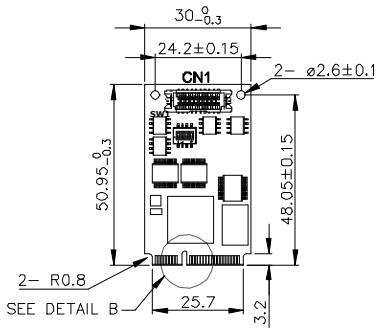
EMP2-X4S1 mPCIe to four Isolated RS-485 Module



Features

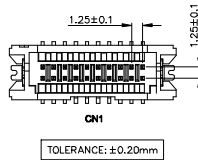
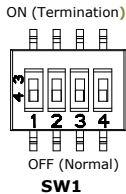
- PCI-Express specification Rev. 2.0 compliant
- 4800 to 3Mbps serial data rate. 16C550 compatible. 256-byte FIFOs
- Supports port-to-computer isolation, complies with IEC 60950-1:2005 + A1: 2009 + A2:2013 2.5kV HiPOT protection
- Complies with EN61000-4-2 (ESD) Air-15kV, Contact-8kV
- Termination Resistor by switch setting
- Industrial temperature(-40 °C to 85 °C) operation
- 30μ " golden finger, 3 years warranty

Mechanical Drawing



Pin Assignment

Pin	RS-485 Half duplex
1	
2	D+
3	
4	
5	GND
6	
7	
8	D-
9	



Specifications

Headquarters (Taiwan)
5F., No.237, Sec. 1, Datong Rd.,
Xizhi Dist., New Taipei City 221,
Taiwan

Tel: +886-2-7703-3000
Email: sales@innodisk.com

Branch Offices:

USA
usasales@innodisk.com
+1-510-770-9421

Europe
eusales@innodisk.com
+31-40-3045-400

Japan
jpsales@innodisk.com
+81-3-6667-0161

China
sales_cn@innodisk.com
+86-755-21673689

www.innodisk.com

© 2017 Innodisk Corporation.
All right reserved. Specifications
are subject to change without
prior notice.

November 21, 2022

Form-Factor	mPCIe
Input I/F	PCI Express 2.0
Output I/F	RS-485
Output Connector	DB-9 x 4
TDP	0.46W (3.3V x 140mA)
Dimension (WxLxH)	30 x 50.9 x 12.55 mm
Temperature	Operation: W/T: -40°C ~ +85°C Storage: -55°C ~ +95°C
Environment	Vibration: 5G @7~2000Hz, Shock: 50G @ 0.5ms
Notes	Please download driver from MyInnodisk website. Windows: XP(32 bit), 7(32/64 bit), 8/8.1(32/64 bit), 10, WES7, CE7.0 Linux: Kernel 2.6.x and above.(We can provide Linux source for modification.)

Order information

EMP2-X4S1-W1(Wide Temp.)
mPCIe to four Isolated RS-485 Module