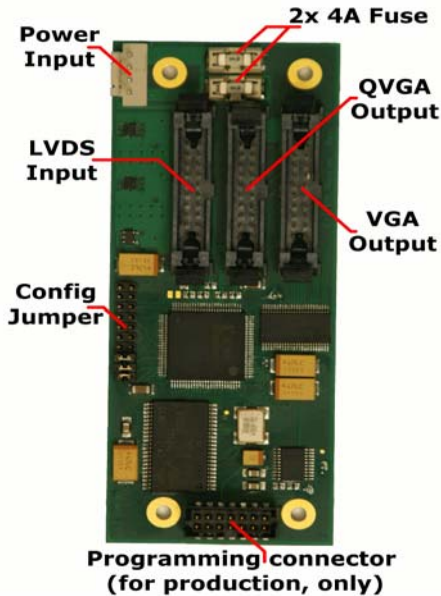


# EL LVDS Adapter



**Able Design's LVDS Adapter for Planar TFEL displays enables connection with an LVDS interface.**

*TFEL panel can be connected directly to the LVDS adapter with 20-pin one-to-one cable. LVDS adapter jumpers allow the choice of display model to be used.*

*The adapter is ideal for use in industrial, medical, transportation, military, public safety and other demanding applications.*

<p><b><u>LVDS Adapter</u></b></p> <p><b><u>Supported displays:</u></b></p> <ul style="list-style-type: none"> <li>• EL320.240.36</li> <li>• EL640.480-AF1</li> <li>• EL640.480-AG1</li> <li>• EL640.480-AM1</li> <li>• EL640.480-AM8</li> </ul>	<p><b><u>Technical Specifications:</u></b></p> <p><b><u>Mechanical and environment</u></b></p> <p><b>Dimensions:</b> 100.5 mm x 40.5 mm</p> <p><b>Power:</b> + 5 Vdc (+/- 5%), 0.2 A</p> <p><b>Temperature:</b> Operating: -40 °C to +85 °C Storage: 40 °C to +85 °C</p> <p><b>Relative humidity:</b> 0% -90%, non-condensing</p>	
<p><b><u>Ordering Information:</u></b></p> <p><b>Able Design product name:</b> EL-LVDS-Receiver</p> <p><b>Planar part number:</b> 997-5315-00LF</p> <p><b>Description:</b> Able Design LVDS-adapter for TFEL-displays</p>	<p><b><u>Input timing:</u></b></p> <p><b>Resolution:</b> 640 x 480 pixels</p> <p><b>Refresh rate:</b> 50 Hz– 85 Hz</p> <p><b>Pixel clock:</b> 21 MHz – 40 MHz</p> <p><b>Horizontal:</b> 680 -1280 pixels</p> <p><b>Vertical:</b> 486 – 960 lines</p> <p><b>LVDS:</b> 18/24 Bit (Vesa/Jeida)</p> <p><b>Modes:</b> DE-mode support</p> <p><b>Warranty:</b> 1 year from date of purchase</p>	
<p>European Headquarters Planar System, Inc Olarinluoma 9, P.O.Box 46 FI-02201 Espoo, Finland Phone +358 9 4200 1 Fax: +358 9 4200 200 Email: sales.ops@planar.com</p>	<p><a href="http://www.planar.com">www.planar.com</a></p> <p><a href="http://www.planarembdedded.com">www.planarembdedded.com</a></p>	
<p>@ 2009, Planar Systems, Inc. Planar is a registered trademark of Planar Systems, Inc. Technical information in this document is subject to change without notice. Please consult your account manager for up to date and/or custom configurations. April 23, 2009</p>		