

EL640.480-AF LVDS

Operation Manual



Table of contents:

1	EL640.480-AF LVDS display	3
1.1	Features and benefits	3
1.2	Options	3
2	Installation and handling	4
2.1	Mounting	4
2.2	Cleaning	4
2.3	Cable length	5
2.4	Avoiding burn-in	5
3	Specifications	5
3.1	Control basics	5
3.2	Power	5
3.3	Connectors	7
3.3.1	Video/power connector	7
3.3.2	Dimming connector	8
3.4	Interfacing	8
3.4.1	Data packing	8
3.4.2	Video input data timing diagrams	9
3.4.3	Timing chart and specifications	11
3.4.4	Dip switch settings	13
3.5	Self-test	14
3.6	Optical	15
3.7	Dimming	15
3.8	Reliability	17
3.9	Safety and EMI	17
3.10	Environmental	17
3.11	Mechanical characteristics	18
3.12	Component envelope	19
4	Description of warranty	21
5	Ordering information	22
6	Support and service	22
7	RoHS II	22

1 EL640.480-AF LVDS display

This manual describes the Beneq ICEBrite™ EL640.480-AF LVDS (Low Voltage Differential Signaling) display. This 6.4" diagonal VGA resolution display offers exceptional performance for demanding conditions. Utilizing Beneq's proprietary ICEBrite (Integrated Contrast Enhancement) technology, this display excels in ambient light environments ranging from dark to nearly sunlight-bright. This technology achieves very high contrast and exceptionally clear images.

The EL640.480-AF LVDS display is capable of instant-on performance from -60 °C to +105 °C with instant pixel response over the entire temperature range, and no motion blur.

Lumineq® TFEL displays, ideal for embedded applications, represent the best viewing experience available for extreme conditions. TFEL displays are reliable, robust and proven in use in the harshest places on earth and in space. Excellent vibration and shock resistance, together with a compact and lightweight build, make these displays better than the rest.

1.1 Features and benefits

- Very wide temperature range: -60 °C to +105 °C
- Operating, continuous use: -60 °C to +85 °C
- Excellent visual performance
 - ✓ Good contrast
 - ✓ Wide viewing angle
- Reliable, long operating life
- Extremely rugged and durable
- Low EMI emissions
- Rapid display response
- LVDS interface, supports JEIDA and VESA data packing
- Locking connector
- Analog dimming
- Grayscale support: 4 to 5 grey shades

1.2 Options

Conformal coating and anti-glare filter options are available for this display.

The conformal coating option adds a protective layer to the display for applications in which the display may be subjected to high humidity, dust, or salt mist.

The anti-glare filter diffuses light and improved viewing in challenging indoor light conditions.

2 Installation and handling

The mechanical package consists of the display panel and electronic circuit board adhesively bonded together and mounted in a plastic bezel. The bezel supplies the mounting ears and protects otherwise exposed leads. The display is made of glass material and must be handled with care.

CAUTION: The display uses CMOS and power MOSFET devices. These components are electrostatic-sensitive. Unpack, assemble, and examine this assembly in a static-controlled area only. When shipping the display, use packing materials designed for protection of electrostatic-sensitive components.

Do not drop, bend or flex the display. Do not allow objects to strike the surface of the display.

2.1 Mounting

The EL640.480-AF LVDS display is designed to facilitate the mounting of optical treatments and touch screens on the viewing side of the display. To this end, the glass extends in front of the mounting bezel by approximately 0.5 mm (0.02"). It is imperative that any mounting scheme apply uniform pressure across the glass at all times. Pressure applied only to the corners or edge of the glass is likely to cause breakage.

Mounting should be done using the mounting ears only. Use either metric M3 screws tightened to 3.5 Nm maximum, or unified #4 screws tightened to 4.7 in/lb. maximum.

CAUTION: Properly mounted, this display can withstand high shock loads and severe vibration in aggressive environments. However, the glass panel used in this display will break when subjected to bending stresses, high impact, or excessive loads.

CAUTION: To prevent injury in the event of a glass breakage, a protective overlay should be used on the viewer side of the display.

WARNING: These products generate voltages capable of causing personal injury (high voltage up to 230 V_{AC}). Do not touch the display electronics during operation.

2.2 Cleaning

As with any glass or coated surface, care should be taken to minimize scratching. Clean the display glass with mild, water-based detergents only. Apply the cleaner sparingly to a soft cloth, and then wipe the display. Disposable cleaning cloths are recommended to minimize the risk of inadvertently scratching the display with particles embedded in a re-used cloth.

The TAB (tape-automated bonding) leads between the electronics and the display glass are very sensitive to handling. When cleaning the edges of the display glass, special care should be taken not to damage the leads.

2.3 Cable length

Do not exceed the maximum cable length of 600 mm (24 in.). Longer cables may cause data transfer problems between the data transmitted and the display input connector. Excessive cable lengths can pick up unwanted EMI.

2.4 Avoiding burn-in

As with other light-emitting displays, displaying fixed patterns on the screen can cause burn-in where luminance variations can be noticed. Use a screensaver or image inversion to avoid causing burn-in on the display.

3 Specifications

3.1 Control basics

The TFEL panel is a matrix structure with column and row electrodes arranged in an X-Y formation. Light is emitted when an AC voltage of sufficient amplitude is applied at a row-column intersection. The display operation is based on the differential signaling, line-at-a-time data addressing scheme. Required operating voltages are provided by an integrated DC/DC converter.

Unless otherwise specified, the TFEL panel performance characteristics are guaranteed when measured at 25 °C.

3.2 Power

Please refer to Table 1. All internal high voltages are generated from the display supply voltage (V_H). The Supply voltage (V_H) should be present whenever video input signals are applied. The minimum and maximum specifications in this manual should be met, without exception, to ensure the long-term reliability of the display. Beneq does not recommend operation of the display outside these specifications.

Table 1. Input power requirement

Description	Symbol	Min	Typ.	Max	Units	Notes
Supply voltage	V_H	10.8	12.0	13.2	V	Absolute max 15 VDC
Supply current	I_L	-	0.5	0.8	A	
Power consumption	P_H	-	6	9	W	

CAUTION: Absolute maximum ratings are those values beyond which damage to the device may occur. There is no overcurrent protection on V_H input to protect against catastrophic faults. Beneq recommends the use of a series fuse on the 12 volt supply. A general guideline is to rate the fuse at 1.8 to 2 times the display maximum current rating

Table 2. Video input requirements

Description	Symbol	Min	Nominal	Max	Units
Differential input voltage for LVD receiver	V_{IH}	+100	+175	200	mV
	V_{IL}	-100	-175	200	mV
Common mode voltage	V_{CM}	0.2	1.2	2.4	V

Notes: $V_{CM}=+1.2\text{ V}$
 V_{CM} is common mode voltage of LVDS transmitter/receiver
 The input terminal of LVDS receiver is terminated with $100\ \Omega$ series resistors

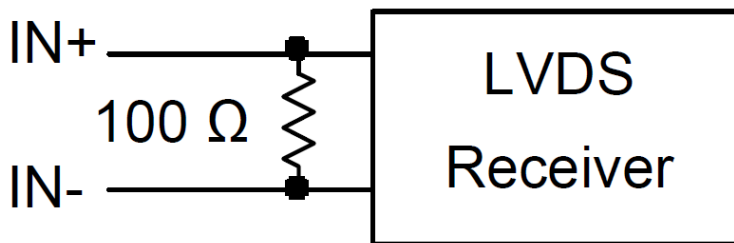


Figure 1. LVDS Input

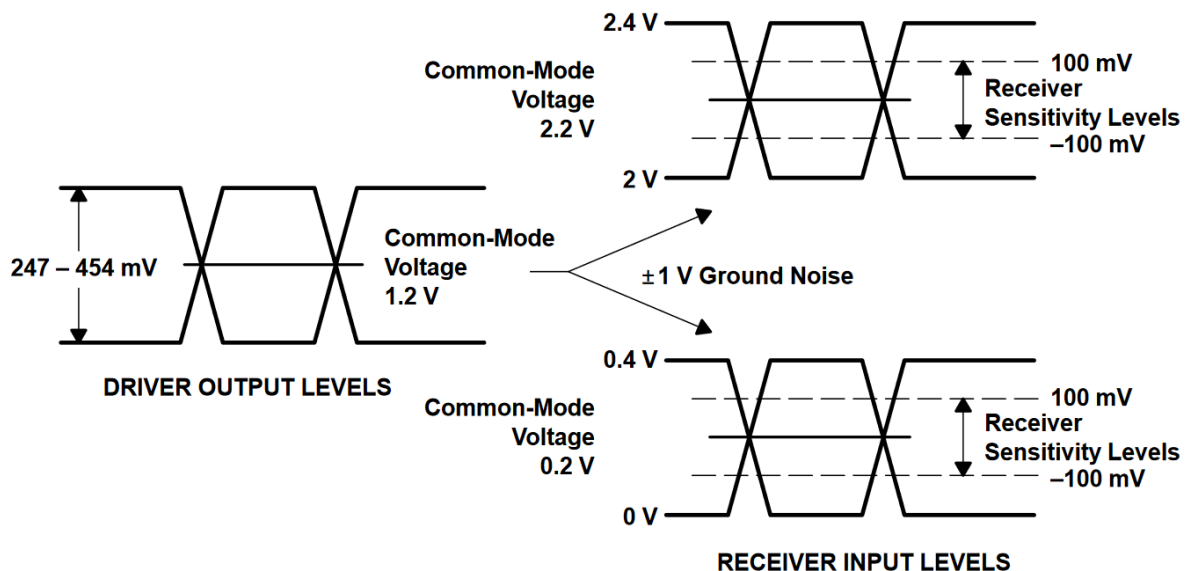


Figure 2. LVDS drive and receiver electrical characteristics

3.3 Connectors

3.3.1 Video/power connector

The video/power connector is J3: a 26-pin, 1.27 mm pitch connector (Picture 1). The display uses the Samtec EHF-113-01-L-D-SM or equivalent locking connector matching the pinouts in Table 3. The mating connector is in the Samtec FFSD and FFTP family of cable strips. The proper connector, user-specified cable length, and connector configuration are supplied as a single unit from Samtec. Consult your Samtec representative for the cable/connector options. Compatibility with non-Samtec equivalents should be verified before use.

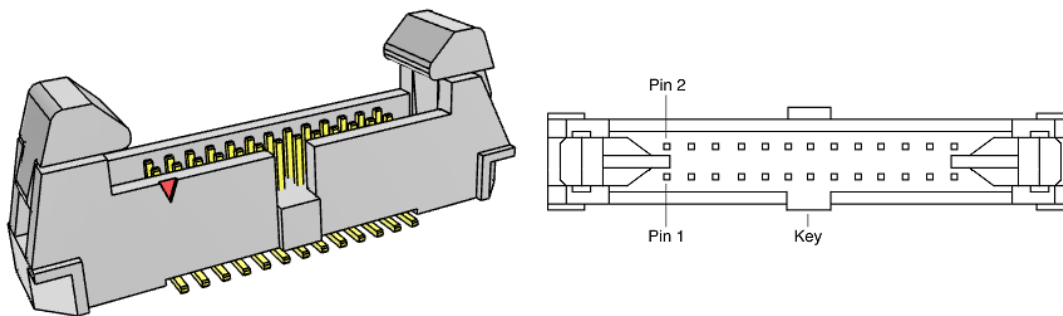


Figure 3. Samtec EHF-113-01-L-D-SM connector

Table 3. Display J3 connector pinout

Pin	Signal	Description	Pin	Signal	Description
1	NC	Not Connected	2	NC	Not Connected
3	NC	Not connected	4	NC	Not connected
5	GND	Ground	6	NC	Not connected
7	IN3-	LVDSBUS.IN3-	8	IN3+	LVDSBUS.IN3+
9	GND	Ground	10	CLK-	LVDSBUS.CLK_IN-
11	CLK+	LVDSBUS.CLK_IN+	12	GND	Ground
13	IN2-	LVDSBUS.IN2-	14	IN2+	LVDSBUS.IN2+
15	GND	Ground	16	IN1-	LVDSBUS.IN1-
17	IN1+	LVDSBUS.IN1+	18	GND	Ground
19	IN0-	LVDSBUS.IN0-	20	IN0+	LVDSBUS.IN0+
21	GND	Ground	22	V _{in}	+12 VDC power
23	GND	Ground	24	V _{in}	+12 VDC power
25	GND	Ground	26	V _{in}	+12 VDC power

3.3.2 Dimming connector

The dimming connector is a JST part number B2B-PH-K-S(LF)(SN), which is a 2-pin, 2 mm header. The recommended mate is a JST part number PHR-2 (housing) with JST part number SPH-004T-P0.5S (crimp for 28-34 AWG wire).

Refer to the dimming section below, under optical performance.

3.4 Interfacing

LVDS interface provides a low-cost, high noise immunity method for controlling the TFEL display. Many off-the-shelf chipsets are available for interfacing to flat panel displays through LVDS. If your application does not require chip-level integration, there are many vendors that can supply board-level solutions. The EL640.40-AF LVDS display support the following LVDS data packings:

- LVDS single bus, 18 bpp, VESA data packing
- LVDS single bus, 18 bpp, JEIDA data packing
- LVDS single bus, 24 bpp, VESA data packing
- LVDS single bus, 24 bpp, JEIDA data packing

3.4.1 Data packing

Channel	Bit position						
	6	5	4	3	2	1	0
IN0	bit 0	bit 5	bit 4	bit 3	bit 2	bit 1	bit 0
IN1	bit 1	bit 0	bit 5	bit 4	bit 3	bit 2	bit 1
IN2	DE	Vsync	Hsync	bit 5	bit 4	bit 3	bit 2

Table 4. LVDS single bus, 18 bpp, VESA data packing.

Channel	Bit position						
	6	5	4	3	2	1	0
IN0	bit 2	bit 7	bit 6	bit 5	bit 4	bit 3	bit 2
IN1	bit 3	bit 2	bit 7	bit 6	bit 5	bit 4	bit 3
IN2	DE	Vsync	Hsync	bit 7	bit 6	bit 5	bit 4

Table 5. LVDS single bus, 18 bpp, JEIDA data packing.

Channel	Bit position						
	6	5	4	3	2	1	0
IN0	bit 0	bit 5	bit 4	bit 3	bit 2	bit 1	bit 0
IN1	bit 1	bit 0	bit 5	bit 4	bit 3	bit 2	bit 1
IN2	DE	Vsync	Hsync	bit 5	bit 4	bit 3	bit 2
IN3	NIU	bit 7	bit 6	bit 7	bit 6	bit 7	Bit 6

Note: NIU = Not In Use

Table 6. LVDS single bus, 24 bpp, VESA data packing.

Channel	Bit position						
	6	5	4	3	2	1	0
IN0	bit 2	bit 7	bit 6	bit 5	bit 4	bit 3	bit 2
IN1	bit 3	bit 2	bit 7	bit 6	bit 5	bit 4	bit 3
IN2	DE	Vsync	Hsync	bit 7	bit 6	bit 5	bit 4
IN3	NIU	bit 1	bit 0	bit 1	bit 0	bit 1	Bit 0

Note: NIU = Not In Use

Table 7. LVDS single bus, 24 bpp, JEIDA data packing.

3.4.2 Video input data timing diagrams

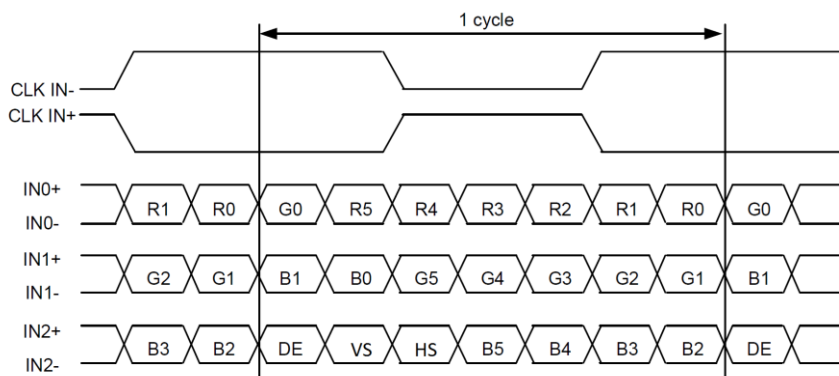


Figure 4. Video input data timing diagram, 18 bpp, VESA data packing

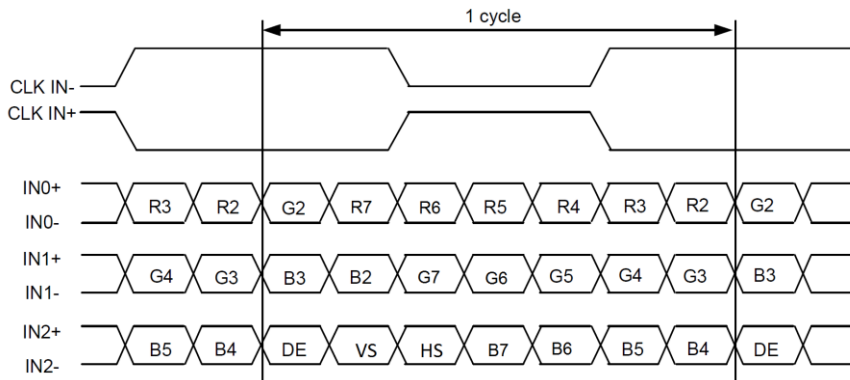


Figure 5. Video input data timing diagram, 18 bpp, JEIDA data packing

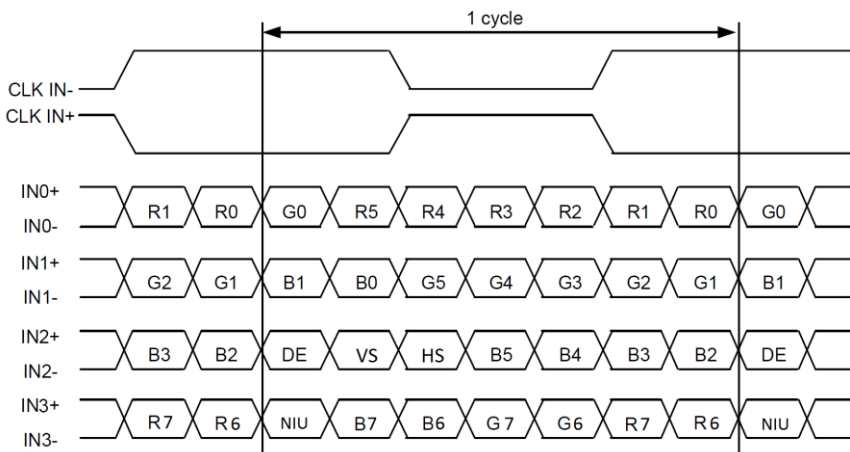


Figure 6. Video input data timing diagram, 24 bpp, VESA data packing

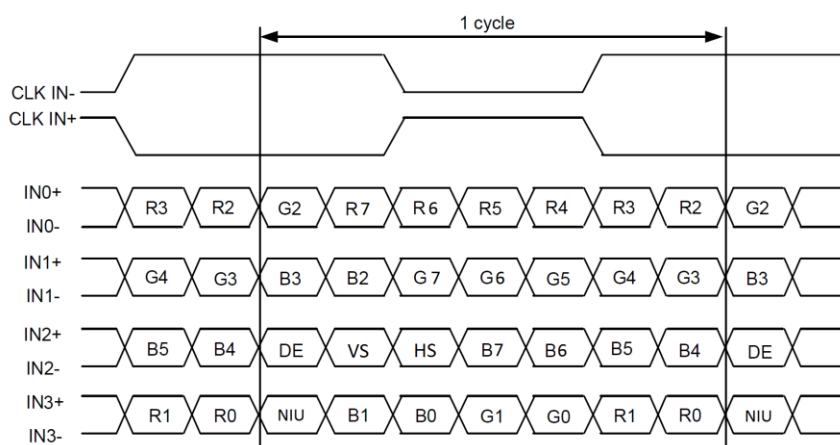


Figure 7. Video input data timing diagram, 24 bpp, JEIDA data packing

3.4.3 Timing chart and specifications

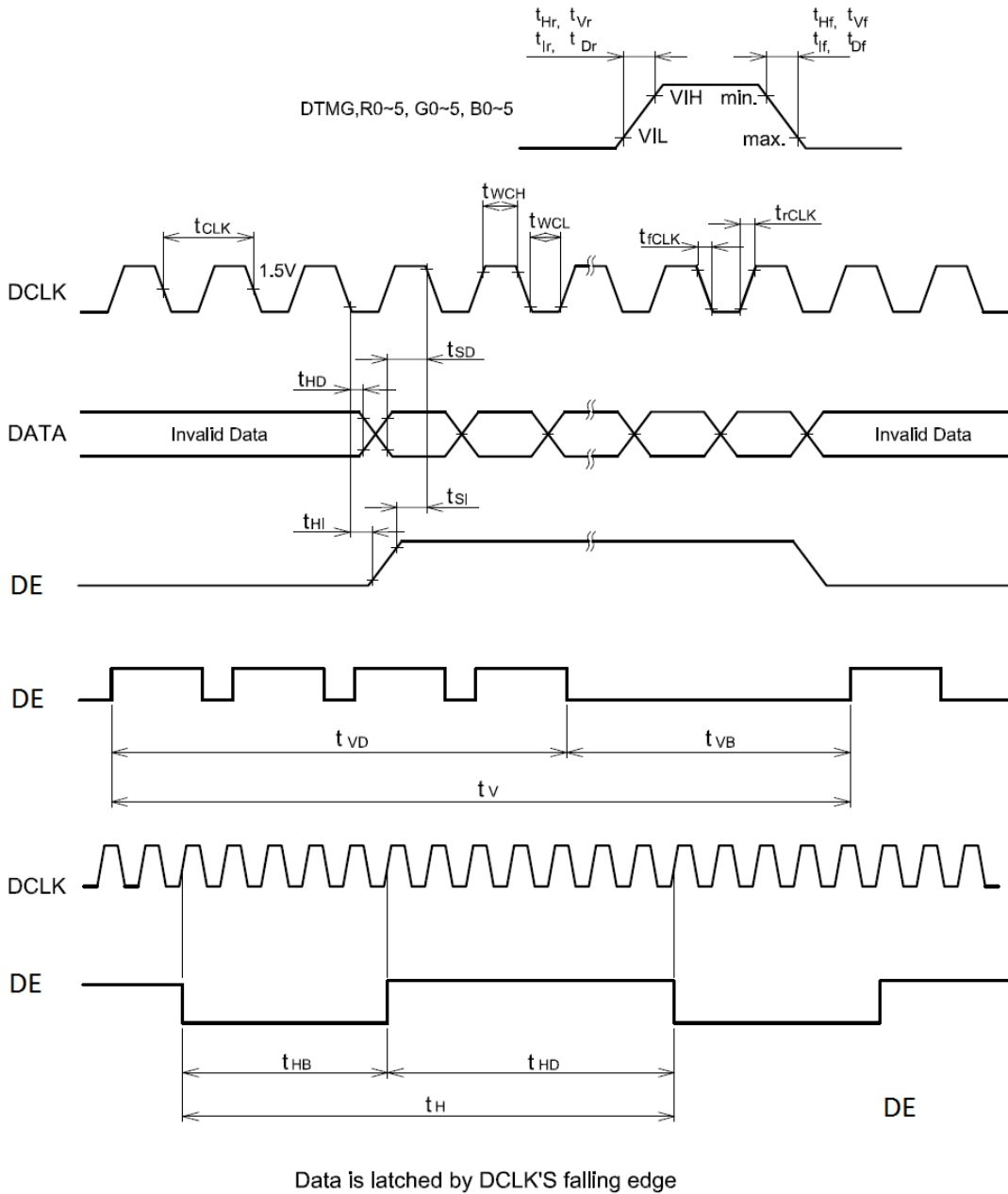


Figure 8. Timing chart

Table 8. Timing specifications

Description		Symbol	Min.	Typ.	Max.	Unit
DCLK	Cycle frequency	$1/t_{CLK}$	22.29	25.2	34.2	MHz
	Low level width	t_{WCL}	10	-	-	ns
	High level width	t_{WCH}	10	-	-	
	Rise/Fall time	t_{rCLK}, t_{fCLK}	-	-	12	
	Duty	D	0.4	0.5	0.6	-
DE	Set-up time	t_{SI}	8	-	-	ns
	Hold time	t_{HI}	8	-	-	
	Rise/Fall time	t_{Ir}, t_{If}	-	-	12	ns
	Horizontal cycle	t_H	750	800	1000	ns
	Horizontal valid data width	t_{HD}	640	640	640	
	Horizontal porch width	t_{HB}	110	160	360	
	Vertical cycle	t_V	495	525	570	t_H
	Vertical data width	t_{VD}	480	480	480	
	Vertical porch width	t_{VB}	15	45	110	
Set-up time	t_{SD}	8	-	-		
DATA	Hold time	t_{HD}	8	-	-	ns
	Rise/fall time	t_{Dr}, t_{Df}	-	-	12	ns

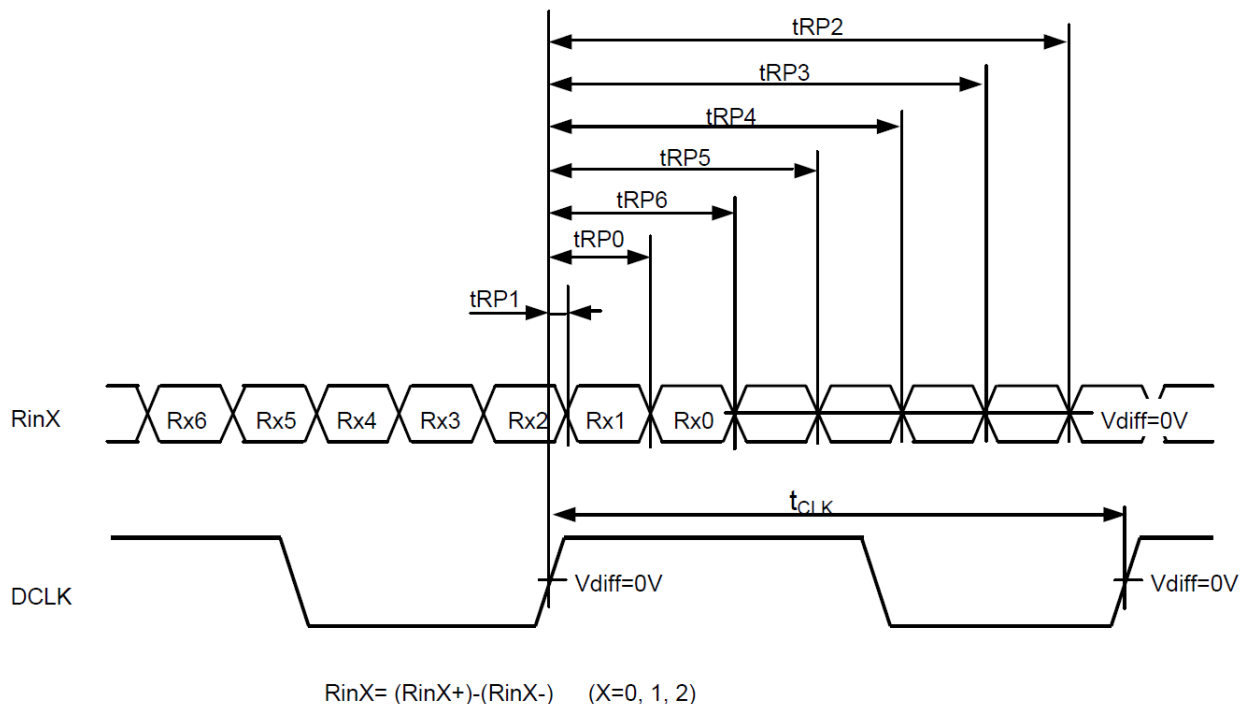


Figure 9. LVDS receiver timing chart.

Table 9. LVDS receiver timing

Description		Symbol	Min.	Typ.	Max	Unit
DCLK	Frequency	1/tCLK	22.29	25.2	34.2	MHz
RinX (X=0,1,2)	0 data position	tRP0	1/7*t _{CLK} -0.49	1/7*t _{CLK}	1/7*t _{CLK} +0.49	ns
	1 st data position	tRP1	-0.49	0	+0.49	
	2 nd data position	tRP2	6/7*t _{CLK} -0.49	6/7*t _{CLK}	6/7*t _{CLK} +0.49	
	3 rd data position	tRP3	5/7*t _{CLK} -0.49	5/7*t _{CLK}	5/7*t _{CLK} +0.49	
	4 th data position	tRP4	4/7*t _{CLK} -0.49	4/7*t _{CLK}	4/7*t _{CLK} +0.49	
	5 th data position	tRP5	3/7*t _{CLK} -0.49	3/7*t _{CLK}	3/7*t _{CLK} +0.49	
	6 th data position	tRP6	2/7*t _{CLK} -0.49	2/7*t _{CLK}	2/7*t _{CLK} +0.49	

3.4.4 Dip switch settings

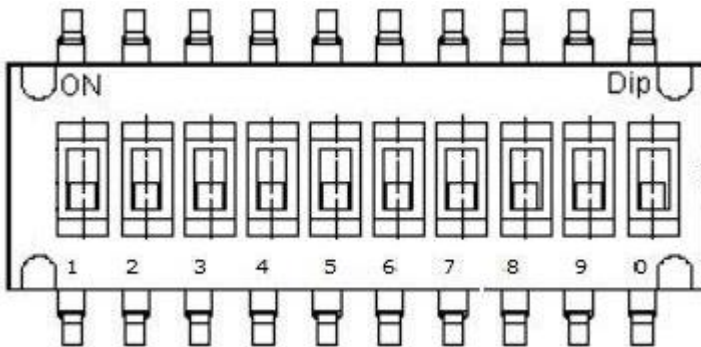


Figure 10. Dip switch

Table 10. Dip switch settings

Dip	OFF	ON
1	4 levels of grayscales	5 levels of grayscales
2	VESA Standard	JEIDA Standard
3	Red scale 0	See color settings table
4	Red scale 1	See color settings table
5	Green scale 0	See color settings table
6	Green scale 1	See color settings table
7	Blue scale 0	See color settings table
8	Blue scale 1	See color settings table
9	Normal operation	Self-test 1
10	Normal operation	Self-test 2

Default: All OFF

Table 11. Color settings

Red	Red scale 0 off – Red scale 1 off (default)	Red value 1/1
	Red scale 0 on – Red scale 1 off	Red value 1/2
	Red scale 0 off – Red scale 1 on	Red value 1/4
	Red scale 0 on – Red scale 1 on	Red value 1/8
Green	Green scale 0 off – Green scale 1 off (default)	Green value 1/1
	Green scale 0 on – Green scale 1 off	Green value 1/2
	Green scale 0 off – Green scale 1 on	Green value 1/4
	Green scale 0 on – Green scale 1 on	Green value 1/8
Blue	Blue scale 0 off – Blue scale 1 off (default)	Blue value 1/1
	Blue scale 0 on – Blue scale 1 off	Blue value 1/2
	Blue scale 0 off – Blue scale 1 on	Blue value 1/4
	Blue scale 0 on – Blue scale 1 on	Blue value 1/8

3.5 Self-test

The display incorporates two self-test modes. The self-test mode is selected by the dip switch. See figure 6, dip switch and table 9, dip switch settings.

3.6 Optical

Table 12. Optical characteristics

Luminance		
L _{on} (areal), min	40.0 cd/m ²	Screen center
L _{on} (areal), typ	65.0 cd/m ²	Screen center
L _{off} (areal), max	0.2 cd/m ²	Center and four corners
Non-uniformity		
All pixels fully lit	35 %	Maximum difference two of five points, using the formula: LNU %=[1- (min_lum/max_lum)] x 100 %
Luminance variation (temperature)		
Maximum	15 %	Across operating temperature range
Luminance variation (time)		
Maximum	20 %	10,000 hours at 25 °C ambient
Viewing angle		
Minimum	179°	
Contrast ratio		
Minimum	19:1	@ 500 lux ambient
Typical	50:1	

3.7 Dimming

This display includes an internal frame buffer. The display internal 132 Hz frame rate and the display brightness are independent of user-supplied input data timing.

Analog dimming control circuitry is present on this display model. This feature allows manual analog dimming of the brightness from 100 % to approximately 5 % (dark) of the full brightness.

The J2 analog dimming connector is a JST 2-pin connector, part number B2B-PH-K-S(LF)(SN).

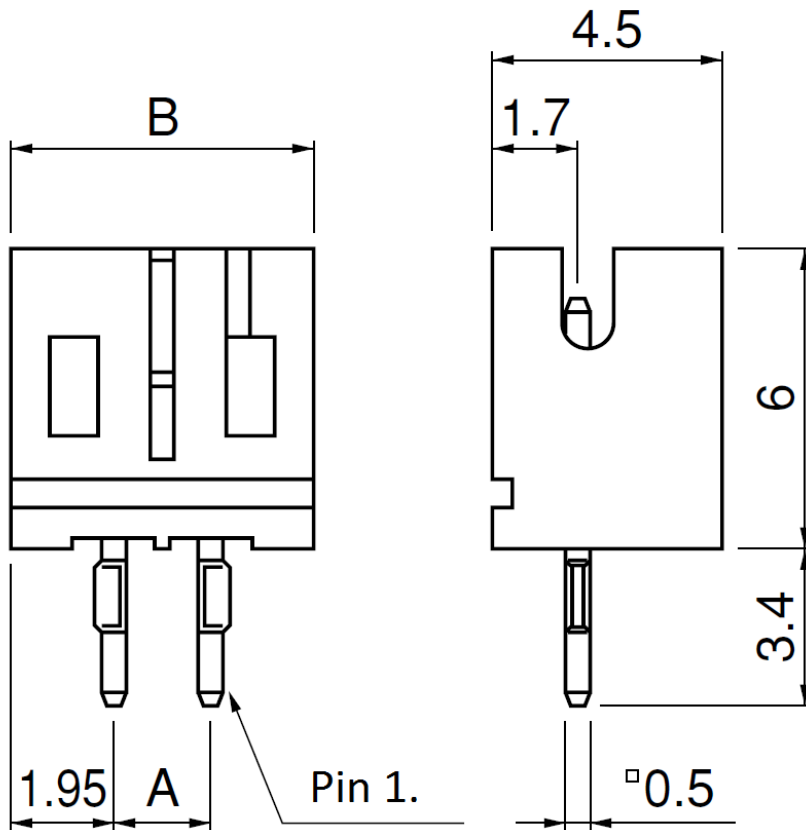


Figure 11. Dimming connector J2

To utilize analog dimming, connect one end of a 50 k Ω external potentiometer to pin 2 of connector J2 and connect the wiper of the potentiometer to pin 1. With 50 k Ω across the dimming connector, the display brightness will be at maximum. Decreasing the resistance will decrease the display brightness immediately. Alternatively, an external voltage or current mode D/A converter may be used to facilitate dimming by sinking a maximum of 100 μ A (for maximum dimming) from pin 1 to pin 2 of the dimming connector.

3.8 Reliability

The MTBF (mean time between failures) is a minimum of 50,000 hours at 25 °C ambient, except for performance characteristics with an otherwise specified life expectancy.

3.9 Safety and EMI

The display will not inhibit the end product from obtaining these certifications:

- Safety UL 60601-1, IEC 60950-1
- EMI FCC Part 15/J, Class B, EN55022 Level B

3.10 Environmental

Table 13. Environmental characteristics

Temperature		
Operating survival	-60 °C to +105 °C	
Operating, continuous use	-60 °C to +85 °C	
Non-operating	-60 °C to +110 °C	
Humidity		
Non-condensing	93 % RH max, @ 40 °C	per IEC 60068-2-78.
Altitude		
Operating	0 to 18 km (58k ft.)	per IEC 60068-2-13.
Damp heat		
Non-operating	25-55 °C, 95 % RH	Per IEC 60068-2-30.
Vibration		
Random	0.05 g ² /Hz	ASD level, 5-500 Hz per IEC 60068-2-64, test Fh.
Shock		
Half sine wave	100 g, 4 ms	18 (3 each, 6 surfaces) per IEC 60068-2-27, test Ea.

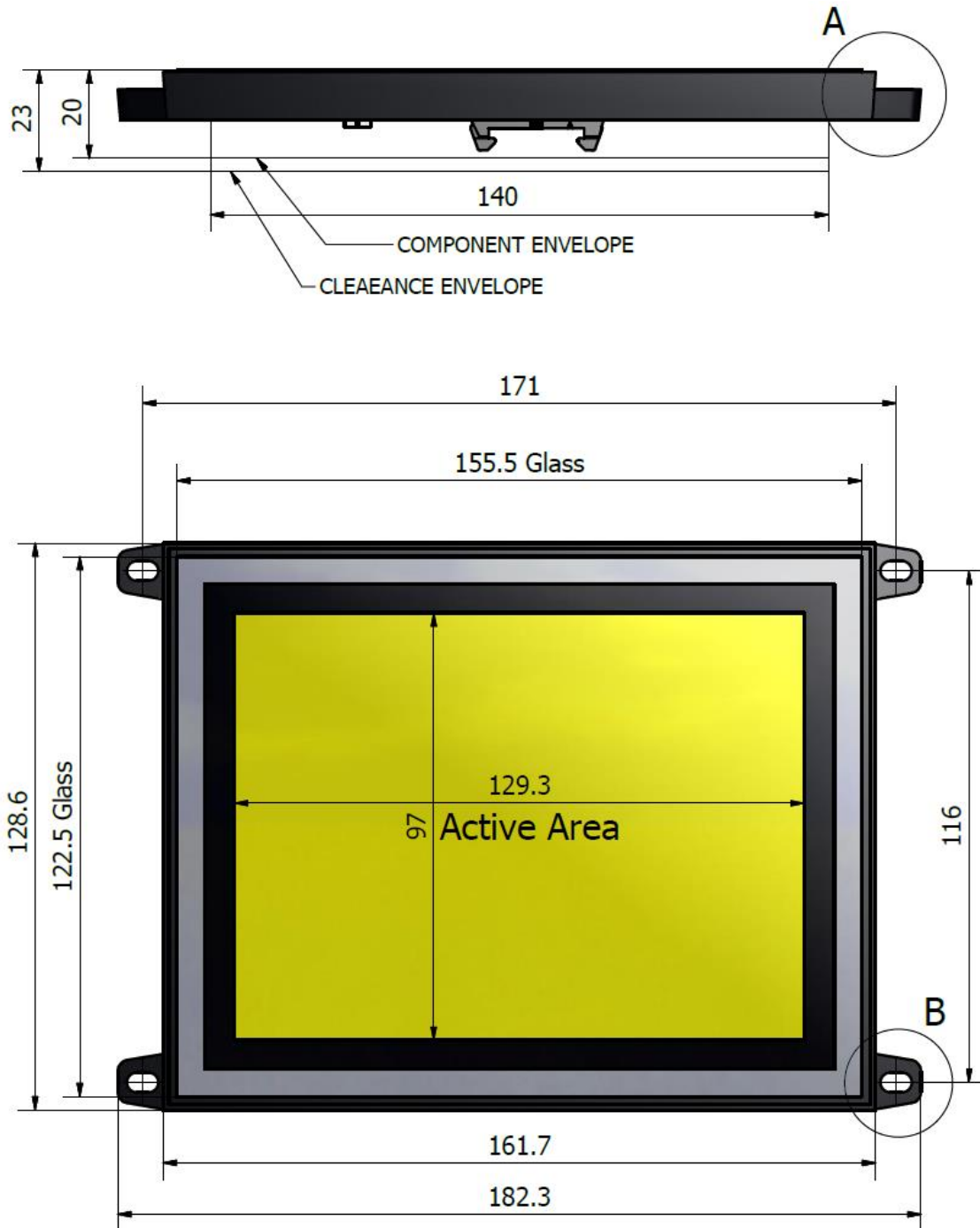
3.11 Mechanical characteristics

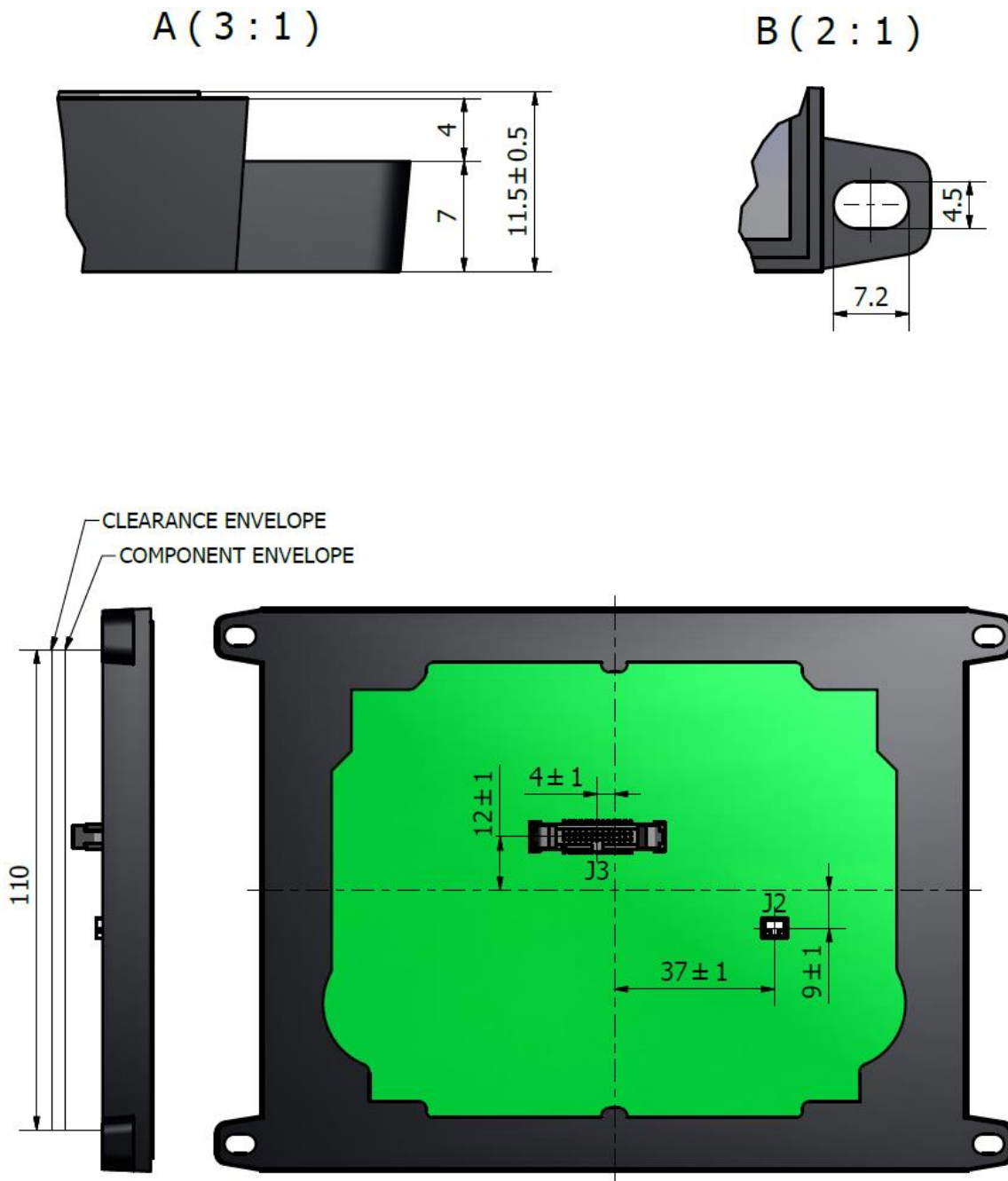
Table 14. Weight and dimensions

Description	Value	Unit
Weight	270 ± 10	g
Display size	182.3 x 128.6 (W x H)	
Display depth	20.0 ± 1	mm
Active area	129.3 x 97.0 (W x H)	
Fill factor	58 %	
Pixel pitch	0.202 x 0.202 (W x H)	mm
Pixel size	0.154 x 0.154 (W x H)	mm

3.12 Component envelope

Figure 5 illustrates the distance the components extend behind the display. Tall components do not necessarily fill this area. Beneq reserves the right to relocate components within the constraints of the component's envelope without prior customer notification. For this reason, Beneq advises users to design enclosure components to be outside the component envelope.





Dimensions are in millimeters.
 Tolerances unless otherwise stated ± 0.2 mm.

Figure 12. EL640.480-AF LVDS dimensions

4 Description of warranty

Seller warrants that the Goods will conform to published specifications and be free from defects in material during warranty time from delivery. To the extent that goods incorporate third-party-owned software, seller shall pass on seller's licensor's warranty to buyer subject to the terms and conditions of seller's license.

Warranty repairs shall be warranted for the remainder of the original warranty period. Buyer shall report defect claims in writing to seller immediately upon discovery, and in any event, within the warranty period. Buyer must return goods to seller within 30 days of seller's receipt of a warranty claim notice and only after receiving seller's return goods authorization. Seller shall, at its sole option, repair or replace the goods.

If goods were repaired, altered or modified by persons other than seller, this warranty is void. Conditions resulting from normal wear and tear and buyer's failure to properly store, install, operate, handle or maintain the goods are not within this warranty. Repair or replacement of goods is seller's sole obligation and buyer's exclusive remedy for all claims of defects. If that remedy is adjudicated insufficient, Seller shall refund buyer's paid price for the goods and have no other liability to buyer.

All warranty repairs must be performed at seller's authorized service center using parts approved by seller. Buyer shall pay costs of sending goods to seller on a warranty claim and seller shall pay costs of returning goods to buyer. The turnaround time on repairs will usually be 30 working days or less. Seller accepts no added liability for additional days for repair or replacement.

If seller offers technical support relating to the goods, such support shall neither modify the warranty nor create an obligation of seller. Buyer is not relying on seller's skill or judgment to select goods for buyer's purposes. Seller's software, if included with goods, is sold as is, and this warranty is inapplicable to such software.

SELLER DISCLAIMS ALL OTHER WARRANTIES, EXPRESS OR IMPLIED, INCLUDING BUT NOT LIMITED TO, IMPLIED WARRANTIES OF MERCHANTABILITY AND FITNESS FOR A PARTICULAR PURPOSE.

5 Ordering information

Product	Part number	Description
EL640.480-AF LVDS	EL00027500	6.4" diagonal, 640 x 480 VGA display, Operating survival: -60 °C to +105 °C, Operating, Continuous use: -60 °C to +85 °C, locking connector, 4 to 5 gray scales.
EL640.480-AF LVDS CC	EL00027501	EL640.480-AF LVDS with Conformal Coating

Design and specifications are subject to change without notice.

Beneq continues to provide optional, and in many cases custom, features to address the specific customer requirements. Consult Beneq Sales for pricing, lead time and minimum quantity requirements.

6 Support and service

Beneq is a Finnish company based in Espoo, Finland, with a world-wide sales distribution network. Full application engineering support and service are available to make the integration of Lumineq displays as simple and quick as possible for our customers.

RMA Procedure: For a Returned Material Authorization number, please contact Beneq Oy by email (rma.lumineq@beneq.com) with the model number(s), serial number(s) and brief description of the problem. When returning goods for repair, please include a brief description of the problem, and mark the outside of the shipping container with the RMA number.

7 RoHS II

Beneq Oy is committed to continuous improvement. As part of this process we are fully in support of EU directive 2011/65/EU, the Restriction of Hazardous Substances, commonly known as RoHS II or RoHS Recast, which, compared to RoHS, keeps the restrictions on the original six hazardous substances, including lead (Pb) in electronic equipment. It also expands these restrictions to previously exempted categories including medical devices and monitoring and control instruments.

This document is compiled and kept up-to-date as conscientiously as possible. Beneq cannot, however, guarantee that the data are free of errors, accurate or complete and, therefore, assumes no liability for loss or damage of any kind incurred directly or indirectly through the use of this document. The information in this document is subject to change without notice. All texts, pictures, graphics and any other contents of this document and their layout are protected by copyright and other protective laws. The aforementioned contents may not be duplicated, modified or used in other electronic or printed publications without the prior consent of Beneq. Unless otherwise stated, all trademarks are protected under trademark laws, especially the Beneq trademarks, logos, emblems and nameplates. The patents and trademarks presented in this document are the intellectual property of Beneq Oy. Beneq is a registered trademark of Beneq Oy. Lumineq and ICEBrite are trademarks of Beneq Oy.