

YSD60L SERIES 60W










yingjiao's slimline power family are designed with slim plastic housing and for full range AC input from 90VAC to 264VAC.

The series are single phase Psu, providing DC Ok relay contact and adjustable DC output voltage. They have high efficiency and operate in wide temperature range.

The series can widely used for industrial automation & control systems, varied equipments etc.

Features

-  universal AC Input/ Full Range
-  Installation on DIN Rail TS-35/7.5 & 15
-  DC oK Relay Contact
-  DC output voltage Adjustable
-  protection: Short Circuit/overload/over voltage
-  Isolation Class I
-  Three years warranty

Model Information

yingjiao Part number	DC VOLTAGE	RATED CURRENT	RATED POWER
YSD60L-05010000	5V	10A	50W
YSD60L-12005000	12V	5A	60W
YSD60L-24002500	24V	2.5A	60W
YSD60L-48001250	48V	1.25A	60W

Input

VOLTAGE RANGE	90-264VAC/127-370VDC	
FREQUENCY RANGE	47~ 63Hz	
INRUSH CURRENT	30A/115VAC	COld start
	60A/230VAC	COld start
AC CURRENT	1.8A/115VAC	
	1A/230VAC	
LEAKAGE CURRENT	<1mA/240VAC	
EFFICIENCY	78%	YSD60L-05010000
	86%	YSD60L-12005000
	88%	YSD60L-24002500
	78%	YSD60L-48001250

Output

RIPPLE & NOISE	80mVp-p	YSD60L-05010000
	120mVp-p	YSD60L-12005000
	150mVp-p	YSD60L-24002500
	200mVp-p	YSD60L-48001250
VOLTAGE ADJ. RANGE	5~ 6V	YSD60L-05010000
	12~ 15V	YSD60L-12005000
	24~ 30V	YSD60L-24002500
	48~ 56V	YSD60L-48001250

output

VOLTAGE TOLERANCE	±2.0%
LINE REGULATION	±2.0%
LOAD REGULATION	±5.0%
SETUP, RISE TIME	500ms, 30ms/230VAC at full load 500ms, 30ms/115VAC at full load
HOLD UPTIME (TYP.)	50ms/230VAC at full load 20ms/115VAC at full load

protection

OVER LOAD	105%-150% Rated Output Power Protection type: Constant current limiting- recovers automatically after fault condition is removed.
OVERVOLTAGE	5V:6.25 ~ 7.25V 12V:15.6 ~ 18V 24V:31.2 ~ 36V 48V:57.6 ~ 64.8V Protection type : Shutdown o/p voltage, re-power on to recover

Environment

OPERATING TEMPERATURE	-20 °C to 70 °C (Refer to "Derating Curve")
STORAGE TEMP	-40 °C to 85 °C
STORAGE HUMIDITY	10 ~ 95% RH
WORKING HUMIDITY	20% ~ 90% RH Non-Condensing

SAFETY & EMC

SAFETY REGULATIONS	UL508 , BS/EN62368-1 approved
WITHSTAND VOLTAGE	I/P-O/P:3KVAC I/P-FG:2KVAC O/P-FG:0.5KVAC
ISOLATION RESISTANCE	I/P-O/P, I/P-FG, O/P-FG:100M Ohms / 500VDC / 25°C/ 70% RH
EMC EMISSION	BS EN/EN 55032 class B, BS EN/EN IEC 61000-3-2,3
EMC IMMUNITY	BS EN/EN 61000-4-2,3,4,5,6,8,11

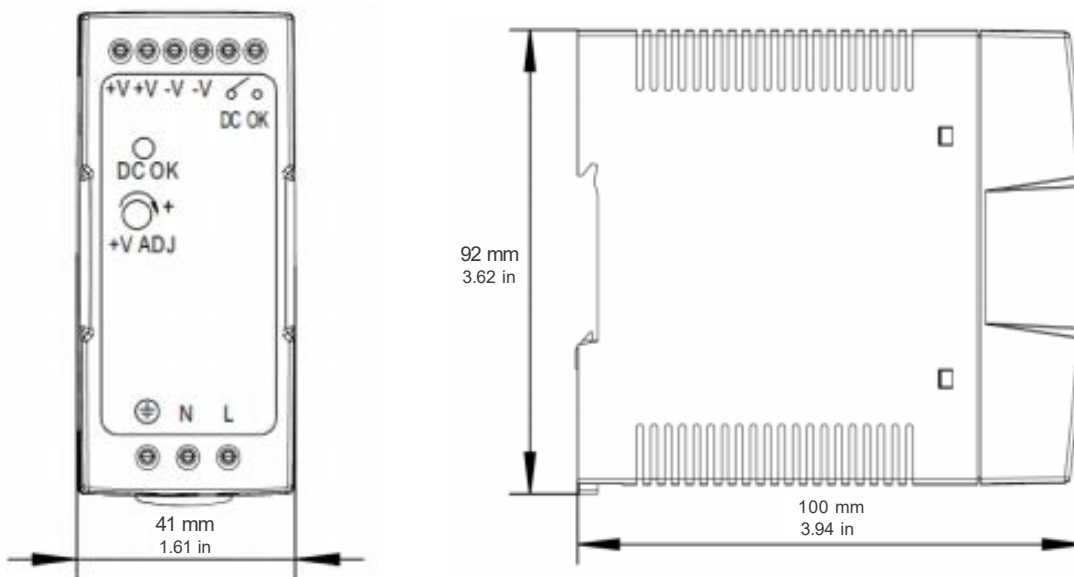
Dimensions & weight

Length:	41mm / 1.61in
width:	100mm / 3.94in
Height:	92mm / 3.62in
weight:	280g

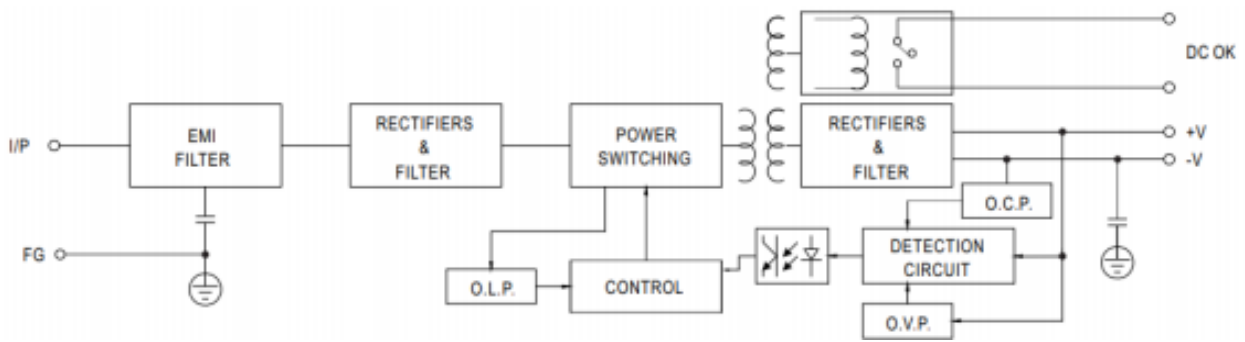
packing

carton size:	54 X 24.5 X 24 CM 21.26 X 9.65 X 9.45 in
Master carton Quantities:	50pcs / Carton

Dimensions and Installation



Functional Diagram



APPLication Of DC OK Active signal

Contact Close	PSU turns on / DC OK.
Contact Open	PSU turns off / DC Fail.
Contact Ratings (max.)	30V/1A resistive load.

Deduction Curve and TemPerature

