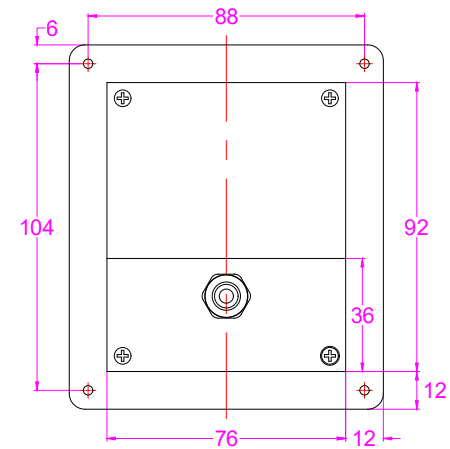
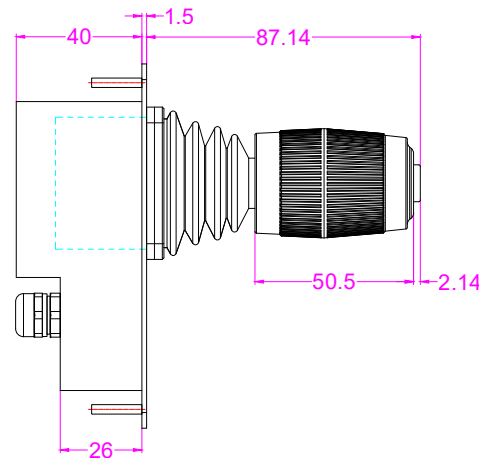
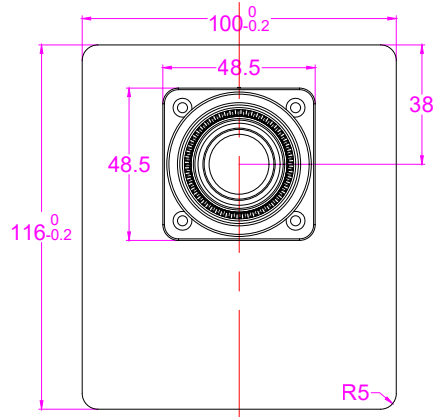
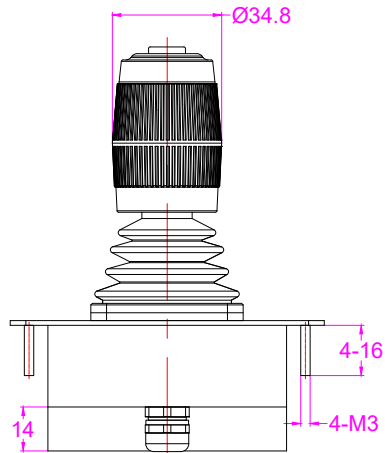


Date	Changes	REV
2022.10.28	Original	1.0



KEY TECHNOLOGY(CHINA)LIMITED

深圳市键特电子有限公司

www.rugged-key.com www.rugged-key.cn



Part Name				Project Name			
Part No.	K-TEK-B100-JS(CBK)			Project No.			
Material				Scale	1:1	Unit	mm
Date	2022.10.28	Version	1.0	Tolerance	IT12	Sheet	1 of 1
Designed	Chen Xiaobing	Audited		Tony Deng	Approved		

