

JHCTECH

Shenzhen JHC Technology Development Co., Ltd.

15F., No. 85, Sec. 1, Zhongxiao E. Rd., Zhongzheng Dist., Taipei City
100, Taiwan (R.O.C.)

KGEC

Tel : +886-2-2321-0389
FAX: +886-2-2321-0309
Email : sales@jhc-technology.com
Website : www.jhc-technology.com



JHCTECH IoT Computer
Connecting the Dots

KGEC

Edge controller



JHCTECH

About JHCTECH

JHCTECH was established in Shenzhen, China, in April 2002, and it has become an intelligent IoT system supplier with strong capabilities in R&D, production, sales and service.

Relying on its rich industry experiences and following the strategy of "Proactive Innovation and Intelligent Manufacturing Based in China", JHCTECH has been focusing on the development and production of industrial computers and system application platforms. Its diversified products and services include the industrial tablet computers, industrial touch monitors, embedded box computers, single-board computers, etc., as well as customized solutions focusing on industry applications and AI-enabled value-added services. Its products have passed the CE, FCC, E-Mark, EN50155 and other safety regulations and industry certifications, and are widely used in many areas including the Industrial Internet of Things (IIoT), Intelligent Transportation System (ITS), Smart Security, Energy and Environmental Protection, and Biological Safety. JHCTECH has built a solid foundation for the businesses of Intelligent IoT and Edge Computing.

Harmony is invaluable, sincerity is the foundation. JHCTECH serves customers with the core values of integrity, gratitude, and responsibility in maximizing values for the society with technological innovation. Adhering to the business philosophy of "focus on the industry, specialize in products, and excel in services", do not lose hope if one's fail, but strive to become a role model of smart ecological commercial civilization that keeps the integrity, emphasizes quality, be courageous, seeks win-win outcome, and dedicated to building a competitive international brand!

Brand strategy : IOT Computer Connecting the Dots

Business philosophy : Focus on the industry, specialize in products, and excel in services.

Strategic slogan : Promote the industry to the world.

Core values : Integrity, gratitude, and responsibility.

Corporate Spirit : Humility, loyalty, innovation, seriousness, solidarity, learning, perseverance

Corporate Mission : Committed to building a smarter earth and a smarter tomorrow.

Corporate Vision : Better lose than to lose integrity. Become a model of smart IoT ecological commercial civilization that keeps integrity, emphasizes quality, be courageous, and seeks win-win outcomes.

Eight corporate values:

1. **Value:** Create maximum value for users with the help of technological innovation.

2. **Strive:** Adhere to long-termism, hard work, and savor the joy of work.

3. **Spirit:** All methodologies are measured by core values and corporate spirit.

4. **Learning:** Learning is vital as all manifestation are ultimately the reflection of ability.

5. **Team:** The interest of the team is of the highest interest, and the individual must obey the organization.

6. **Action:** The criterion of success is goal pursuit, efficiency and action are the keys

7. **Affection:** Be empathy, not egalitarianism and oppose opportunism

8. **Win-Win:** Connect the symbiosis, achieve more, and brings benefit to the society.

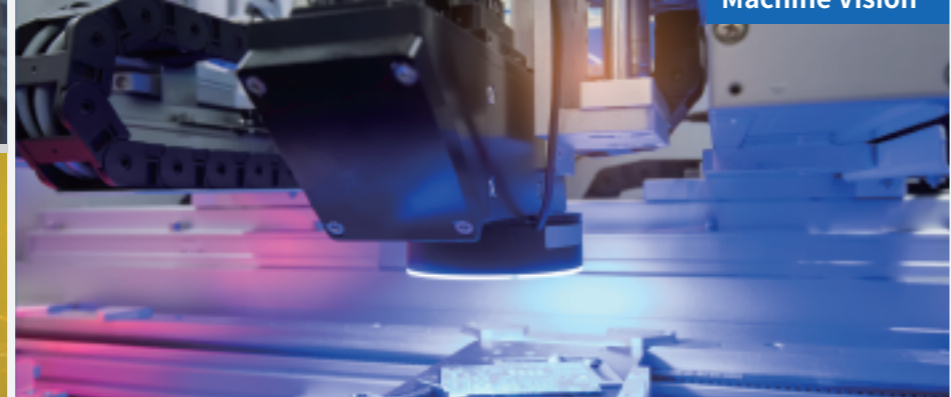
APPLICATION
▶▶▶
Industrial Robotics

Product Listing **01**

KGEC-6300 **03**
Expandable Edge Controller

05 **KGEC-6301**
Multi-POE Edge Controller

KGEC-6310 **07**
High performance real-time Edge Controller





KGEC
Edge Controller



KGEC-6300

KGEC-6301

KGEC-6310

System

CPU	6th gen Intel® Skylake-S/7th gen Intel® Kabylake-S Pentium/Core i3/i5/i7 CPU LGA 1151 socket, max support 65W	6th gen Intel® Skylake-S/ 7th gen Intel® Kabylake-S Pentium/Core i3/i5/i7 CPU LGA 1151 socket, max support 65W	8th gen Intel Whiskeylake U:Celeron 4305U; Core U: i3-8145U; i5-8265U; i7-8565U
RAM	1* DDR4 2400/2133MHz, max 16GB	1* DDR4 2400/2133MHz, max 16GB	2* DDR4 2400MHz , max 32GB
Graphics	IntelGen.9 HD Graphics,HEVC/H265 HW DP: 4096*2304@60Hz, DVI-I(DVI-D+VGA) DVI-D: 1920*1200@60Hz, VGA: 2560*1600@60Hz	IntelGen.9 HD Graphics,HEVC/H265 HW DP max resolution 4096*2304@60Hz; DVI-I(DVI-D+VGA) DVI-D max resolution 1920*1200@60Hz, VGA max 2560*1600@60Hz	Intel Gen. 9 UHD Graphics,HEVC/H265 HW HD codec HDMI max resolution 4096*2304@60Hz DVI-D max resolution 2560x1600,60Hz

I/O Interface

LAN	2*Intel I210AT PCIe Gig. Ethernet, 10/100/1000Mbps	2*Intel I210AT PCIe Gig. Ethernet, 10/100/1000Mbps; 4*Intel I210AT PCIe Gig. Ethernet with POE function, 802.3af(15.4W)	3*Intel I210AT PCIe Gig. Ethernet, 10/100/1000Mbps; 1*Intel®I219LM ,support iAMT12.0 and iVpro tech
USB	4* USB3.0	4* USB3.0	2*USB3.1 + 2* USB2.0
Display	1* DP + 1* DVI-I	1* DP + 1* DVI-I	1* DVI-D + 1* HDMI
Audio	/	/	1* Line out + 1* MIC
Serial Port	2*RS232/422/485 with isolated TVS	2*RS232/422/485 with isolated TVS	2*RS232/422/485
DIO	/	16-bit Isolator DIO (Phoenix terminal)	8-bit DIO(Phoenix terminal)

Storage

Storage	1*mSATA full height card	1*2.5" SATA3.0 HDD/SSD 1*mSATA full height card	1*2.5" SATA3.0, 1*mSATA full height card, support AHCI
----------------	--------------------------	--	--

Expansion

Expansion Port	1*Mini PCIe with PCIeX1+USB signal with SIM slot,support 4G/Wifi/wireless BT/CAN module 1*PCIe X4 slot with PCIe X1 signal 1*32bit-PCI	1*Mini PCIe with PCIeX1+USB signal with SIM slot,support 4G/Wifi/wireless BT/CAN module 1*PCIe X4 slot with PCIe X1 signal 2*32bit-PCI	1*M.2 E-key , with PCIe X1+USB2.0 signal, Wifi/BT module expansion 1*Mini PCIe, with SIM slot, PCIe X1+USB2.0 signal, support 3G/4G/Wifi/ BT/ GPRS and other wireless function
-----------------------	---	---	---

Power Supply

Input voltage & Power Consumption	DC 12~24V input, 2*2-pin terminal block connector, Power consumption: S001(43.7W I7-7700 4GB), with expansion module(49.4W I7-7700 4GB)	DC 12~24V input, 2*2-pin terminal block connector, Power consumption: S001(49.2W I7-6700T 4GB) , with expansion module (52.8W I7-6700T 4GB)	DC 12~24V input, 2*2-pin terminal block connector, Power consumption: 31.68W (CPU I3-8145U 4GB)
--	---	---	---

Mechanical

Structure	Aluminum chassis, SGCC frame	Aluminum chassis, SGCC frame	Aluminum chassis, SGCC frame
Dimension (W*H*D)	S001(202*151*57.8mm), with expansion module (202*151*109.8mm)	S001(202*151*80.8mm), With expansion module (202*151*151mm)	202*151*81mm
Net weight	S001: 2.52KG; with expansion module:3.52KG	S001: 3KG; with expansion module: 4.4KG	2.59KG

Environmental

Operating temperature	-20°C~60°C , with wide temperature SSD	-20°C~60°C , with wide temperature SSD	-20°C~60°C , with wide temperature SSD
Storage temperature	-40°C~85°C	-40°C~85°C	-40°C~85°C
Storage Humidity	10~90%@40°C, non-condensing	10~90%@40°C, non-condensing	10~90%@40°C, non-condensing
Vibration	5 grms/5~500Hz/random/during operation(SSD); 1 grms/5~500Hz/random/during operation(HDD)	5grms/5~500Hz/random/during operation(with SSD); 1grms/5~500Hz/random/during operation(with HDD)	5grms/5~500Hz/random/during operation(with SSD); 1grms/5~500Hz/random/during operation(with HDD)
Shock	50g peak acceleration(duration;11ms)(with SSD); 20g peak acceleration(duration;11ms)(with HDD)	50g peak acceleration(duration;11ms)(with SSD); 20g peak acceleration(duration;11ms)(with HDD)	50g peak acceleration(duration;11ms)(with SSD); 20g peak acceleration(duration;11ms)(with HDD)
Certification /EMC	CE/FCC Class B	CE/FCC Class B	CE/FCC Class B

OS

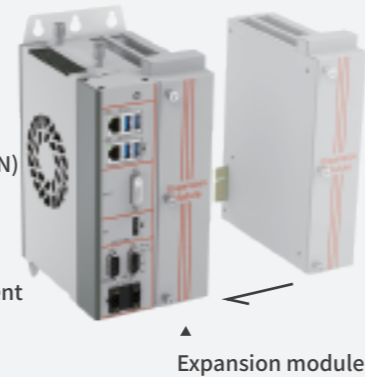
	RTOS: INtime, EC-Win, RTX-2014/2016 and Ubuntu Preempt-RT, Windows 7, Windows 10, Linux Fedora Ubuntu(Note: 7th gen Intel® Kabylake-S processor does not support Windows 7 32-bit)	RTOS: INtime, EC-Win, RTX-2014/2016, Ubuntu Preempt-RT, Windows 7, Windows 10, Linux Fedora Ubuntu (Note: 7th gen Intel® Kabylake-S processor does not support Windows 7 32-bit)	RTOS: INtime, EC-Win, RTX-2014/2016 and Ubuntu Preempt-RT Windows 10, SUSE, Ubuntu, Wind River, Red Hat Enterprise
--	--	--	--

KGEC-6300

Intel® Skylake-S/Kabylake-S CPU, 2*LAN, 4*USB3.0, DP, DVI-I, 2*COM, modular expansion components, Real-time Operating System RTOS, and Time Sensitive Networking TSN.

Key Specification

- Intel® Skylake-S/Kabylake-S CPU with max 65W
- CPU equipped with active and passive heat dissipation, smart temperature control fan, silent and dustproof
- H110 chipset, CPU (optional dual & quad core)
- 1*DP, 1*DVI-I, dual display interface, prolong display without attenuation
- 2*I210AT internet chipset and optional support for time sensitive networking (TSN)
- 1*PCIe X4 slot/1*32bit-PCI slot, support multiple expansions
- BIOS optimization and support real-time operating system (RTOS)
- Support third-party software platform (optional)
- DC12~24V wide voltage power supply, with reverse polarity protection, overcurrent and overvoltage protection
- Suitable for wall-mounting and Din-rail mounting



Product Overview

KGEC-6300 is a brand-new edge controller with expansion module where the host can be dismantled easily. The CPU is equipped with active and passive heat dissipation design and smart temperature control fan. It is suitable for both wall-mounting and Din-rail mounting, and the extension quantity is flexible. For different application scenario, we offer different expansion modules for selection, which makes it extremely suitable for machine vision, CNC machine tools, construction machinery and other fields.

Product Parameters

System

CPU	6th gen Intel® Skylake-S/ 7th gen Intel® Kabylake-S Pentium/Core I3/I5/I7 CPU Intel® H110 chipset, LGA 1151 slot, max support 65W
RAM	1*260-Pin SODIMM, DDR4 2400/2133MHz, max 16GB
Expansion	1*Mini PCIe with PCIeX1+USB signal with SIM slot, support 4G/Wifi/BT wireless/CAN module 1*PCIe X4 slot with PCIe X1 signal 1*32bit-PCI support motion control cards, accelerator cards and other expansion cards
Graphics	Intel Gen. 9 HD Graphics, HEVC/H265 HW HD codec DP max resolution 4096*2304@60Hz; DVI-I(DVI-D+VGA) DVI-D max resolution 1920*1200@60Hz, VGA max resolution 2560*1600@60Hz
LAN	2*Intel I210AT PCIe Gig. Ethernet, 10/100/1000Mbps
Storage	1*mSATA full size card (SATA & USB2.0)
I/O Port	2*Gig-LAN(RJ45) 4*USB3.0(Type A) 2*RS232/422/485 with isolated TVS (DB9) 1*DP+1*DVI-I
LED	1*power LED, 1*HDD LED, 3*CPU temperature indicator (Red as warning, Yellow as high temperature, Green as green temperature)
Switches	1*power button, 1*AT/ATX switch, 1*Clear CMOS switch
Power Requirement	DC 12~24V input, 2*2-pin terminal block connector, Consumption: S001(43.7W I7-7700 4GB), with expansion module (49.4W I7-7700 4GB)

Operating System RTOS: INtime, EC-Win, RTX-2014/2016 and Ubuntu Preempt-RT
Windows 7, Windows 10, Linux Fedora Ubuntu
(Note: 7th gen Intel® Kabylake-S processor does not support Windows 7 32-bit)

Watchdog timer(WDT) Programmable timeout interruption period or system reset from 1 to 255 secs

Mechanical

Structure	Aluminum chassis with heat dissipation, SGCC frame
Color	Dark gray
Installation method	Wall-mounting, Din-Rail mounting
Dimension (W*H*D)	S001(202*151*57.8mm), with expansion module(202*151*109.8mm)
Net weight	S001: 2.52KG; with expansion module :3.52KG

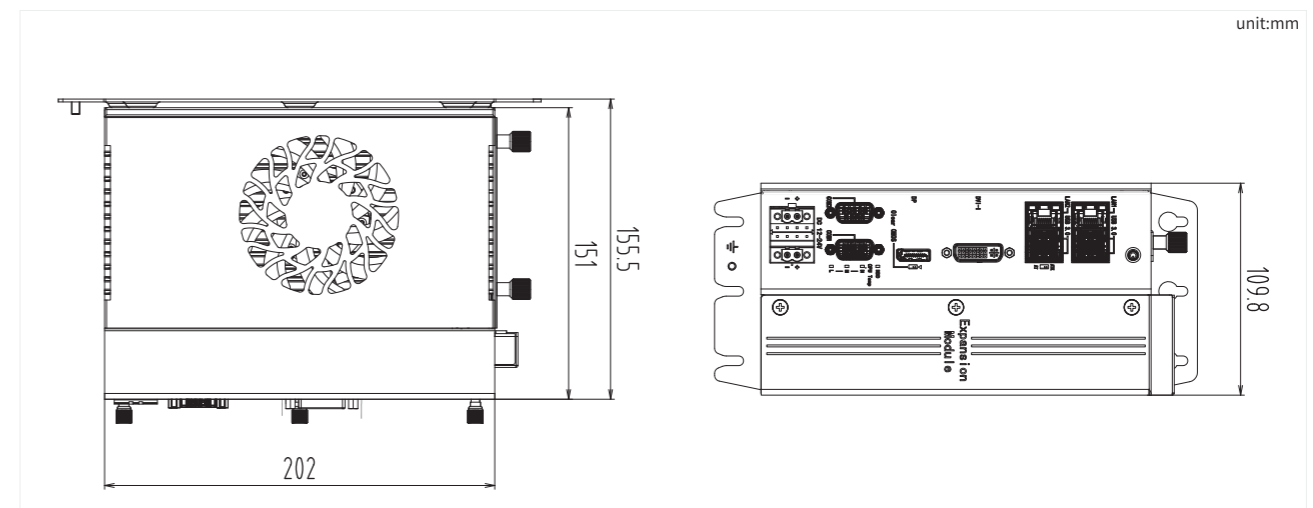
Environmental

Operating temperature	-20°C~60°C, with wide temperature SSD
Storage temperature	-40°C~85°C
Storage humidity	10~90%@40°C, non-condensing
Vibration	5 grms/5~500Hz/random/during operation(with SSD); 1 grms/5~500Hz/random/during operation(with HDD)
Shock	50g peak acceleration(duration;11ms)(with SSD); 20g peak acceleration(duration;11ms)(with HDD)
Certification/EMC	CE/FCC Class B

I/O View



Dimensions



Ordering Information

Model	Processor	RAM	Display	I/O Port	Expansion	Storage	Power Supply
KGEC-6300/S001	Intel® Skylake-S/Kabylake-S LGA1151 CPU	1x DDR4 MAX 16GB	1x DVI-I 1x DP	2x LAN 4x USB3.0 2x COM	1x Mini PCIe	1x mSATA	DC 12~24V
1 Slot Expansion module	1*PCIeX4 Slots (X1signal) or 1*PCI single expansion slot						
2 Slot Expansion module	1*PCIeX4 Slots (X1signal)+1*PCI dual expansion slot						
PA-120DC19	AC/DC adapter, direct current of 19V/6.32A 120W						

CPU Support

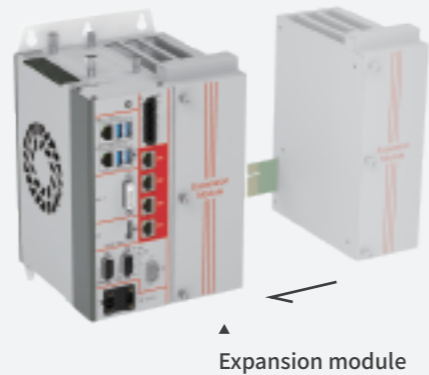
Model	Intel® Core™				Intel® Pentium®			
Series								
7th Gen	I7-7700	4C8T	I7-7700T	4C8T	G4600	2C2T	G4600T	2C2T
	I5-7500	4C4T	I5-7500T	4C4T				
	I3-7100	2C4T	I3-7100T	2C4T				
6th Gen	I7-6700	4C8T	I7-6700T	4C8T	G4400	2C2T	G4400T	2C2T
	I5-6500	4C4T	I5-6500T	4C4T				
	I3-6100	2C4T	I3-6100T	2C4T				

KGEC-6301

Intel® Skylake-S/Kabylake-S CPU, 2*LAN, 4*POE, 4*USB3.0, DP, DVI-I, 2*COM, 16-bit Iso DIO, Modular expansion components, Real-time Operating System RTOS, and Time Sensitive Networking TSN.

Key Specification

- Intel® Kabylake-S/Skylake-S CPU, max 65W
- CPU equipped with active and passive heat dissipation, smart temperature control fan, silent and dustproof
- H110 chipset, CPU (optional dual & quad core)
- 1*DP, 1*DVI-I, dual display interface, prolong display without attenuation
- 2*I210AT internet chipset and optional support for time sensitive networking (TSN)
- 1*PCIe X4 slot, 2*32bit-PCI slot, support multiple expansion modules
- 4 * I210 AT chipset POE camera interface and 16 optical isolation DIO
- BIOS optimization and support real-time operating system (RTOS)
- Support third-party software platform (optional)
- DC12~24V wide voltage power supply, with reverse polarity protection, overcurrent and overvoltage protection
- Suitable for wall-mounting and Din-rail mounting



Product Overview

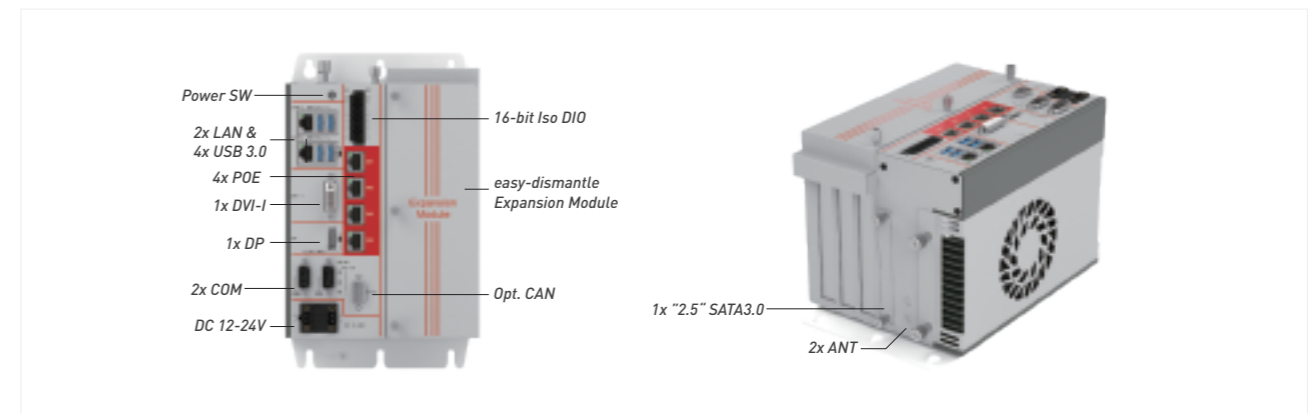
KGEC-6301 is a brand new edge controller with 2*LAN and 4*POE. It adopts Intel I210AT internet chipset, which support EtherCAT time sensitive networking (TSN) and can connect to network cameras. The CPU is built with active and passive heat dissipation design and supports wall-mounting and Din-rail mounting. It is also equipped with smart temperature control fan, the expansion module can be easily dismantled from the host, and the expansion quantity is flexible. For different application scenario, we offer different expansion modules for selection, which makes it extremely suitable for machine vision, CNC machine tools, construction machinery and other fields.

Product Parameters

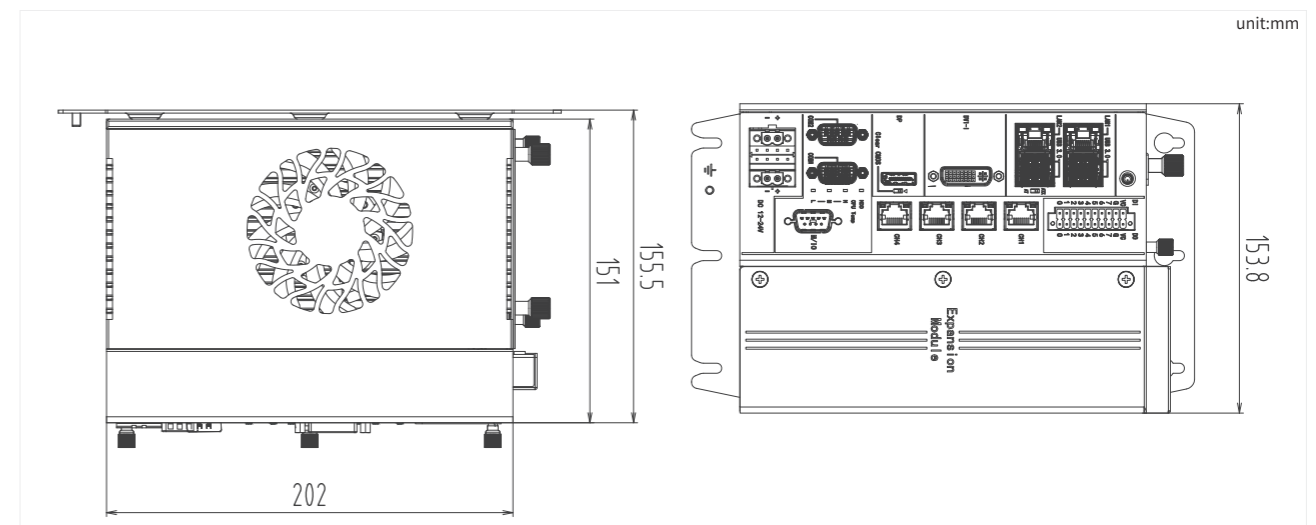
System

CPU	6th gen Intel® Skylake-S/7th gen Intel® Kabylake-S Pentium/Core I3/I5/I7 CPU LGA 1151 slot, max support 65W	Operating System	RTOS: INtime, EC-Win, RTX-2014/2016 and Ubuntu Preempt-RT Windows 7, Windows 10, Linux Fedora Ubuntu (Note: 7th gen Intel® Kabylake-S processor does not support Windows 7 32-bit)
RAM	1*260-Pin SODIMM, DDR4 2400/2133MHz, max16GB	Watchdog timer	Programmable timeout interruption period or system reset from 1 to 255 secs
Expansion	1*full size Mini PCIe with PCIe X1+USB signal with SIM slot, support 4G/Wifi/BT/CAN module 1*PCIe X4 slot with PCIe X1 signal 2*32bit-PCI support motion control cards, accelerator cards and other expansion cards	Mechanical	
Graphics	Intel Gen. 9 HD Graphics, HEVC/H265 HW HD codec DP: 4096*2304@60Hz; DVI-I (DVI-D+VGA), DVI-D: 1920*1200@60Hz, VGA: 2560*1600@60Hz	Structure	Aluminum chassis, SGCC frame
LAN	2*Intel I210AT PCIe Gig. Ethernet, 10/100/1000Mbps; 4*Intel I210AT PCIe Gig. Ethernet with POE function, 802.3af(15.4W)	Color	Dark Grey
Storage	1*2.5" SATA3.0 HDD/SSD 1*mSATA full size card (SATA & USB2.0)	Installation Method	Wall-mounting, Din-Rail mounting
DIO	16-bit Iso DIO, 8-bit 2.5KV opto-isolator input (H:5-24V, L:0-1.5V), 8-bit 2.5KV opto-isolator output(200mA)	Dimension (W*H*D)	S001(202*151*80.8mm), with expansion module (202*151*151mm)
I/O Port	2*Gig-LAN(RJ45), 4*POE (RJ45), 1*DP+1*DVI-I 4*USB3.0; 1*MIO with CAN, Uart signal, 16-bit Iso DIO(Phoenix terminal), 2*RS232/422/485 with isolated TVS(DB9)	Net weight	S001: 3KG; with expansion module: 4.4KG
LED	1*power LED, 1*HDD LED, 3*CPU temperature indicator (Red as warning, Yellow as high temperature, Green as normal temperature)	Environmental	
Switches	1*power button, 1*AT/AT switch, 1*Clear CMOS switch	Operating temperature	-20°C~60°C with wide temperature SSD
Power Requirement	DC 12~24V input, 2*2-pin terminal block connector, power consumption: S001(49.2W I7-6700T 4GB), with expansion module (52.8W I7-6700T 4GB)	Storage temperature	-40°C~85°C
		Storage humidity	10~90%@40°C, Non-condensing
		Vibration	5 grms/5~500Hz/random/during operation(with SSD); 1 grms/5~500Hz/random/during operation(with HDD)
		Shock	50g peak acceleration(duration;11ms)(with SSD); 20g peak acceleration(duration;11ms)(with HDD)
		Certification /EMC	CE/FCC Class B

I/O View



Dimensions



Ordering Information

Model	Processor	RAM	Display	I/O Port	Expansion	Storage	Power Supply
KGEC-6301/S001	Intel® Skylake-S/Kabylake-S LGA1151 CPU	1x DDR4 MAX 16GB	1x DVI-I 1x DP	2x LAN/4x POE 4x USB3.0 2x COM 16bit Iso DIO	1x Mini PCIe	1x mSATA	DC 12~24V
3 slot expansion module	1*PCIeX4 Slots (X1 signal)+2*PCI, 3 expansion slot						
PA-120DC19	AC/DC adapter,direct current of 19V/6.32A 120W						
PA-220DC24	AC/DC adapter,direct current of 24V/9.17A 220W						

CPU Support

Model	Intel® Core™						Intel® Pentium®			
Series	I3-7100		I5-7500		I7-7700		G4600		G4600T	
7th Gen	I3-7100	2C4T	I5-7500	4C4T	I7-7700	4C8T	G4600	2C2T	G4600T	2C2T
	I3-7100T	2C4T	I5-7500T	4C4T	I7-7700T	4C8T				
6th Gen	I3-6100	2C4T	I5-6500	4C4T	I7-6700	4C8T	G4400	2C2T	G4400T	2C2T
	I3-6100T	2C4T	I5-6500T	4C4T	I7-6700T	4C8T				

KGEC-6310

Intel® Whiskey lake-U CPU, 4*LAN, 2*USB3.1, 3*USB2.0, HDMI, DVI-D, 2*COM, 8-bit DIO, Real-time Operating System RTOS, and Time Sensitive Networking TSN.

Key Specification

- Intel® Whiskey lake-U CPU
- Aluminum chassis and fanless heat dissipation design
- 1*HDMI, 1*DVI-D, Dual display interface, prolong display without attenuation
- 3*I210AT Internet chipset, optional support for time sensitive networking (TSN)
- 1*I219LM, support iAMT12.0
- BIOS optimization and support real-time operating system (RTOS)
- 1*Mini PCIe with SIM slot, 1*M.2, 2230 E-Key
- Support third-party software platform (optional)
- DC12~24V wide voltage power supply, with reverse polarity protection, overcurrent and overvoltage protection
- Suitable for wall-mounting and Din-rail mounting



Product Overview

KGEC-6310 is a brand new edge controller with 4*LAN ports. Three of the four LAN ports use Intel I210AT internet chipset, which support EtherCAT Protocol and able to connect to network cameras. It is suitable for both wall-mounting and Din-Rail mounting. BIOS optimize and support real-time system (RTOS), Ubuntu preemt-RT and optional support to INTime. With compact aluminum chassis and fanless heat dissipation design, KGEC-6310 is extremely powerful and suitable for machine vision, CNC machine tools, construction machinery and other fields.

Product Parameters

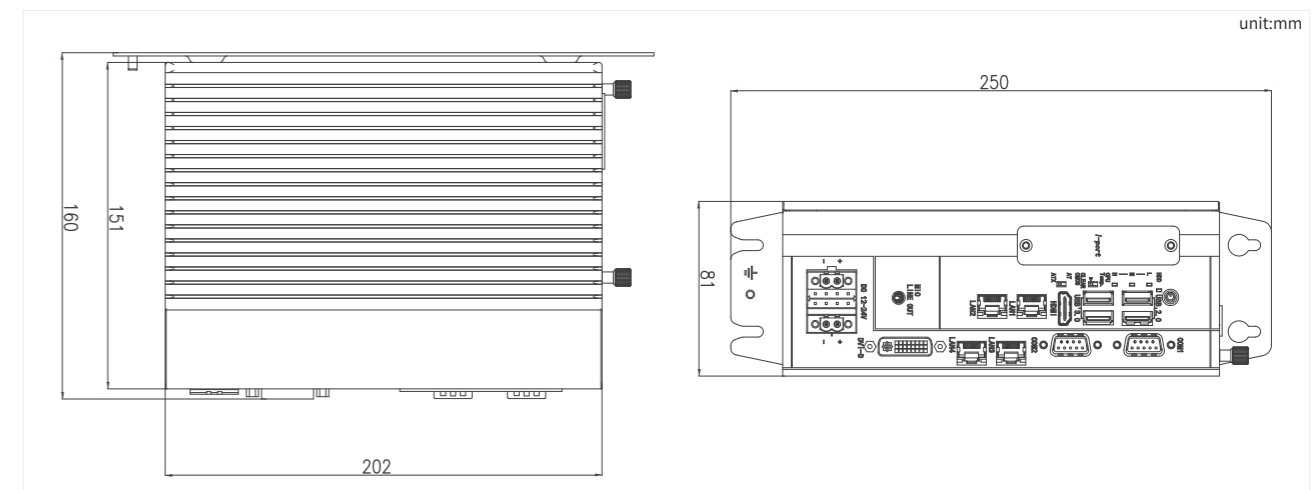
System

CPU	8th gen Intel Whiskeylake U: Celeron 4305U; Core U: I3-8145U; I5-8265U; I7-8565U	Power Requirement	DC 12~24V input, 2*2-pin terminal block connector, Consumption: 12V/2.64A (CPU I3-8145U 4GB)
RAM	dual channel DDR4 SO-DIMM, max support 2400MHz, max 32GB	Operating System	RTOS: INtime, EC-Win, RTX-2014/2016 and Ubuntu Preempt-RT Windows 10, SUSE, Ubuntu, Wind River, Red Hat Enterprise
Expansion	1*M.2 E-key, with PCIe X1+USB2.0 signal, Wifi/BT expansion module 1*Mini PCIe, with SIM slot, PCIe X1+USB2.0 signal, support 3G/4G/Wifi/BT/GPRS and other wireless function	Watchdog timer	Programmable timeout interruption period or system reset from 1 to 255 secs
Graphics	Intel Gen. 9 UHD Graphics, HEVC/H265 HW HD codec HDMI max resolution 4096*2304@60Hz DVI-D max resolution 2560x1600, 60Hz	Mechanical	
Audio	Optional support Realtek ALC662 audio, 1*Line out & Mic High fidelity audio support 5.1 audio channel	Structure	Aluminum chassis, SGCC frame
LAN	3*Intel I210AT PCIe Gig. Ethernet, 10/100/1000Mbps; 1*Intel® I219LM, support iAMT12.0 and iVpro tech	Color	Dark grey
Storage	1*2.5" SATA3.0 HDD/SSD, 1*mSATA full-size card, support AHCI	Installation Method	Wall-mounting, Din-Rail mounting
I/O Port	4*Gig-LAN(RJ45); 2*USB3.1(Type A), 2*USB2.0(Type A) 2*RS232/422/485 (DB9) 1*8-bit DIO (1*10Pin Phoenix terminal) 1*HDMI+1*DVI-D 1*Line out & Mic 3.5mm phone jack	Dimension (W*H*D)	202*151*81mm
I-port	1*I-port support 1*USB2.0, 1*DVI-D, Mini-PCIe, M.2 and other expansions	Net Weight	2.59KG
LED	1*power LED, 1*HDD LED, 3*CPU temperature indicator (Red as warning, Yellow as high temperature, Green as green temperature)	Environmental	
Switch	1*power button, 1*AT/ATX switch, 1*Clear CMOS switch	Operating temperature	-20°C~60°C wide temperature SSD
		Storage temperature	-40°C~85°C
		Storage humidity	10~90%@40°C, Non-condensing
		Vibration	5 grms/5~500Hz/random/during operation(with SSD); 1 grms/5~500Hz/random/during operation(with HDD)
		Shock	50g peak acceleration(duration;11ms)(with SSD); 20g peak acceleration(duration;11ms)(with HDD)
		Certification/EMC	CE/FCC Class B

I/O View



Dimensions



Ordering Information

Model	Processor	RAM	Display	I/O Port	Audio	Expansion	Storage	Power Supply
KGEC-6310/S001	Intel® Core I3-8145U							
KGEC-6310/S002	Intel® Core I5-8265U	2x DDR4 MAX 32GB	1x DVI-D 1x HDMI	4x LAN 2x USB 3.1 2x USB 2.0 8-bit DIO 2x COM	1x Line out 1x MIC	1x Mini PCIe 1x M2	1x mSATA 1x "2.5" SATA3.0	DC 12~24V
KGEC-6310/S003	Intel® Core I7-8565U							
KGEC-6310/S004	Intel® Celeron 4305U							
PA-60DC12	AC/DC adapter, direct current of 12V/5A 60W							

JHCTECH IoT Computer
Connecting the Dots

Stay tuned for more innovative products!