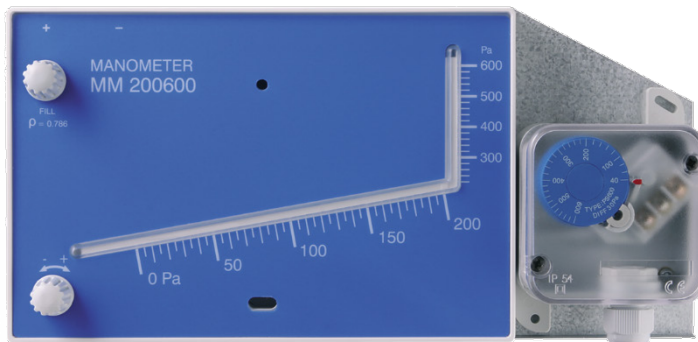


Datasheet

Subject to technical alteration
Issue date: 14.08.2020 · A110



» APPLICATION

Differential pressure Inclined-Tube-Manometer for monitoring the differential pressure of air and other nonflammable and non-aggressive gases. Besides monitoring, the MM PS has an integrated differential pressure switch.

Possible applications: Monitoring of air filters, fans, industrial cooling air cycles as well as overheating protection, control of air and fire dampers, anti-freeze with heat exchangers.

» TYPES AVAILABLE

Type	Measuring range	Switch range
MM200600/PS600	0..600 Pa	40..600 Pa
MM5001500/PS1500	0..1500 Pa	100..1500 Pa

» SECURITY ADVICE – CAUTION



The installation and assembly of the device should only be performed by authorized personnel.

The product should only be used for the intended application. Unauthorised modifications are prohibited! The product must not be used in relation with any equipment that in case of a failure may threaten, directly or indirectly, human health or life or result in danger to human beings, animals or assets. Ensure all power is disconnected before installing. Do not connect to live/operating equipment.

Please comply with

- Local laws, health & safety regulations, technical standards and regulations
- Condition of the device at the time of installation, to ensure safe installation
- This data sheet and installation manual

» PRODUCT TESTING AND CERTIFICATION



Declaration of conformity

The declaration of conformity of the products can be found on our website <https://www.thermokon.de/>.

» NOTES ON DISPOSAL



As a component of a large-scale fixed installation, Thermokon products are intended to be used permanently as part of a building or a structure at a pre-defined and dedicated location, hence the Waste Electrical and Electronic Act (WEEE) is not applicable. However, most of the products may contain valuable materials that should be recycled and not disposed of as domestic waste. Please note the relevant regulations for local disposal.

» TECHNICAL DATA

Measuring values	differential pressure
Medium	air, non-aggressive gases, non-flammable gases
Output switch contact	switching difference PS600: 30 Pa PS1500: 80 Pa max. 3 A resistive max. 2 A inductive; max. 250 VAC
Operating temperature range	-20..+60 °C
Measuring range pressure	0..600 Pa
Accuracy pressure	<± 2% of measuring rang, typ. at 20°C
Max. working overpressure	50 kPa
Switching values	switching capacity, switching capacity max. 3 A resistive load, 2 A inductive load, max. 250 V ~, miniature switches with silver contacts, range: 40..600 Pa, service life: >1.000.000 switching operations
Enclosure	ABS, MM: cover PMMA, MM PS: cover PC, membrane silicone
Protection	IP54 according to EN 60529
Cable entry	M16 for wire max. Ø=8 mm
Connection electrical	terminal block, max. 1,5 mm ²
Connection mechanical	pressure connection: ABS, connection tube: PVC, soft
Ambient condition	-40..+85 °C, max. 85% rH short term condensation
Delivery contents	2 mounting screws, 2 plastic duct flanges, 2 m PVC connection tube soft, Ø=4/7 mm, 30 ml gauge fluid, 2 indication stickers (red/green)
Notes	Gauge fluid: red, s.g. 0,786 kg/dm ³ (15 °C) blue, s.g. 1,870 kg/dm ³ (15 °C)

» MOUNTING ADVICES

The manometer should be screwed on a vertical surface. The device must be mounted balanced with the self-drilling screws herewith enclosed.

Turn back the zero button to the stop position. Then turn one rotation clockwise, so that the adjustment can be conducted in both directions. Screw-off the filling button and fill with gauge fluid until the fluid is visible close to the zero-point on the scale. Make an exact adjustment with the zero button and screw-on the filling button.

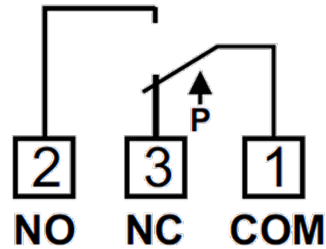
Establish a connection between the connector (-) of the measuring device with the flow-off side of the filter as well as the connector (+) of the measuring device with the flow-on side of the filter. To mark the start (green) and endpressure (red), bond the green and red adhesive label side by side upon the scale. Please note the recommendation of the equipment manufacturer regarding the recommended pressure loss values.

Check the oil level at regular intervals and readjust the zero button if necessary. Before the readjustment please make sure that the device is unpressurized. Therefore the tube must be at first pulled off on the upside of the device. Fill up with oil if necessary.

» COMMISSIONING

A prerequisite for the operation is a proper installation of all electrical supply, control and sensing leads as well as the pressurized connection line. Before installing the device, the leak tightness of the pressurized connection lines has to be inspected.

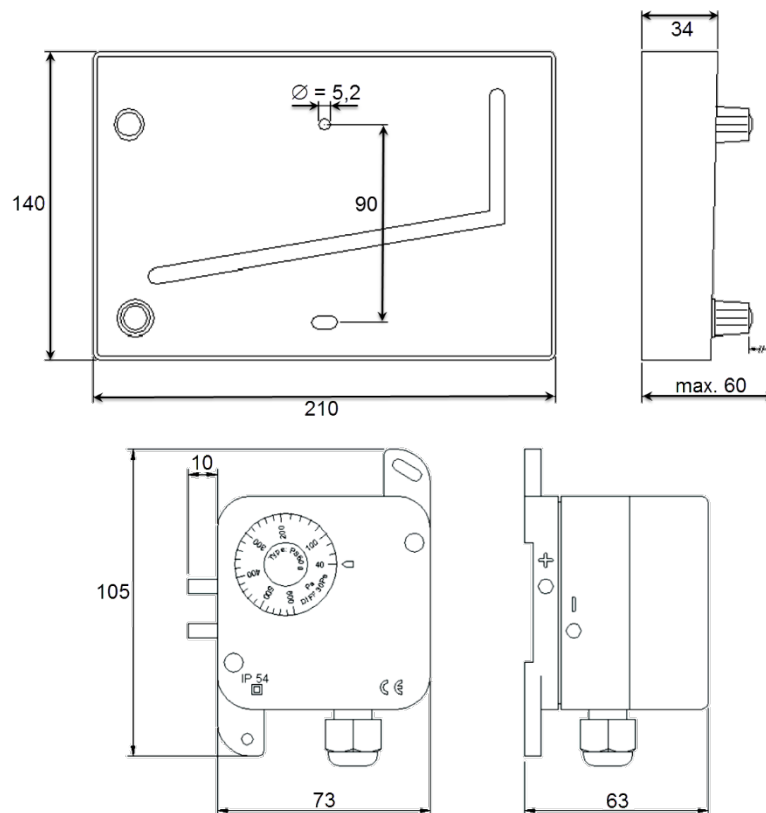
» TERMINAL CONNECTION PLAN



When differential pressure increases:

- 1-3 open
- 1-2 close

» DIMENSIONS (MM)



» STANDARD ACCESSORIES

- 2 fixing screws
- 2 plastic duct connectors
- 2 meter PVC-tube soft, \varnothing 4/7mm
- Gauge fluid
- Red / green stickers