
LX3V-16EX

last modified by admin

on 2022/06/08 14:42

Table of Contents

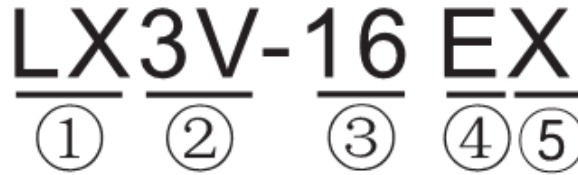
1 General	3
2 Naming rule	3
3 Dimensions	3
3.1 Crimp terminations	4
4 Output specification	4

1 General

This manual is applied to LX3V-8EX and LX3V-16EX digital input expansion modules.

2 Naming rule

Naming rule of LX3V I/O input expansion module:

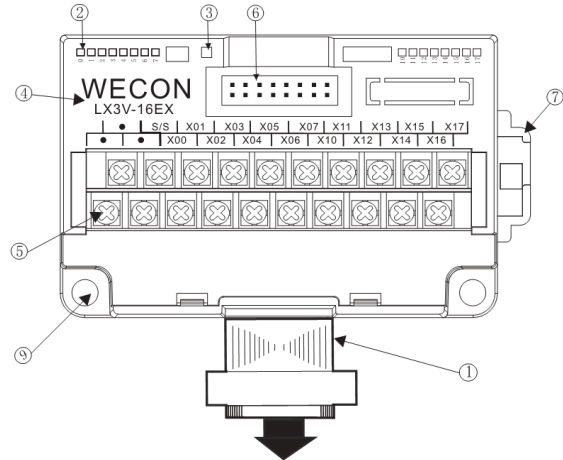
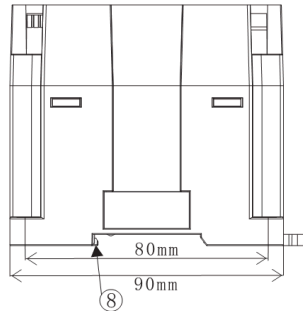
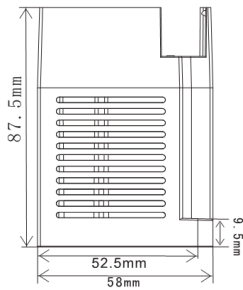


1. WECON PLC;
2. Main module;
3. Expansion module;
4. Product type, E means expansion;
5. Expansion input(X);

3 Dimensions

Weight: Approx 0.3kg (0.66lbs)

Dimensions: mm

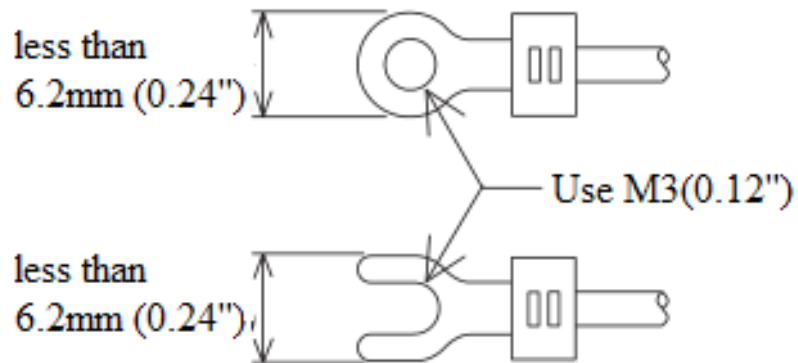


1. Extension cable and connector
2. State LED: Light when normal condition
3. Power LED: Light when connect to 24V

4. Module name
5. digital signal output terminal
6. Extension module interface
7. DIN rail mounting slot
8. DIN rail hook
9. Mounting holes ($\varphi 4.5$)

3.1 Crimp terminations

- Please use crimp terminals as indicated on the graph.
- The tightening torque should be applied 5 to 8 Kg.cm.
- Other terminals should be empty but only wiring terminals mention in this manual.

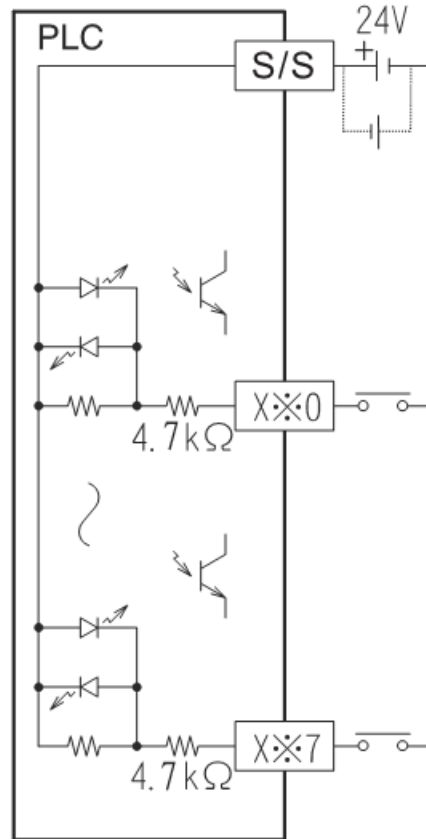


4 Output specification

Item
Mode

DC input
LX3V-16EX

Output circuit



Input voltage
 Input current
 Input ON current
 Input OFF current
 Input response time

Input signal
 Circuit insulation
 LED

DC $\pm 24V \pm 10\%$ *1
 5mA/ DC 24V
 More than 3.5mA
 Less than 1.5mA
 About 10ms
 X0~X7 built-in digital filter, setting time 0 ~ 60ms
 Contactor NPN or PNP
 Photo-coupling
 Lights when input is energized