



01

inTEG FSE  
FREE-STANDING  
ENCLOSURES



**inTEG FSE free-standing enclosures  
– benefits and specifications**

8

**Sheet steel**

9

**Accessories**

13

# inTEG FSE FREE-STANDING ENCLOSURES



➤ **inTEG free-standing enclosures** are our key product for industrial applications. The welded rack frame is made of a special cold-rolled profile. This technological process together with the patented shape of the profile meets the maximum rigidity and load requirements of the rack. The inTEG cabinet can be used without any additional stand thanks to the design of the lower frame, this solution does not reduce the space for the indoor installations. To create a variety of mounting surfaces and planes, we offer a wide range of system accessories designed for optimal use of the frame profile. Of course, there is also a solution for the thermal management of the internal space of the enclosure. From heating units all the way to filter fans and active cooling units.



Maximum use of interior space - possibility of placing the mounting plate between the rear uprights



Wide range of system rails creates additional mounting levels for individual installation.



Easy to close doors thanks to a special 4-point locking system



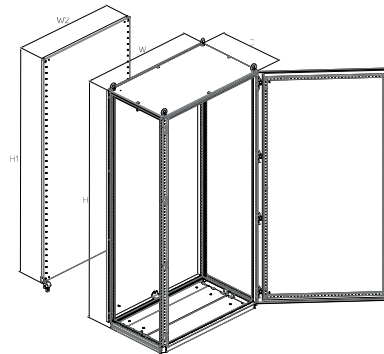
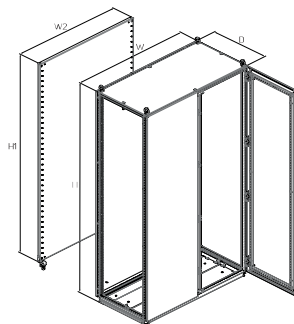
Designed lift-up handle part of the standard equipment

## MAIN ADVANTAGES

- Welded frame construction made of special cold-rolled profile - powder coated
- The closed cold-rolled profile is made out of a zinc-plated sheet steel and is welded by a laser
- Load capacity 1500 kg
- Single-door and double-door cabinet designs
- Can be installed without an additional supporting plinth
- Designer lift-up handle - the standard for all rack types
- Easy to close doors thanks to a special locking system
- Maximum use of interior space - possibility of placing the mounting plate between the rear posts
- Easy side panel fixing thanks to the possibility of hanging
- Possible to assemble into a row
- 46 sizes from 1800x400x500 mm up to 2200x1200x800 mm
- Wide assortment of accessories
- Tailor-made customer solutions - cut-outs according to your requirements before and after final surface finishing
- Norms EN 61439, EN 62208

# inTEG FSE FREE-STANDING ENCLOSURES

## SHEET STEEL



COLOR:  RAL 7035

### TECHNICAL SPECIFICATIONS

#### Material

- Frame: zinc-plated electrolytic material DC1+ZE25/25APC
- Rack: sheet steel
- Mounting plate: zinc-plated sheet steel

#### Rack surface finish

- Epoxy-polyester powder coating

#### Color

- RAL 7035 for indoor use

#### IP rating

- IP55 according to the EN 60529 norm (the degree of protection can be reduced after mounting some accessories)

#### Mechanical resistance

- IK10 according to IEC 6226

#### Supply includes:

- Welded frame construction of the enclosure
- Full door with swing handle (single-door / two-door), doors are equipped with a four-point locking system

- The door hinges are located on the right-hand side of the single-door rack (door can be changed to open from right to left)
- Rear and top panel
- Multi-part gland plate
- Mounting plate with raster
- Transport holes

For detailed technical information, see page 56-57

### FREE-STANDING ENCLOSURE HEIGHT 1800 mm

|                              |                    | 1800       | 1800       | 1800       | 1800       | 1800       | 1800       | 1800       | 1800       | 1800       |
|------------------------------|--------------------|------------|------------|------------|------------|------------|------------|------------|------------|------------|
| Enclosure                    | H (mm)             | 1800       | 1800       | 1800       | 1800       | 1800       | 1800       | 1800       | 1800       | 1800       |
|                              | W (mm)             | 400        | 400        | 600        | 600        | 600        | 800        | 800        | 800        | 800        |
|                              | D (mm)             | 500        | 600        | 400        | 500        | 600        | 400        | 500        | 500        | 600        |
| Mounting plate               | H1 (mm)            | 1691       | 1691       | 1691       | 1691       | 1691       | 1691       | 1691       | 1691       | 1691       |
|                              | W2 (mm)            | 297        | 297        | 497        | 497        | 497        | 697        | 697        | 697        | 697        |
| Material thickness (mm)      | Rear and top panel | 1.5        | 1.5        | 1.5        | 1.5        | 1.5        | 1.5        | 1.5        | 1.5        | 1.5        |
|                              | Door sections      | 2          | 2          | 2          | 2          | 2          | 2          | 2          | 2          | 2          |
|                              | Mounting plate     | 3          | 3          | 3          | 3          | 3          | 3          | 3          | 3          | 3          |
| Door                         |                    | 1          | 1          | 1          | 1          | 1          | 1          | 1          | 2          | 1          |
| Gland plate, number of parts |                    | 2          | 3          | 2          | 2          | 3          | 2          | 2          | 2          | 3          |
| Weight (kg)                  |                    | 71.2       | 72.1       | 91.2       | 92.3       | 95.9       | 112.3      | 115.7      | 118.1      | 120.5      |
| Code                         | 1 pc               | FSE-180405 | FSE-180406 | FSE-180604 | FSE-180605 | FSE-180606 | FSE-180804 | FSE-180805 | FSE-280805 | FSE-180806 |

#### ACCESSORIES

|                |                |                 |             |             |             |             |             |             |             |             |
|----------------|----------------|-----------------|-------------|-------------|-------------|-------------|-------------|-------------|-------------|-------------|
| Side panels    | 1 set          | ID-F-S1805      | ID-F-S1806  | ID-F-S1804  | ID-F-S1805  | ID-F-S1806  | ID-F-S1804  | ID-F-S1805  | ID-F-S1805  | ID-F-S1806  |
| Baying kit     | 1 set          | ID-F-ROW        | ID-F-ROW    | ID-F-ROW    | ID-F-ROW    | ID-F-ROW    | ID-F-ROW    | ID-F-ROW    | ID-F-ROW    | ID-F-ROW    |
| Plinth 100 mm  | front and rear | 1 set           | ID-F-PF04   | ID-F-PF04   | ID-F-PF06   | ID-F-PF06   | ID-F-PF06   | ID-F-PF08   | ID-F-PF08   | ID-F-PF08   |
|                | side parts     |                 | ID-F-PS05   | ID-F-PS06   | ID-F-PS04   | ID-F-PS05   | ID-F-PS06   | ID-F-PS04   | ID-F-PS05   | ID-F-PS06   |
| Plinth 200 mm  | front and rear | 1 set           | ID-F-PF0402 | ID-F-PF0402 | ID-F-PF0602 | ID-F-PF0602 | ID-F-PF0602 | ID-F-PF0802 | ID-F-PF0802 | ID-F-PF0802 |
|                | side parts     |                 | ID-F-PS0502 | ID-F-PS0602 | ID-F-PS0402 | ID-F-PS0502 | ID-F-PS0602 | ID-F-PS0402 | ID-F-PS0502 | ID-F-PS0602 |
| Mounting rails | 1 set          | see pages 14-16 |             |             |             |             |             |             |             |             |

To order the cabinet without the mounting plate, use code FSE-xxxxx-01

**FREE-STANDING ENCLOSURE HEIGHT 1800 mm**

|                              |                      |            |            |            |            |            |            |            |            |
|------------------------------|----------------------|------------|------------|------------|------------|------------|------------|------------|------------|
| Enclosure                    | H (mm)               | 1800       | 1800       | 1800       | 1800       | 1800       | 1800       | 1800       | 1800       |
|                              | W (mm)               | 800        | 1000       | 1000       | 1000       | 1000       | 1200       | 1200       | 1200       |
|                              | D (mm)               | 600        | 400        | 400        | 500        | 600        | 400        | 500        | 600        |
| Mounting plate               | H1 (mm)              | 1691       | 1691       | 1691       | 1691       | 1691       | 1691       | 1691       | 1691       |
|                              | W2 (mm)              | 697        | 897        | 897        | 897        | 897        | 1097       | 1097       | 1097       |
| Material thickness (mm)      | Front and rear panel | 1.5        | 1.5        | 1.5        | 1.5        | 1.5        | 1.5        | 1.5        | 1.5        |
|                              | Door sections        | 2          | 2          | 2          | 2          | 2          | 2          | 2          | 2          |
|                              | Mounting plate       | 3          | 3          | 3          | 3          | 3          | 3          | 3          | 3          |
| Door                         |                      | 2          | 1          | 2          | 1          | 1          | 2          | 2          | 2          |
| Gland plate, number of parts |                      | 3          | 2          | 2          | 2          | 3          | 4          | 4          | 6          |
| Weight (kg)                  |                      | 123.9      | 138.9      | 142.3      | 139.8      | 140.8      | 166.2      | 167.2      | 168.2      |
| Code                         | 1 pc                 | FSE-280806 | FSE-181004 | FSE-281004 | FSE-181005 | FSE-181006 | FSE-281204 | FSE-281205 | FSE-281206 |

**ACCESSORIES**

|                |                |                 |             |             |             |             |             |             |             |
|----------------|----------------|-----------------|-------------|-------------|-------------|-------------|-------------|-------------|-------------|
| Side panels    | 1 set          | ID-F-S1806      | ID-F-S1804  | ID-F-S1804  | ID-F-S1805  | ID-F-S1806  | ID-F-S1804  | ID-F-S1805  | ID-F-S1806  |
| Baying kit     | 1 set          | ID-F-ROW        | ID-F-ROW    | ID-F-ROW    | ID-F-ROW    | ID-F-ROW    | ID-F-ROW    | ID-F-ROW    | ID-F-ROW    |
| Plinth 100 mm  | front and rear | 1 set           | ID-F-PF08   | ID-F-PF10   | ID-F-PF10   | ID-F-PF10   | ID-F-PF10   | ID-F-PF12   | ID-F-PF12   |
|                | side parts     |                 | ID-F-PS06   | ID-F-PS04   | ID-F-PS04   | ID-F-PS05   | ID-F-PS06   | ID-F-PS04   | ID-F-PS05   |
| Plinth 200 mm  | front and rear | 1 set           | ID-F-PF0802 | ID-F-PF1002 | ID-F-PF1002 | ID-F-PF1002 | ID-F-PF1002 | ID-F-PF1202 | ID-F-PF1202 |
|                | side parts     |                 | ID-F-PS0602 | ID-F-PS0402 | ID-F-PS0402 | ID-F-PS0502 | ID-F-PS0602 | ID-F-PS0402 | ID-F-PS0502 |
| Mounting rails | 1 set          | see pages 14–16 |             |             |             |             |             |             |             |

To order the cabinet without the mounting rails, use code FSE-xxxxxx-01

**FREE-STANDING ENCLOSURE HEIGHT 2000 mm**

|                              |                    |            |            |            |            |            |            |            |
|------------------------------|--------------------|------------|------------|------------|------------|------------|------------|------------|
| Enclosure                    | H (mm)             | 2000       | 2000       | 2000       | 2000       | 2000       | 2000       | 2000       |
|                              | W (mm)             | 400        | 400        | 600        | 600        | 600        | 600        | 800        |
|                              | D (mm)             | 500        | 600        | 400        | 500        | 600        | 800        | 400        |
| Mounting plate               | H1 (mm)            | 1891       | 1891       | 1891       | 1891       | 1891       | 1891       | 1891       |
|                              | W2 (mm)            | 297        | 297        | 497        | 497        | 497        | 497        | 697        |
| Material thickness (mm)      | Rear and top panel | 1.5        | 1.5        | 1.5        | 1.5        | 1.5        | 1.5        | 1.5        |
|                              | Door sections      | 2          | 2          | 2          | 2          | 2          | 2          | 2          |
|                              | Mounting plate     | 3          | 3          | 3          | 3          | 3          | 3          | 3          |
| Door                         |                    | 1          | 1          | 1          | 1          | 1          | 1          | 1          |
| Gland plate, number of parts |                    | 2          | 3          | 2          | 2          | 3          | 4          | 2          |
| Weight (kg)                  |                    | 76.5       | 77.9       | 99.4       | 101.1      | 102.8      | 106.4      | 123.6      |
| Code                         | 1 pc               | FSE-200405 | FSE-200406 | FSE-200604 | FSE-200605 | FSE-200606 | FSE-200608 | FSE-200804 |

**ACCESSORIES**

|                |                |                 |             |             |             |             |             |             |
|----------------|----------------|-----------------|-------------|-------------|-------------|-------------|-------------|-------------|
| Side panels    | 1 set          | ID-F-S2005      | ID-F-S2006  | ID-F-S2004  | ID-F-S2005  | ID-F-S2006  | ID-F-S2008  | ID-F-S2004  |
| Baying kit     | 1 set          | ID-F-ROW        | ID-F-ROW    | ID-F-ROW    | ID-F-ROW    | ID-F-ROW    | ID-F-ROW    | ID-F-ROW    |
| Plinth 100 mm  | front and rear | 1 set           | ID-F-PF04   | ID-F-PF04   | ID-F-PF06   | ID-F-PF06   | ID-F-PF06   | ID-F-PF08   |
|                | side parts     |                 | ID-F-PS05   | ID-F-PS06   | ID-F-PS04   | ID-F-PS05   | ID-F-PS06   | ID-F-PS08   |
| Plinth 200 mm  | front and rear | 1 set           | ID-F-PF0402 | ID-F-PF0402 | ID-F-PF0602 | ID-F-PF0602 | ID-F-PF0602 | ID-F-PF0802 |
|                | side parts     |                 | ID-F-PS0502 | ID-F-PS0602 | ID-F-PS0402 | ID-F-PS0502 | ID-F-PS0602 | ID-F-PS0802 |
| Mounting rails | 1 set          | see pages 14–16 |             |             |             |             |             |             |

To order the cabinet without the mounting plate, use code FSE-xxxxxx-01

| FREE-STANDING ENCLOSURE HEIGHT 2000 mm |                    |                 |             |             |             |             |             |             |
|--|--------------------|-----------------|-------------|-------------|-------------|-------------|-------------|-------------|
| Enclosure                              | H (mm)             | 2000            | 2000        | 2000        | 2000        | 2000        | 2000        | 2000        |
|  | W (mm)             | 800             | 800         | 800         | 1000        | 1000        | 1000        | 1000        |
|  | D (mm)             | 500             | 600         | 800         | 400         | 400         | 500         | 500         |
| Mounting plate                         | H1 (mm)            | 1891            | 1891        | 1891        | 1891        | 1891        | 1891        | 1891        |
|  | W2 (mm)            | 697             | 697         | 697         | 897         | 897         | 897         | 897         |
| Material thickness (mm)                | Rear and top panel | 1.5             | 1.5         | 1.5         | 1.5         | 1.5         | 1.5         | 1.5         |
|  | Door sections      | 2               | 2           | 2           | 2           | 2           | 2           | 2           |
|  | Mounting plate     | 3               | 3           | 3           | 3           | 3           | 3           | 3           |
| Door                                   |                    | 1               | 1           | 1           | 1           | 2           | 1           | 2           |
| Gland plate, number of parts           |                    | 2               | 3           | 4           | 2           | 2           | 2           | 2           |
| Weight (kg)                            |                    | 125.5           | 127         | 131.5       | 144.4       | 148.9       | 148.4       | 154.5       |
| Code                                   | 1 pc               | FSE-200805      | FSE-200806  | FSE-200808  | FSE-201004  | FSE-301004  | FSE-201005  | FSE-301005  |
| ACCESSORIES                            |                    |                 |             |             |             |             |             |             |
| Side panels                            | 1 set              | ID-F-S2005      | ID-F-S2006  | ID-F-S2008  | ID-F-S2004  | ID-F-S2004  | ID-F-S2005  | ID-F-S2005  |
| Baying kit                             | 1 set              | ID-F-ROW        | ID-F-ROW    | ID-F-ROW    | ID-F-ROW    | ID-F-ROW    | ID-F-ROW    | ID-F-ROW    |
| Plinth 100 mm                          | front and rear     | ID-F-PF08       | ID-F-PF08   | ID-F-PF08   | ID-F-PF10   | ID-F-PF10   | ID-F-PF10   | ID-F-PF10   |
|  | side parts         | ID-F-PS05       | ID-F-PS06   | ID-F-PS08   | ID-F-PS04   | ID-F-PS04   | ID-F-PS05   | ID-F-PS05   |
| Plinth 200 mm                          | front and rear     | ID-F-PF0802     | ID-F-PF0802 | ID-F-PF0802 | ID-F-PF1002 | ID-F-PF1002 | ID-F-PF1002 | ID-F-PF1002 |
|  | side parts         | ID-F-PS0502     | ID-F-PS0602 | ID-F-PS0802 | ID-F-PS0402 | ID-F-PS0402 | ID-F-PS0502 | ID-F-PS0502 |
| Mounting rails                         | 1 set              | see pages 14–16 |             |             |             |             |             |             |

To order the cabinet without the mounting plate, use code FSE-xxxxxx-01

| FREE-STANDING ENCLOSURE HEIGHT 2000 mm |                    |                 |             |             |             |             |             |             |
|--|--------------------|-----------------|-------------|-------------|-------------|-------------|-------------|-------------|
| Enclosure                              | H (mm)             | 2000            | 2000        | 2000        | 2000        | 2000        | 2000        | 2000        |
|  | W (mm)             | 1000            | 1000        | 1000        | 1200        | 1200        | 1200        | 1200        |
|  | D (mm)             | 600             | 600         | 800         | 400         | 500         | 600         | 800         |
| Mounting plate                         | H1 (mm)            | 1891            | 1891        | 1891        | 1891        | 1891        | 1891        | 1891        |
|  | W2 (mm)            | 897             | 897         | 897         | 1097        | 1097        | 1097        | 1097        |
| Material thickness (mm)                | Rear and top panel | 1.5             | 1.5         | 1.5         | 1.5         | 1.5         | 1.5         | 1.5         |
|  | Door sections      | 2               | 2           | 2           | 2           | 2           | 2           | 2           |
|  | Mounting plate     | 3               | 3           | 3           | 3           | 3           | 3           | 3           |
| Door                                   |                    | 1               | 2           | 1           | 2           | 2           | 2           | 2           |
| Gland plate, number of parts           |                    | 3               | 3           | 4           | 4           | 4           | 6           | 8           |
| Weight (kg)                            |                    | 153.3           | 159.8       | 157.8       | 140.9       | 177.2       | 183.2       | 200.2       |
| Code                                   | 1 pc               | FSE-201006      | FSE-301006  | FSE-201008  | FSE-301204  | FSE-301205  | FSE-301206  | FSE-301208  |
| ACCESSORIES                            |                    |                 |             |             |             |             |             |             |
| Side panels                            | 1 set              | ID-F-S2006      | ID-F-S2006  | ID-F-S2008  | ID-F-S2004  | ID-F-S2005  | ID-F-S2006  | ID-F-S2008  |
| Baying kit                             | 1 set              | ID-F-ROW        | ID-F-ROW    | ID-F-ROW    | ID-F-ROW    | ID-F-ROW    | ID-F-ROW    | ID-F-ROW    |
| Plinth 100 mm                          | front and rear     | ID-F-PF10       | ID-F-PF10   | ID-F-PF10   | ID-F-PF12   | ID-F-PF12   | ID-F-PF12   | ID-F-PF12   |
|  | side panels        | ID-F-PS06       | ID-F-PS06   | ID-F-PS08   | ID-F-PS04   | ID-F-PS05   | ID-F-PS06   | ID-F-PS08   |
| Plinth 200 mm                          | front and rear     | ID-F-PF1002     | ID-F-PF1002 | ID-F-PF1002 | ID-F-PF1202 | ID-F-PF1202 | ID-F-PF1202 | ID-F-PF1202 |
|  | side panels        | ID-F-PS0602     | ID-F-PS0602 | ID-F-PS0802 | ID-F-PS0402 | ID-F-PS0502 | ID-F-PS0602 | ID-F-PS0802 |
| Mounting rails                         | 1 set              | see pages 14–16 |             |             |             |             |             |             |

To order the cabinet without the mounting plate, use code FSE-xxxxxx-01

**FREE-STANDING ENCLOSURES HEIGHT 2200 mm**

|                              |                    |            |            |            |            |            |            |            |            |
|------------------------------|--------------------|------------|------------|------------|------------|------------|------------|------------|------------|
| Enclosure                    | H (mm)             | 2200       | 2200       | 2200       | 2200       | 2200       | 2200       | 2200       | 2200       |
|                              | W (mm)             | 400        | 600        | 600        | 800        | 800        | 1000       | 1200       | 1200       |
|                              | D (mm)             | 600        | 600        | 800        | 600        | 800        | 600        | 600        | 800        |
| Mounting plate               | H1 (mm)            | 2091       | 2091       | 2091       | 2091       | 2091       | 2091       | 2091       | 2091       |
|                              | W2 (mm)            | 297        | 497        | 497        | 697        | 697        | 897        | 1097       | 1097       |
| Material thickness (mm)      | Rear and top panel | 1.5        | 1.5        | 1.5        | 1.5        | 1.5        | 1.5        | 1.5        | 1.5        |
|                              | Door sections      | 2          | 2          | 2          | 2          | 2          | 2          | 2          | 2          |
|                              | Mounting plate     | 3          | 3          | 3          | 3          | 3          | 3          | 3          | 3          |
| Door                         |                    | 1          | 1          | 1          | 1          | 1          | 1          | 2          | 2          |
| Gland plate, number of parts |                    | 3          | 3          | 4          | 3          | 4          | 3          | 6          | 8          |
| Weight (kg)                  |                    | 81.5       | 108.2      | 112.5      | 134.9      | 139.9      | 161.5      | 198.2      | 205.2      |
| Code                         | 1 pc               | FSE-220406 | FSE-220606 | FSE-220608 | FSE-220806 | FSE-220808 | FSE-221006 | FSE-321206 | FSE-321208 |

**ACCESSORIES**

|                |                |                 |             |             |             |             |             |             |             |
|----------------|----------------|-----------------|-------------|-------------|-------------|-------------|-------------|-------------|-------------|
| Side panels    | 1 set          | ID-F-S2206      | ID-F-S2206  | ID-F-S2208  | ID-F-S2206  | ID-F-S2208  | ID-F-S2206  | ID-F-S2206  | ID-F-S2208  |
| Baying kit     | 1 set          | ID-F-ROW        | ID-F-ROW    | ID-F-ROW    | ID-F-ROW    | ID-F-ROW    | ID-F-ROW    | ID-F-ROW    | ID-F-ROW    |
| Plinth 100 mm  | front and rear | 1 set           | ID-F-PF04   | ID-F-PF06   | ID-F-PF06   | ID-F-PF08   | ID-F-PF08   | ID-F-PF10   | ID-F-PF12   |
|                | Side panels    |                 | ID-F-PS06   | ID-F-PS06   | ID-F-PS08   | ID-F-PS06   | ID-F-PS08   | ID-F-PS06   | ID-F-PS06   |
| Plinth 200 mm  | front and rear | 1 set           | ID-F-PF0402 | ID-F-PF0602 | ID-F-PF0602 | ID-F-PF0802 | ID-F-PF0802 | ID-F-PF1002 | ID-F-PF1202 |
|                | Side panels    |                 | ID-F-PS0602 | ID-F-PS0602 | ID-F-PS0802 | ID-F-PS0602 | ID-F-PS0802 | ID-F-PS0602 | ID-F-PS0602 |
| Mounting rails | 1 set          | see pages 14–16 |             |             |             |             |             |             |             |

To order the cabinet without the mounting plate, use code FSE-xxxxxx-01

Recommended accessories



**Cooling units**

For more information [see pages 51–53](#)



**Filter fans**

More information [on page 50](#)



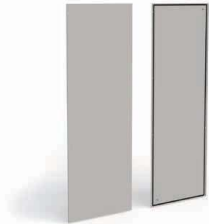
**Horizontal and vertical extrusions**

For more information [see pages 14–16](#)

# inTEG FSE FREE-STANDING ENCLOSURES

## ACCESSORIES

### SIDE PANELS



- Material: 1,5 mm sheet steel
- Color: RAL 7035
- Supply includes: mounting accessories

### PLINTHS



- Material: corner pieces 2 mm, other 1,5 mm sheet steel
- Color: RAL 9005
- It is necessary to order front and side set together
- Possibility of installing two plinths H 100 mm on top of each other
- Supply includes: mounting accessories

### BAYING KIT



- Material: clamps 3mm (5mm for eye-bolts) zinc-plated sheet steel
- Seal material: polyethylene foam PE-01, density 30-35 kg/m<sup>3</sup>
- Supply includes:
  - ID-F-ROW: 4 corner clamps, 6 pcs flat joints, gaskets, mounting accessories
  - ID-F-REB: 4 flat eye bolts, mounting accessories
  - ID-F-AKI: 4 flat clamps for indoor and outdoor mounting, mounting accessories

### MOUNTING PLATE - FILLER



- Material: 1,5mm zinc-plated sheet steel
- Supply includes: mounting accessories and wall-mounting brackets

| Code       | For cabinet dimension H x W (mm) | Package |
|------------|----------------------------------|---------|
| ID-F-S1804 | 1800x400                         | 1 set   |
| ID-F-S1805 | 1800x500                         | 1 set   |
| ID-F-S1806 | 1800x600                         | 1 set   |
| ID-F-S2004 | 2000x400                         | 1 set   |
| ID-F-S2005 | 2000x500                         | 1 set   |
| ID-F-S2006 | 2000x600                         | 1 set   |
| ID-F-S2008 | 2000x800                         | 1 set   |
| ID-F-S2206 | 2200x600                         | 1 set   |
| ID-F-S2208 | 2200x800                         | 1 set   |

1 set = 2 pieces

| PLINTH - FRONT AND REAR SET |                      |                              |         |
|-----------------------------|----------------------|------------------------------|---------|
| Plinth code H 100 mm        | Plinth code H 200 mm | For cabinet dimension W (mm) | Package |
| ID-F-PF04                   | ID-F-PF0402          | 400                          | 1 set   |
| ID-F-PF06                   | ID-F-PF0602          | 600                          | 1 set   |
| ID-F-PF08                   | ID-F-PF0802          | 800                          | 1 set   |
| ID-F-PF10                   | ID-F-PF1002          | 1000                         | 1 set   |
| ID-F-PF12                   | ID-F-PF1202          | 1200                         | 1 set   |

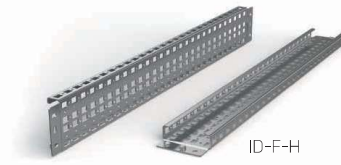
| PLINTH - SIDES SET   |                      |                              |         |
|----------------------|----------------------|------------------------------|---------|
| Plinth code H 100 mm | Plinth code H 200 mm | For cabinet dimension H (mm) | Package |
| ID-F-PS04            | ID-F-PS0402          | 400                          | 1 set   |
| ID-F-PS05            | ID-F-PS0502          | 500                          | 1 set   |
| ID-F-PS06            | ID-F-PS0602          | 600                          | 1 set   |
| ID-F-PS08            | ID-F-PS0802          | 800                          | 1 set   |

| Code     | Package                             |
|----------|-------------------------------------|
| ID-F-ROW | 4 corner and 6 flat clamps, gaskets |
| ID-F-REB | 4 flat eye bolts                    |
| ID-F-AKI | 4 clamp couplings                   |

| Code       | For cabinet dimensions H (mm) |
|------------|-------------------------------|
| ID-F-MMP18 | 1800                          |
| ID-F-MMP20 | 2000                          |
| ID-F-MMP22 | 2200                          |



## HORIZONTAL AND VERTICAL RAILS



- Material: 2 mm zinc-plated sheet steel
- Rail width: 90 mm (ID-F-H), 41,2 mm (ID-F-NH)
- Application: to create more mounting planes (horizontal and vertical)
- Mounting: ID-F-Hx on the sides of the frame profiles
- Mounting: ID-F-NHx between the frame profiles
- Supply includes: mounting accessories

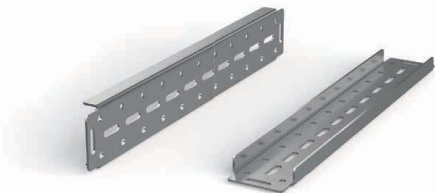
| Code     | For cabinet dimensions height/width/depth (mm) | Load capacity in horizontal position | Load capacity in vertical position | Package |
|----------|--|--------------------------------------|------------------------------------|---------|
| ID-F-H4  | 400  | 140 kg                               | 240 kg                             | 1 set   |
| ID-F-H5  | 500  | 100 kg                               | 240 kg                             | 1 set   |
| ID-F-H6  | 600  | 70 kg                                | 240 kg                             | 1 set   |
| ID-F-H8  | 800  | 50 kg                                | 180 kg                             | 1 set   |
| ID-F-H10 | 1000   | 50 kg                                | 140 kg                             | 1 set   |
| ID-F-H12 | 1200   | 50 kg                                | 120 kg                             | 1 set   |
| ID-F-H18 | 1800   | 36 kg                                | 80 kg                              | 1 set   |
| ID-F-H20 | 2000   | 32 kg                                | 70 kg                              | 1 set   |
| ID-F-H22 | 2200   | 28 kg                                | 65 kg                              | 1 set   |

1 set = 2 pieces

| Code      | For cabinet dimensions height/width/depth (mm) | Load capacity in horizontal position | Load capacity in vertical position | Package |
|-----------|--|--------------------------------------|------------------------------------|---------|
| ID-F-NH4  | 400  | 95 kg                                | 95 kg                              | 1 set   |
| ID-F-NH5  | 500  | 85 kg                                | 85 kg                              | 1 set   |
| ID-F-NH6  | 600  | 70 kg                                | 70 kg                              | 1 set   |
| ID-F-NH8  | 800  | 56 kg                                | 56 kg                              | 1 set   |
| ID-F-NH10 | 1000   | 45 kg                                | 45 kg                              | 1 set   |
| ID-F-NH12 | 1200   | 35 kg                                | 35 kg                              | 1 set   |
| ID-F-NH18 | 1800   | 21 kg                                | 21 kg                              | 1 set   |
| ID-F-NH20 | 2000   | 20 kg                                | 20 kg                              | 1 set   |
| ID-F-NH22 | 2200   | 19 kg                                | 19 kg                              | 1 set   |

1 set = 2 pieces

## HORIZONTAL RAILS



- Material: 3mm zinc-plated sheet steel
- Rail width: 87,5 mm
- Application: for installing high weight components
- Mounting: mount on frame profiles
- Supply includes: mounting accessories

| Code      | For cabinet dimensions width/depth (mm) | Load capacity in horizontal position | Package |
|-----------|---|--------------------------------------|---------|
| ID-F-HH4  | 400                                     | 260 kg                               | 1 set   |
| ID-F-HH5  | 500                                     | 210 kg                               | 1 set   |
| ID-F-HH6  | 600                                     | 175 kg                               | 1 set   |
| ID-F-HH8  | 800                                     | 130 kg                               | 1 set   |
| ID-F-HH10 | 1000                                    | 100 kg                               | 1 set   |
| ID-F-HH12 | 1200                                    | 65 kg                                | 1 set   |

1 set = 2 pieces

## DOOR-MOUNTING RAILS

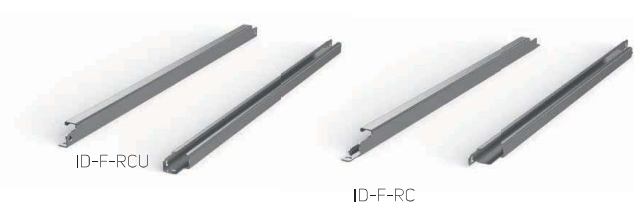


- Material: 2mm zinc-plated sheet steel
- Rail width: 20 mm
- Application: for creating more mounting planes on the inner sides of the doors
- Mounting: into the door frame
- Supply includes: mounting accessories

| Code      | For door / wing dimensions (mm) | Package |
|-----------|---------------------------------|---------|
| ID-F-VD4  | 400                             | 1 set   |
| ID-F-VD5  | 500                             | 1 set   |
| ID-F-VD6  | 600                             | 1 set   |
| ID-F-VD8  | 800                             | 1 set   |
| ID-F-VD10 | 1000                            | 1 set   |

1 set = 2 pieces

# PROFILE FOR CABLE FIXING

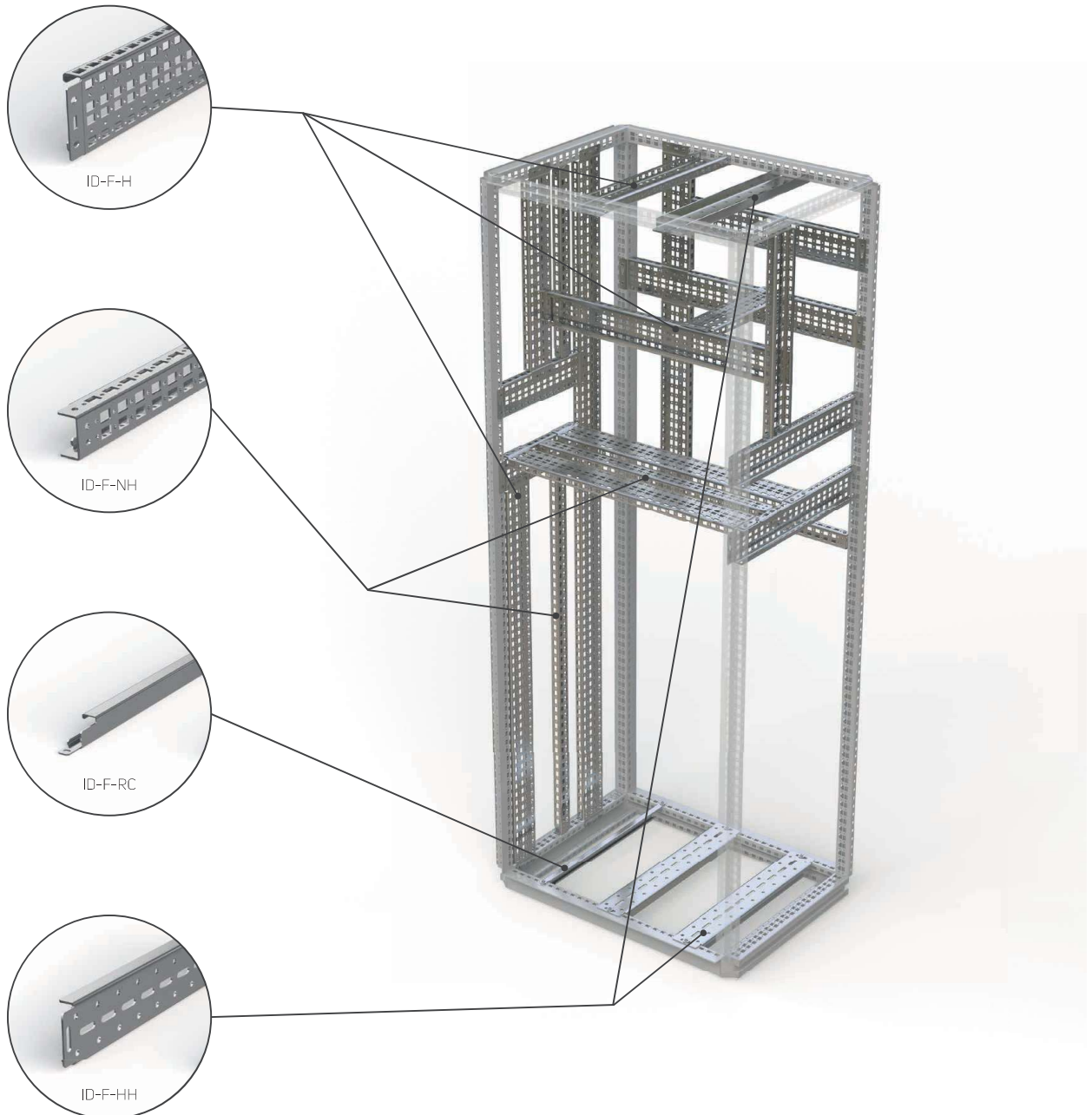


- Material: 2mm zinc-plated sheet steel
- Application: for cable glands
- Mounting: mount on the lower side profile of the frame or on the mounting plate (ID-F-RCUxx)
- Mounting: mount between the bottom side frame profiles (ID-F-RCxx)
- Supply includes: mounting accessories

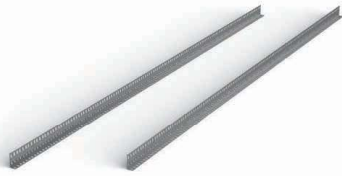
| Code      | Code       | For cabinet dimensions width/depth (mm) | Package |
|-----------|------------|---|---------|
| ID-F-RC4  | ID-F-RCU4  | 400                                     | 1 set   |
| ID-F-RC6  | ID-F-RCU6  | 600                                     | 1 set   |
| ID-F-RC8  | ID-F-RCU8  | 800                                     | 1 set   |
| ID-F-RC10 | ID-F-RCU10 | 1000                                    | 1 set   |
| ID-F-RC12 | ID-F-RCU12 | 1200                                    | 1 set   |

1 set = 2 pieces

## POSSIBLE TO INSTALL HORIZONTAL AND VERTICAL RAILS



## 19" FIXED EXTRUSIONS

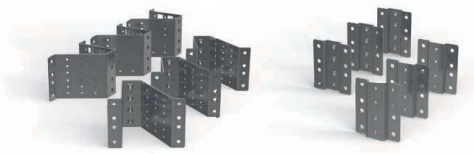


- Material: 2mm zinc-plated sheet steel
- Application: to make 19" planes FSE in the cabinets
- Mounting: onto the ID-F-UBxx + ID-F-Hxx brackets
- Supply includes: 19" vertical extrusions and mounting accessories

| Code      | For cabinet dimensions HxW v mm | Package |
|-----------|---------------------------------|---------|
| ID-F-V186 | 1800x600 (36U)                  | 1 set   |
| ID-F-V206 | 2000x600 (42U)                  | 1 set   |
| ID-F-V226 | 2200x600 (46U)                  | 1 set   |
| ID-F-V188 | 1800x800 (36U)                  | 1 set   |
| ID-F-V208 | 2000x800 (42U)                  | 1 set   |
| ID-F-V228 | 2200x800 (46U)                  | 1 set   |

It's necessary to order 19" brackets ID-F-UBxx

## 19" BRACKETS



ID-F-UB08

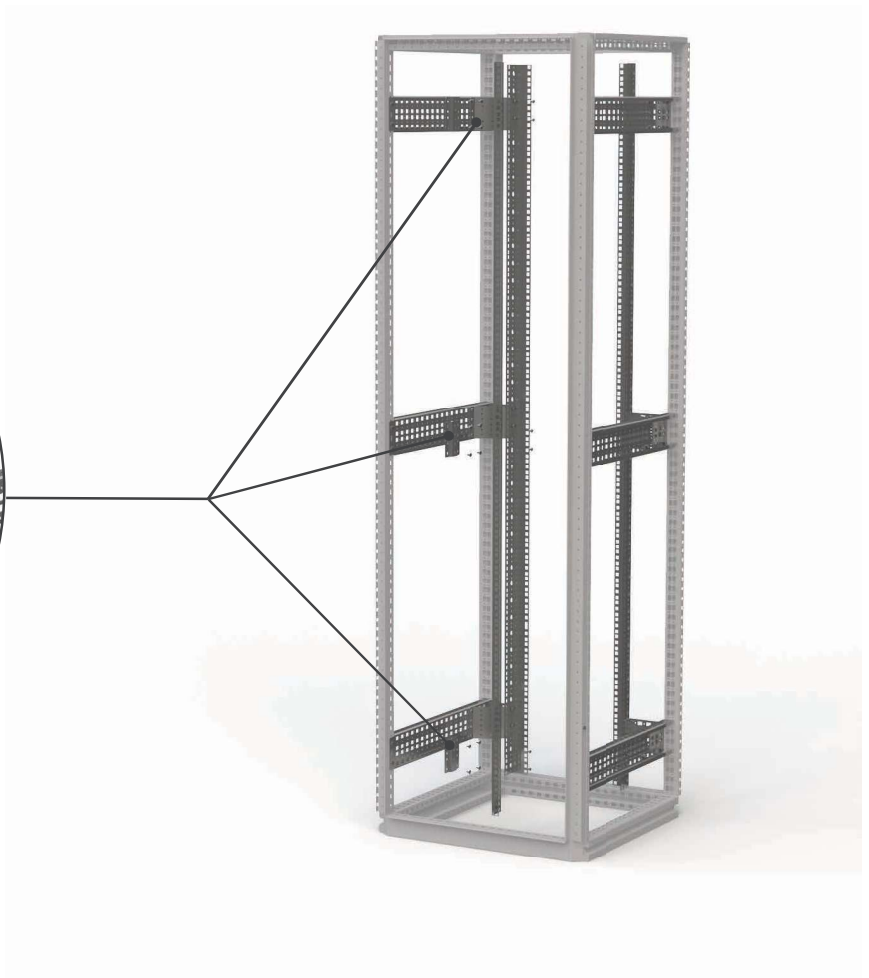
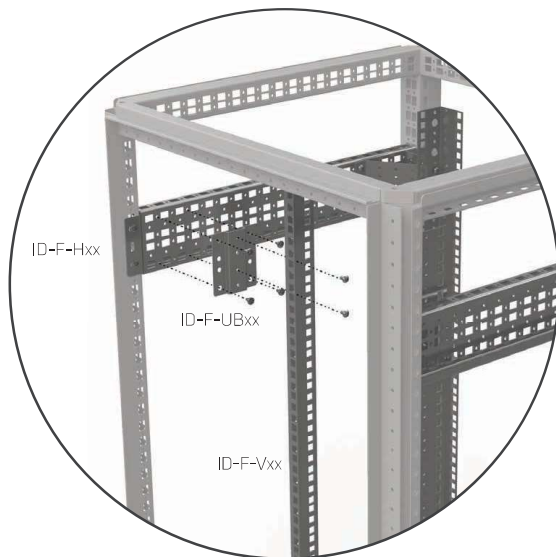
ID-F-UB06

- Material: 1,5mm (ID-F-UB06); 2mm (ID-F-UB08) zinc-plated sheet steel
- Application: to make 19" planes FSE cabinets W 600 a 800 mm
- Mounting: onto system extrusions ID-F-Hxx
- Supply includes: brackets for 19" vertical extrusions and mounting accessories

| Code      | For cabinet dimensions W (mm) | Package |
|-----------|-------------------------------|---------|
| ID-F-UB06 | 600                           | 1 set   |
| ID-F-UB08 | 800                           | 1 set   |

1 set = 6 pieces

## MOUNTING 19" EXTRUSION



## DOOR STOP



- Application: for inTEG FSE enclosures
- Supply includes: door stop and mounting accessories

| Code    | Package |
|---------|---------|
| ID-F-DS | 1 pc    |

## DOOR SWITCH



- Brackets material: 2mm zinc-plated sheet steel
- Door switch: IP65, plastic, 1NO + 1NC, PG13,5, -25 °C to +70 °C
- Supply includes: door switch and mounting accessories

| Code    | Package |
|---------|---------|
| ID-F-DC | 1 pc    |

## POCKETS FOR DOCUMENTS



- Material: ABS
- Color: RAL 7035
- Dimensions: 234×241×31 mm (H×W×D)
- Mounting: with a self-adhesive tape
- Supply includes: pocket for documents and self-adhesive tape

| Code     | Package |
|----------|---------|
| ID-PO-A4 | 1 pc    |

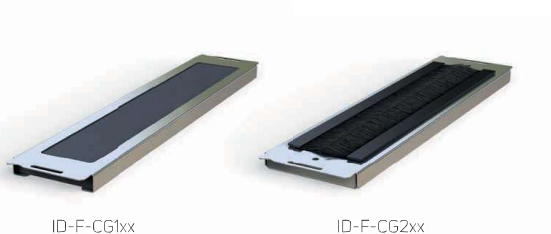


- Material: 1mm sheet steel
- Color: RAL 7035
- Mounting: onto the door frame
- Supply includes: pocket for documents and mounting accessories

| Code         | For door / wing dimensions (mm) | Package |
|--------------|---------------------------------|---------|
| ID-F-MP04    | 400                             | 1 set   |
| ID-F-MP06    | 600                             | 1 set   |
| ID-F-MP08    | 800                             | 1 set   |
| ID-F-MP10    | 1000                            | 1 set   |
| ID-F-MP102 * | 1000 2D                         | 1 set   |
| ID-F-MP06 *  | 1200                            | 1 set   |

\* pocket for double-winged cabinet, width suitable for mounting onto the right wing

## CABLE GLAND PLATE WITH GASKET



- Material: 1mm zinc-plated sheet steel
- Application: for cable introduction
- Version: with PU sealing (ID-F-CG1xx); with two rows of brushes (ID-F-CG2xx)
- Mounting: between the frame profiles to replace the cable gland plate
- Supply includes: mounting accessories

| Code       | Code       | For cabinet dimensions W (mm) | Package |
|------------|------------|-------------------------------|---------|
| ID-F-CG104 | ID-F-CG204 | 400                           | 1 set   |
| ID-F-CG106 | ID-F-CG206 | 600                           | 1 set   |
| ID-F-CG108 | ID-F-CG208 | 800                           | 1 set   |
| ID-F-CG110 | ID-F-CG210 | 1000                          | 1 set   |
| ID-F-CG112 | ID-F-CG212 | 1200                          | 1 set   |

## SEALING SET IP55



- Material: PVC
- Application: plugs and sealing tape for IP55 protection
- Supply includes:  
whole set for inTEG FSE cabinet

| Code       | Package |
|------------|---------|
| ID-F-KIT55 | 1 pc    |

## UTILITY LECTERN



- Material: 1,5mm sheet steel
- Color: RAL 7035
- Mounting: mount onto the door frame
- Dimensions: depth 356 mm, width - suitable for the specific cabinet dimensions,  
for cabinets with a width of 1200 mm and double-winged cabinets 1000 mm for one wing
- Supply includes: mounting accessories

| Code          | For cabinet dimensions W (mm) | Package |
|---------------|-------------------------------|---------|
| ID-F-CDD4     | 400                           | 1 set   |
| ID-F-CDD6     | 600                           | 1 set   |
| ID-F-CDD8     | 800                           | 1 set   |
| ID-F-CDD10    | 1000                          | 1 set   |
| ID-F-CDD102 * | 1000                          | 1 set   |
| ID-F-CDD6 *   | 1200                          | 1 set   |

\* storage shelf for double-winged cabinet, width makes it suitable for mounting on the right wing

## SPARE MOUNTING PLATE



- Material: 3mm zinc-plated sheet steel
- Supply includes: mounting plate with marked raster, mounting accessories and brackets

| Code        | For cabinet dimensions H x W (mm) |
|-------------|-----------------------------------|
| ID-F-SP1804 | 1800x400                          |
| ID-F-SP1806 | 1800x600                          |
| ID-F-SP1808 | 1800x800                          |
| ID-F-SP1810 | 1800x1000                         |
| ID-F-SP1812 | 1800x1200                         |
| ID-F-SP2004 | 2000x400                          |
| ID-F-SP2006 | 2000x600                          |
| ID-F-SP2008 | 2000x800                          |
| ID-F-SP2010 | 2000x1000                         |
| ID-F-SP2012 | 2000x1200                         |
| ID-F-SP2204 | 2200x400                          |
| ID-F-SP2206 | 2200x600                          |
| ID-F-SP2208 | 2200x800                          |
| ID-F-SP2210 | 2200x1000                         |
| ID-F-SP2212 | 2200x1200                         |