

# Apacer

The Most **Reliable**  
Storage For Industries

**ST170-CFast**



## ST170-CFast

### Overview

Apacer ST170-CFast is the latest enhancement of form factor that delivers various technological 3D NAND for higher capacity up to 480 GB and provides power efficiency than 2D NAND. This new flash memory card comes with SATA 6.0 Gbps interface for higher and consists of SATA-based 7-pin signal segment and power and control purposes. Designed without DRAM internal controlling unit, ST170-CFast ensures data preventing data loss during a sudden power outage.



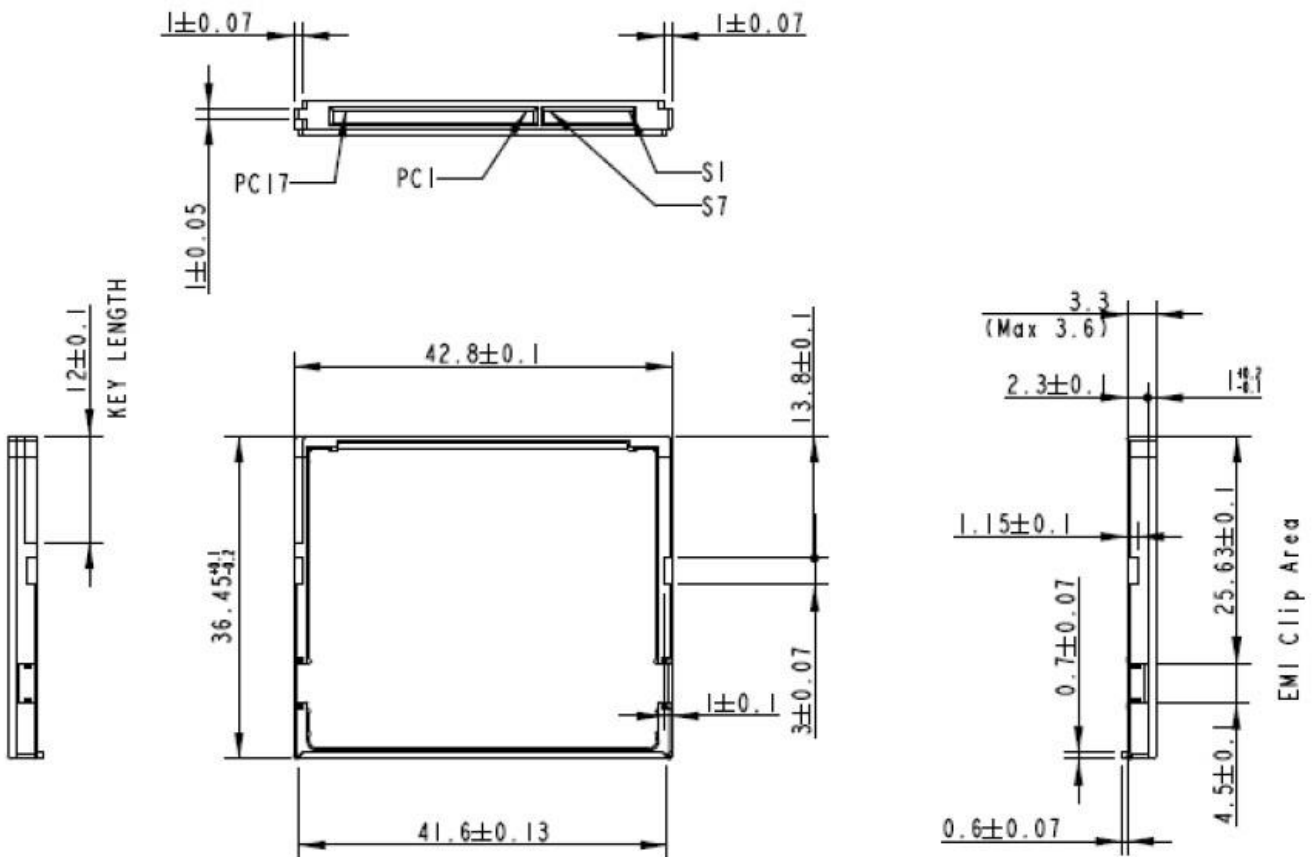
### Feature

- Support LDPC ECC
- Global Wear Leveling
- Flash bad-block management
- S.M.A.R.T. SSD Widget
- Power Failure Management
- End-to-End Data Protection
- TRIM Support

## Specifications

Model	ST170-CFast
Interface	SATA 3.0 (6Gb/s)
Connector	(7+15) pin male
Form Factor	CFast
NAND Flash Type	3D TLC
Capacity	30GB~480GB
External DRAM	No
Sustained Read Performance (MB/sec)	Up to 560
Sustained Write Performance (MB/sec)	Up to 495
ECC Engine	Low-Density Parity-Check (LDPC) Code
IOPS (4K Random Write)	84K
Standard Operating Temperature ( °C)	0 ~ + 70
Storage Temperature ( °C)	-40 ~ + 100
Housing	YES
H/W Write Protect	NO
Screw Hole	NO
Thermal Sensor	YES
Shock	Operation: 50G, 11ms Non-operation: 1500G,
Vibration	Operation: 7.69 Grms, 20~2000 Hz/random with MIL-STD-810G) Non-operation: 4.02 Grms, 15 ~ 2000 Hz/sine with MIL-STD-810G)
Operating Voltage	3.3V ± 5% (3.135-3.465V)
Power Consumption	Active mode: 355 mA / Idle mode: 90 mA
Dimension (L x W x H)	36.4 mm x 42.8 mm x 3.6mm
MTBF (hours)	>1,000,000

## Mechanical Specification



Unit:  
mm

**For more information,  
contact your Apacer representative**

Global Presence

Taiwan  
(Headquarters)  
Apacer Technology  
Inc. Tel: +886-2-  
2267-8000  
Fax: +886-2-2267-  
2001  
Apacer Technology  
Corp. Tel: +81-3-  
5419-2668  
Fax: +81-3-5419-  
0018

Europe  
Apacer Technology  
B.V. Tel: +31-40-  
267-0000  
Fax: +31-40-290-  
0686  
Apacer Technologies Pvt.  
Ltd. Tel: +91-80-  
41529061~3  
Fax: +91-80-41700215

U.S.A.  
Apacer Memory America,  
Inc. Tel: +1-408-518-  
8699  
Fax: 1-510-249-9551

China  
Apacer  
Electronic(Shanghai)  
Co., Ltd.  
Tel: +86-21-6228-9939