

VD2F 17 bit Absolute Single Magnetic Encoder

Flange Size	Motor Model	Drive Model	Rated Torque (N.m)	Rated Speed (rpm)	Voltage
40	WD40M-01030S-A1F	VD2F-003SA1P	0.318	3000	220V
60	WD60M-02030S-A1F	VD2F-010SA1P	0.64	3000	220V
60	WD60M-02030S-A1F-L	VD2F-010SA1P	0.64	3000	220V
60	WD60M-04030S-A1F	VD2F-010SA1P	1.27	3000	220V
60	WD60M-04030S-A1F-L	VD2F-010SA1P	1.27	3000	220V
80	WD80M-07530S-A1F	VD2F-014SA1P	2.39	3000	220V
80	WD80M-07530S-A1F-L	VD2F-014SA1P	2.39	3000	220V
80	WD80M-10030S-A1F	VD2F-014SA1P	3.18	3000	220V
80	WD80M-10030S-A1G	VD2F-014SA1P	3.18	3000	220V
80	WE80M-07530S-A1F	VD2F-014SA1P	2.39	3000	220V
80	WE80M-11030S-A1F	VD2F-014SA1P	3.5	3000	220V
80	WE80M-10025S-A1F	VD2F-014SA1P	4	2500	220V
80	WE80M-12030S-A1F	VD2F-014SA1P	4	3000	220V
110	WE110M-12030S-A1F	VD2F-014SA1P	4	3000	220V
110	WE110M-15030S-A1F	VD2F-014SA1P	5	3000	220V
130	WE130M-10025S-A1F	VD2F-014SA1P	4	2500	220V
130	WE130M-13025S-A1F	VD2F-014SA1P	5	2500	220V
130	WE130M-15025S-A1F	VD2F-014SA1P	6	2500	220V

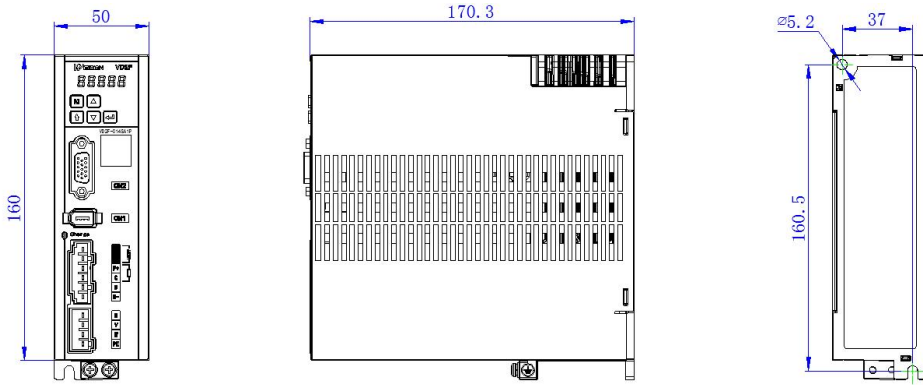


VD2F 17 bit Absolute Multi Magnetic Encoder

Flange Size	Motor Model	Drive Model	Rated Torque (N.m)	Rated Speed (rpm)	Voltage
40	WD40M-01030S-C1F	VD2F-003SA1P	0.318	3000	220V
60	WD60M-02030S-C1F-L	VD2F-010SA1P	0.64	3000	220V
60	WD60M-04030S-C1F	VD2F-010SA1P	1.27	3000	220V
60	WD60M-04030S-C1F-L	VD2F-010SA1P	1.27	3000	220V
80	WD80M-07530S-C1F	VD2F-014SA1P	2.39	3000	220V
80	WD80M-07530S-C1F-L	VD2F-014SA1P	2.39	3000	220V
80	WD80M-10030S-C1F	VD2F-014SA1P	3.18	3000	220V
80	WD80M-10030S-C1G	VD2F-014SA1P	3.18	3000	220V
80	WE80M-11030S-C1F	VD2F-014SA1P	3.5	3000	220V
80	WE80M-12030S-C1F	VD2F-014SA1P	4	3000	220V
110	WE110M-12030S-C1F	VD2F-014SA1P	4	3000	220V
110	WE110M-15030S-C1F	VD2F-014SA1P	5	3000	220V
130	WE130M-10025S-C1F	VD2F-014SA1P	4	2500	220V
130	WE130M-13025S-C1F	VD2F-014SA1P	5	2500	220V
130	WE130M-15025S-C1F	VD2F-014SA1P	6	2500	220V

VD2F 23 bit Absolute Multi Optical Encoder

Flange Size	Motor Model	Drive Model	Rated Torque (N.m)	Rated Speed (rpm)	Voltage
60	WD60M-02030S-D2F-L	VD2F-010SA1P	0.64	3000	220V
60	WD60M-04030S-D2F	VD2F-010SA1P	1.27	3000	220V
60	WD60M-04030S-D2F-L	VD2F-010SA1P	1.27	3000	220V
80	WD80M-07530S-D2F	VD2F-014SA1P	2.39	3000	220V
80	WD80M-07530S-D2F-L	VD2F-014SA1P	2.39	3000	220V
80	WD80M-10030S-D2F	VD2F-014SA1P	3.18	3000	220V
80	WD80M-10030S-D2G	VD2F-014SA1P	3.18	3000	220V
80	WE80M-11030S-D2F	VD2F-014SA1P	3.5	3000	220V
80	WE80M-12030S-D2F	VD2F-014SA1P	4	3000	220V
110	WE110M-12030S-D2F	VD2F-014SA1P	4	3000	220V
110	WE110M-15030S-D2F	VD2F-014SA1P	5	3000	220V
130	WE130M-10025S-D2F	VD2F-014SA1P	4	2500	220V
130	WE130M-13025S-D2F	VD2F-014SA1P	5	2500	220V
130	WE130M-15025S-D2F	VD2F-014SA1P	6	2500	220V



SPECIFICATION

Item		VD2F Series	
Basic Specifications	Voltage	220V	
	Control Method	IGBT PWM controlled sine wave current drive	
	Encoder	17 bit, 23 bit absolute encoder	
	Input Signal	4*DI	
	Output Signal	4*DO	
	Analog Signal Input	—	
	Pulse Signal Input	Open collector or differential input	
	Pulse Feedback Output	Z signal open collector output	
	Internal Instructions	Support 8 internal speed commands and internal multi-segment position commands	
	Communication / Debug	Support to communicate with modbus device or debug with SCTools	
	Braking Resistor	750W built-in braking resistor; 400W without built-in braking resistor; both support external braking resistor	
Function Setting	General Function	Self-tuning	SCTools supports self-tuning function, and identifies load inertia identification and rigidity level, and other parameters.
		Waveform Monitoring	View position, speed, torque and other curves on PC in real time
		Waveform Storage	The original waveform data could be stored for up to 10s
		Parameter Import / Export	Support batch parameter import and export; support PLC configure servo parameters automatically (supported by some models)
		Vibration Suppression	Suppress mechanical vibration by setting vibration suppression parameters
		Protective Function	Overvoltage, undervoltage, overcurrent, overspeed, overload, overheating, encoder failure, excessive position deviation, torque limit, speed limit, etc
		Brake	Support
		Universal Control DI	Servo enable (SON), fault and warning clear (A-CLR), forward drive prohibition (POT), reverse drive prohibition (NOT), command reverse (C-SIGN), emergency stop (E-STOP), Gain switching (GAIN-SEL), Multi-speed command selection (INSPD1、INSPD2、INSPD3) ; Internal multi-position command selection and enable (POS1, POS2, POS3, POS4, POSEN)
		Universal Control DO	Servo ready (RDY), fault signal (ALM), warning signal (WARN), rotation detection (TGON), zero speed signal (ZSP), torque limit (T-LIMIT), speed limit (V-LIMIT), servo on state output (SRV-ST), servo brake output (BRK-OFF) ; Z signal input
	Pulse Input	Pulse Frequency	Maximum 500khz
		Pulse Type	Pulse + Direction, Orthogonal coding
		Pulse Filtering	First-order low-pass filter or smooth filter
		Pulse Output	—
	Speed Mode	Command Input	Only internal speed command is supported (Maximum 8)
		Zero Clamp	Motor speed could be clamped to zero via the setting of zero clamp function
		Torque Limit	Support to set the torque limit
	Torque Mode	Command Input	Only internal torque command is supported
		Torque Reaching	Torque reaching threshold and DO can be set flexibly
		Speed Limit	The speed limit can be set flexibly

40 Series Motor Specification

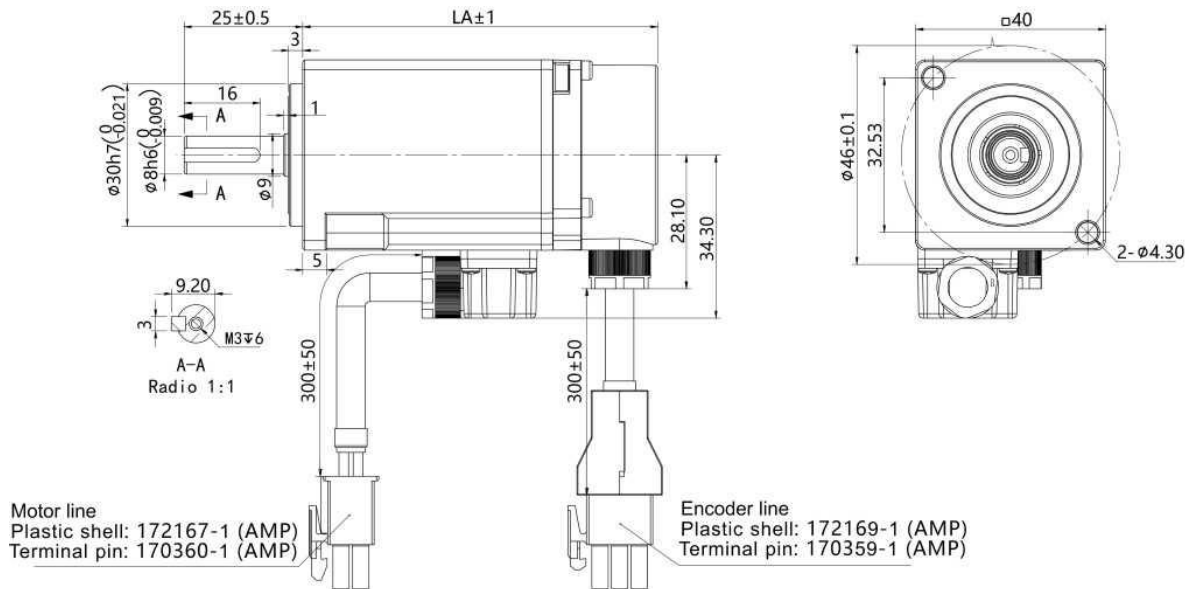
Motor model	WD40M-01030S-A1F	WD40M-01030S-C1F
Rated power (kW)		0.1
Rated torque (N·m)		0.318
Rated speed (r/min)		3000
Brake		Optional
LA without Brake (mm)		74.8
LA with Brake (mm)		108

Remark:

A1-17 bit single Magnetic encoder; C1-17 bit Multi Magnetic encode; D2- 23bit Multi Optical encoder

F-sealed; G-sealed & Brake

-L: Connector type



60 Series Motor Specification

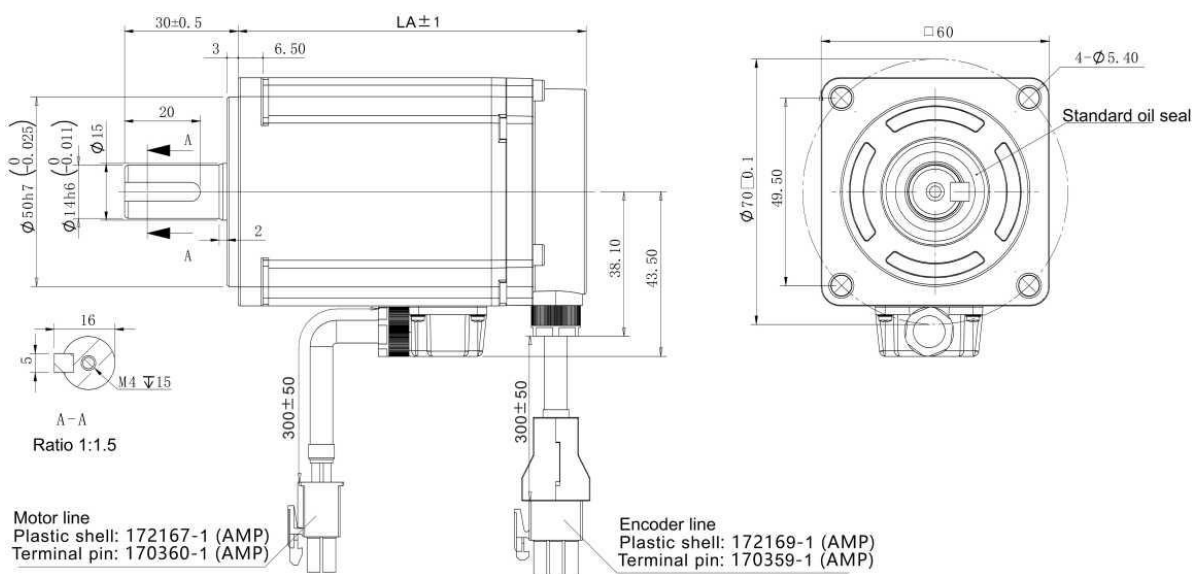
Motor model	WD60M-02030S [★] △	WD60M-04030S [★] △
Rated power (kW)	0.2	0.4
Rated torque (N·m)	0.64	1.27
Rated speed (r/min)	3000	3000
Brake	Optional	Optional
LA without Brake (mm)	75	92
LA with Brake (mm)	104.5	121.5

Remark:

★ : A1-17 bit single Magnetic encoder; C1-17 bit Multi Magnetic encode; D2- 23bit Multi Optical encoder

△ : F-sealed; G-sealed & Brake

-L: Connector type



80 Series Motor Specification

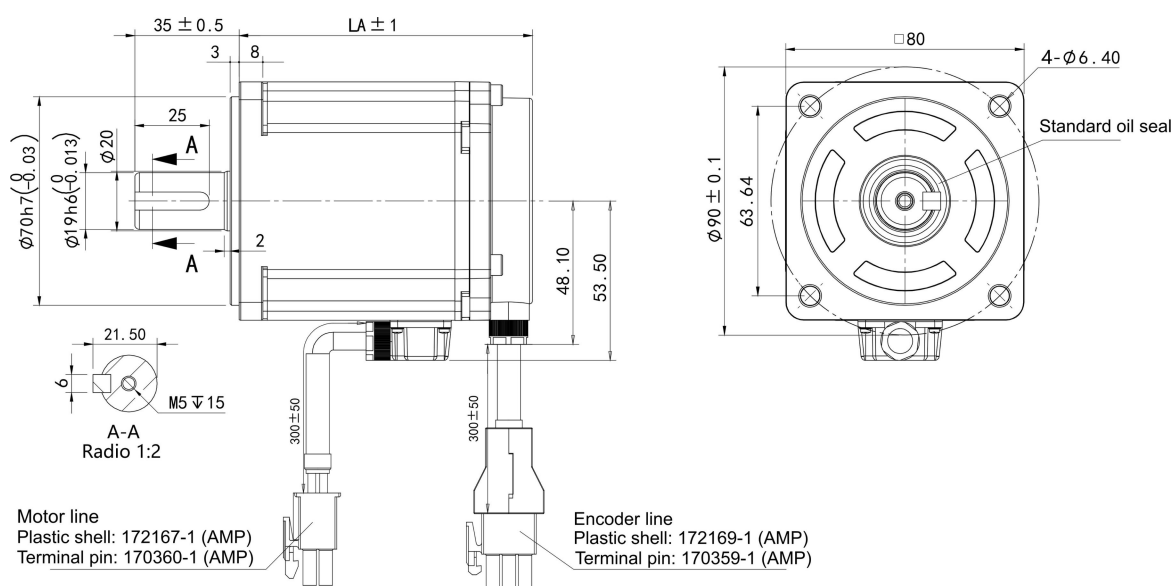
Motor model	WD80M-07530S★△	WD80M-10030S★△
Rated power (kW)	0.75	1
Rated torque (N·m)	2.39	3.18
Rated speed (r/min)	3000	3000
Brake	Optional	Optional
LA without Brake (mm)	98.5	98.5
LA with Brake (mm)	132.5	132.5

Remark:

★ : A1-17 bit single Magnetic encoder; C1-17 bit Multi Magnetic encode; D2- 23bit Multi Optical encoder

△ : F-sealed; G-sealed & Brake

-L: Connector type



80 Series Motor Specification

Motor model	WD80M-10025S ^{★△}	WD80M-11030S ^{★△}	WD80M-12030S ^{★△}
Rated power (kW)	1	1.1	1.2
Rated torque (N·m)	4	3.5	4
Rated speed (r/min)	2500	3000	3000
Brake	Optional	Optional	Optional
LA without Brake (mm)	191	179	191
LA with Brake (mm)	233	221	233

Remark:

★ : A1-17 bit single Magnetic encoder; C1-17 bit Multi Magnetic encode; D2- 23bit Multi Optical encoder

△ : F-sealed; G-sealed & Brake

-L: Conn

