

# Apacer

The Most **Reliable**  
Storage For Industries

SV250-M280



## SV250-M280

### Overview

Apacer's SV250-M280, utilizing 3D NAND for higher capacity up to 1920GB and providing more power efficiency than 2D NAND, is the next generation Solid State Drive (SSD) with compact and high-speed storage. Designed in SATA 6 Gb/s interface, SV250-M280 provides full compliance with the latest SATA Revision 3.2 interface specifications and delivers exceptional performance up to 560/470 MB/s and 52,000/68,000 in sequential and IOPS read/write, making it the leading add-in storage solution for future host computing systems.

Regarding reliability, SV250-M280 is built with a powerful SATA controller that supports on-the-module ECC as well as efficient wear leveling scheme and implemented with LDPC (Low Density Parity Check) ECC engine to extend SSD endurance and increase data reliability. Furthermore, SV250-M280 is equipped with a built-in thermal sensor to monitor the temperature of the SSD via S.M.A.R.T commands to prevent overheating. Operating under 6 Gb/s interface, SV250-M280 is provided with Apacer latest S.M.A.R.T. that is primarily oriented for the latest SATA interface SSD, for drive lifetime monitoring and analysis. For highly-intensive applications, End-to-End Data Protection ensures that data integrity can be assured at multiple points in the path to enable reliable delivery of data transfers.

Security-wise, Advanced Encryption Standard (AES) and Trusted Computing Group (TCG) Opal (optional) ensure data security and provide users with peace of mind knowing their data is safeguarded against unauthorized use at all times. SV250-M280 also adopts the latest page mapping file translation layer and comes with various implementations including power saving modes, wear leveling, flash block management, S.M.A.R.T., TRIM, Hyper Cache technology, over-provisioning, DataDefender™, DataRAID™ and SMART Read Refresh™. With exceptional performance, trustable reliability and enhanced data protection, SV250-M280 is definitely the ideal storage or cache solution for a variety of applications ranging from industrial, imaging, computing to enterprise markets.



## SV250-M280

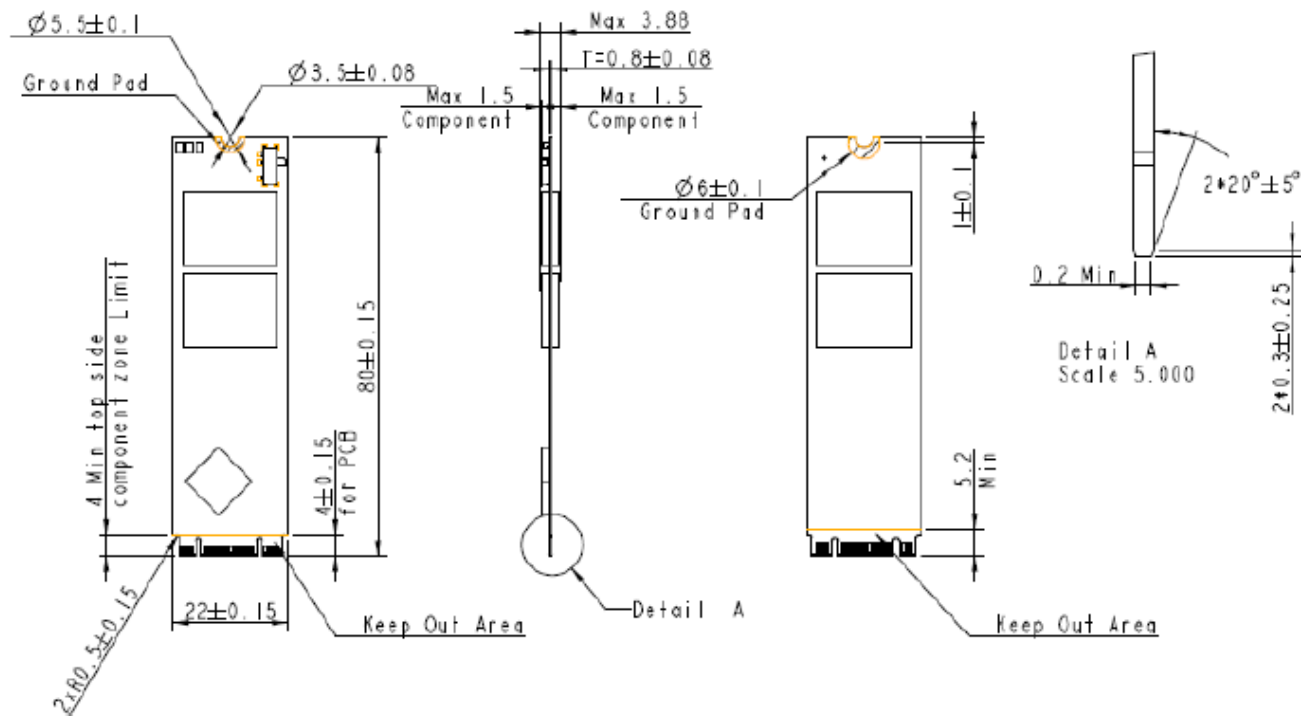
### Feature

- Low-Density Parity-Check (LDPC) Code
- Global Wear Leveling
- Flash bad-block management
- Flash Translation Layer: Page Mapping
- S.M.A.R.T.
- DataDefender™
- Device Sleep
- ATA Secure Erase
- TRIM Support
- Hyper Cache Technology
- Over-provisioning
- DataRAID™
- SAMRT Read Refresh™ technology

## Specifications

<b>Model</b>	SV250-M280
<b>Interface</b>	SATA 3.2 (6Gb/s)
<b>Connector</b>	M.2 B & M key
<b>Form Factor</b>	M.2 2280-D5-B-M
<b>NAND Flash Type</b>	3D TLC
<b>Capacity</b>	120GB~1920GB
<b>External DRAM</b>	No
<b>Sustained Read Performance (MB/sec)</b>	Up to 560
<b>Sustained Write Performance (MB/sec)</b>	Up to 470
<b>ECC Engine</b>	Low-Density Parity-Check (LDPC) Code
<b>IOPS (4K Random Write)</b>	68K
<b>Standard Operating Temperature ( °C )</b>	0 ~ + 70
<b>Extended Operating Temperature ( °C )</b>	-40 ~ + 85
<b>Storage Temperature ( °C )</b>	-55 ~ + 100
<b>Thermal Sensor</b>	Yes
<b>Shock</b>	Operation: 50G/11ms (compliant with MIL-STD-202G) Non-operation: 1500G/0.5ms (compliant with MIL-STD-883K)
<b>Vibration</b>	Operation: 7.69 Grms, 20~2000 Hz/random (compliant with MIL-STD-810G) Non-operation: 4.02 Grms, 15 ~ 2000 Hz/random (compliant with MIL-STD-810G)
<b>Operating Voltage</b>	3.3 V ± 5%
<b>Power Consumption</b>	Active mode: 370 mA / Idle mode: 65 mA
<b>Dimension (L x W x H )</b>	Single side: 80.00 x 22.00 x 2.38 mm Double side: 80.00 x 22.00 x 3.88 mm
<b>MTBF (hours)</b>	>3,000,000

## Mechanical Specification



Unit: mm

For more information,  
contact your Apacer representative

### Global Presence

Taiwan (Headquarters)  
Apacer Technology Inc.  
Tel: +886-2-2267-8000  
Fax: +886-2-2267-2261

Europe  
Apacer Technology B.V.  
Tel: +31-40-267-0000  
Fax: +31-40-290-0686

U.S.A.  
Apacer Memory America, Inc.  
Tel: +1-408-518-8699  
Fax: 1-510-249-9551

Shanghai  
Apacer Electronic(Shanghai)  
Co., Ltd.  
Tel: +86-21-6228-9939

Japan  
Apacer Technology Corp.  
Tel: +81-3-5419-2668  
Fax: +81-3-5419-0018

India  
Apacer Technologies Pvt. Ltd.  
Tel: +91-80-41529061~3  
Fax: +91-80-41700215