

### Features

- Rugged engineering plastics enclosure and fanless design
- High brightness LED backlight LCD
- Intel Atom Processor E3845
- 4G DDR3L memory on board
- Wide Range DC 6~36V Power Input
- Total 6 sides IP66
- Resistive touch screen, projected capacitive touch screen is for option
- Front function keyboard (programmable F1~F6) with power button

### Specifications

System	
CPU	Intel Atom Processor E3845(2M Cache, 1.91GHz)
Memory	Onboard 4GB DDR3L Memory
Function Keypad	7 keys (F1~F6 with Power Button) Default General Keyboard F1~F6 key, Programmable other define
Speaker	1 x 2W IP65 Speaker

IO Port	
Standard I/O	<b>IP66 I/O connector:</b> 1 x M12 for 2 x USB 2.0 1 x M12 for LAN 1 x M12 for RS-232/422/485, default RS-232 1 x DC power input (6~36V) by M12 connector 1 x SMA connector for option GPS antenna 1 x Power LED front touch panel (Green)

Storage Space	
Storage	1 x Micro SD on board 1 x mSATA MO-300 slot

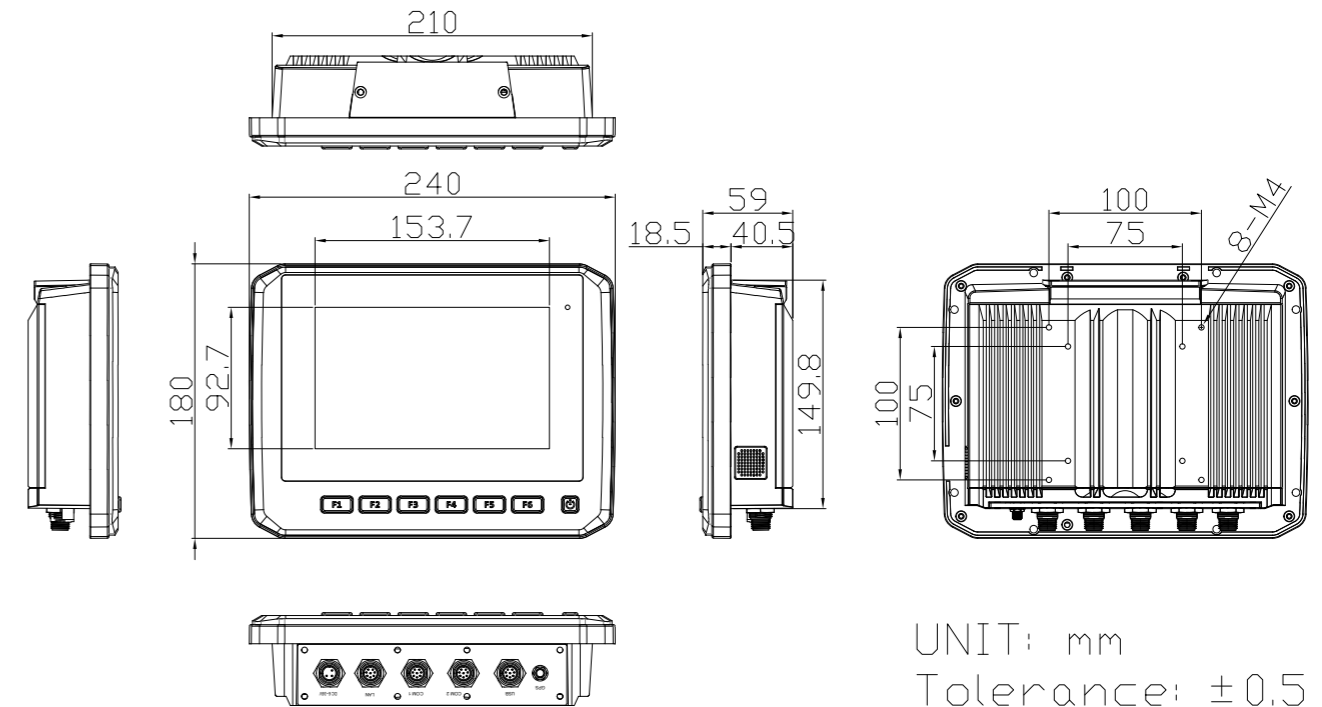
Expansion	
Expansion slot	1 x Mini-PCIe full size for option 3G/LTE/GPS 1 x Mini-PCIe half size slot for option WIFI/BT 1 x SIM slot on board

Display	
Display Type	7" TFT-LCD
Max. Resolution	800 x 480
Max. Color	262K
Luminance (cd/m <sup>2</sup> )	600 (option 1000 nits)
View Angle	140(H)/130(V)
Contrast	400:1
Backlight Lifetime	50,000 hrs

Touch Screen	
Type	Resistive Touch Window Type (Default) Projected Capacitive Touch Screen (Option)
Interface	USB
Light Transmission(%)	Resistive Touch : 80% Projected Capacitive : 90%

Power	
Power Input	6~36V DC (Default)
Optional Power	6~36V DC + Ignition / VCC Power
Power Consumption	MAX: 15W

### Dimensions



UNIT: mm  
Tolerance: ±0.5

Mechanical	
Construction	Aluminum Front Bezel and Plastic Back Cover with Aluminum Heatsink.
Mounting	VESA Mount 75 x 75/ 100 x 100/ Adjustable Stand (option)
IP Rating	Total IP66
Dimensions	240 x 180 x 59 mm
Net Weight	2.1 kg

Environmental	
Operating Temperature	0~50°C WT1: -20°C~60°C for option
Storage Temperature	-30~80°C
Humidity	10 to 90% @ 40°C, non-condensing
Certificate	CE/FCC Class A/ MIL810F/ IEC60068-2-27 for vibration/ Shock

Operating System Support	
Windows 7 Professional for Embedded Systems	
Windows 7 Ultimate for Embedded Systems	
Windows Embedded 8.1 Pro	
Windows Embedded 8.1 Industry Pro	
Windows 10 IoT 2016	

Ordering Information	
APC-3072T-01	7" WVGA total IP66 design aluminum panel PC, Intel Atom Processor E3845, DDR3L 4G on board, 8G SLC mSATA, with resistive touch window, 6~36V DC power input with adapter.