

Datasheet

USB DRIVE

3ME WP series

- High performance with USB 3.0 interface
- Low power consumption
- Wear-Leveling supported
- ECC engine coverage up to 60-bit/1024 Bytes
- Metal housing for robust usage
- 30 μ golden finger for highly reliable data transfer quality
- Hardware Write Protect



Introduction

The Innodisk USB Drive products provide high capacity USB flash memory storage that electrically complies with High-speed USB 3.0 interface & backward compatible with USB 2.0. The device features attractive small form factor and the connectivity over USB 3.0 and the NAND flash architecture provide a faster data transmission. USB Drive 3ME WP product series support write protect function by removing write protect jumper.

USB DRIVE

3ME WP series

Contact us for more information about the USB DRIVE 3ME.

Innodisk is a service-driven provider of industrial embedded flash storage products and technologies, with a focus on the cloud computing, industrial/embedded, and aerospace and defense industries.

Headquarters (Taiwan)

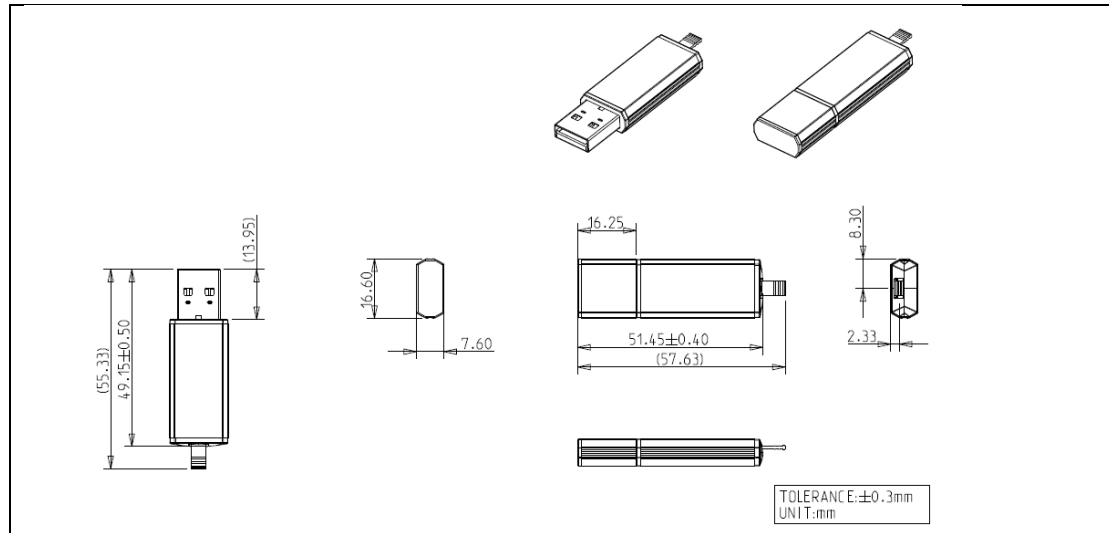
5F., No. 237, Sec. 1, Datong Rd.,
Xizhi Dist., New Taipei City 221,
Taiwan
Tel: +886-2-7703-3000
Email: sales@innodisk.com

Branch Offices:

USA
usasales@innodisk.com
+1-510-770-9421
Europe
eusales@innodisk.com
+31-40-3045-400
Japan
jpsales@innodisk.com
+81-3-6667-0161
China
sales_cn@innodisk.com
+86-755-21673689
www.innodisk.com

© 2021 Innodisk Corporation.
All right reserved. Specifications
are subject to change without
prior notice.

Diagram



Specifications

Interface	USB 3.0
Flash Type	MLC
P/E cycle	3,000
Capacity	4GB~32GB
Max. Channels	1
Sequential R/W (MB/sec, max.)	100 / 50
Max. Power Consumption	0.70 W (5V x 140 mA)
Thermal Sensor	-
External DRAM buffer	-
H/W Write Protect	√
ATA Security	-
S.M.A.R.T.	√
Dimension (WxLxH)	16.60 X 57.63 X 7.60 mm(with W/P jumper)
Environment	Vibration: 20G @7~2000Hz Shock: 1500G @ 0.5ms Storage Temperature: -40°C ~ +85°C MTBF: 3 million hours

20211008

Ordering Information

Operation Temp.	8GB	16GB	32GB	64GB
Standard Grade (0°C ~ +70°C)	DEUA1-08GI61BC3SC	DEUA1-16GI61BC3SC	DEUA1-32GI61BC3SC	DEUA1-64GI61BC3SC
Industrial Grade (-40°C ~ +85°C)	DEUA1-08GI61BW3SC	DEUA1-16GI61BW3SC	DEUA1-32GI61BW3SC	DEUA1-63GI61BW3SC

innodisk

www.innodisk.com