

250W, 9-53V Input Non-isolated DC-DC Converters



Industrial



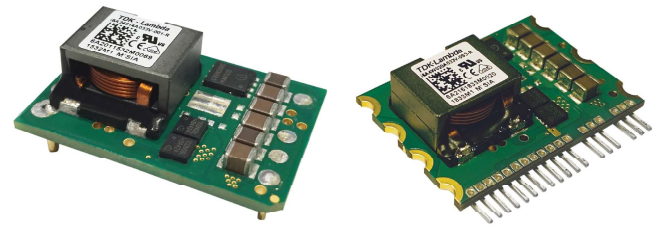
Test



COMM



Broadcast



The i6A 4W series of non-isolated step-down converters are ideal for creating additional high current output voltages from a single output 12V, 24V or 48V AC-DC power supply. The highly efficient i6A 4W series accepts a very wide DC input and has a wide output adjustment range, with a choice of 1/16th brick footprint or SIP package.

Features	Benefits
• Up to 250W in a 1/16th brick or SIP package	• Very High Power Density
• Very high Efficiency up to 97%	• Easier Thermal Management
• Wide Output Adjustment 3.3 to 15V & 3.3 to 40V	• One Part For Multiple Applications
• Minimal External Components Needed	• Less Board Area Required
• Low Airflow With Minimal Derating Requirements	• Easier To Cool In End System

Model Selector							
Model	Output Voltage (V) ⁽¹⁾	Max Current (A)	Max Power (W)	Positive Logic On/Off	Negative Logic On/Off	Full Feature	Package
i6A4W010A033V-001-R	3.3 to 40	10	250	-	Yes	-	DIP
i6A4W010A033V-0S1-R	3.3 to 40	10	250	-	Yes	-	SIP
i6A4W020A033V-000-R	3.3 to 15	20	250	Yes	-	-	DIP
i6A4W020A033V-001-R	3.3 to 15	20	250	-	Yes	-	DIP
i6A4W020A033V-0S1-R	3.3 to 15	20	250	-	Yes	-	SIP
i6A4W020A033V-002-R	3.3 to 15	20	250	Yes	-	Yes	DIP
i6A4W020A033V-0S3-R	3.3 to 15	20	250	-	Yes	Yes	SIP
i6A4W020A033V-005-R	3.3 to 15	20	250	-	Yes	Yes ⁽²⁾	DIP

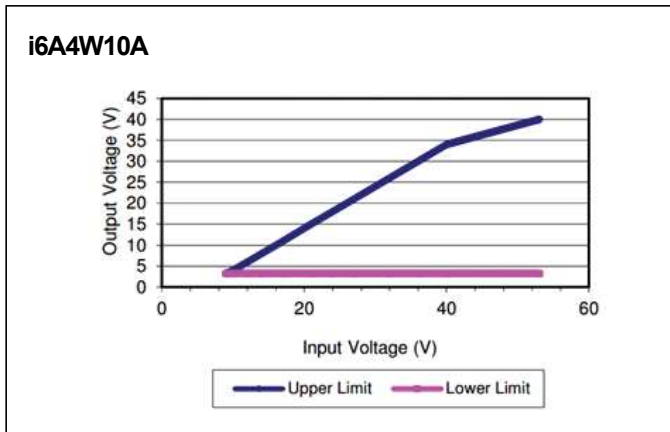
Preferred model

Specification			
Model	i6A4W010A033V		i6A4W020A033V
Input			
Input Voltage range	Vdc	9 to 53V (Turn on at 10V or greater)	
Input Current	A	20A maximum	
Efficiency	-	94 - 97.5	90 - 97.0
Safety Agency Certifications	-	IEC/UL/CSA/EN 60950-1, CE Mark (LVD and RoHS)	
Output			
Output Voltage Tolerance	%	±4	
Switching Frequency	kHz	400	
Line Regulation	%	0.3	0.4
Load Regulation	%	0.9	1.2
External Load Capacitance	uF	0 - 1500	
Output Ripple & Noise (pk-pk)	mV	50	20
Overcurrent Protection Threshold	A	15	27
Overvoltage Protection	V	None	
Remote On / Off		See options table	
Remote Sense		(+ Sense, compensating up to 5% of output voltage	
Power Good		Optional (Full Feature Version)	
Sync & Sequencing	-	Optional (Full Feature Version)	
Parallel Operation	-	Not possible	
Series operation	-	Not possible	

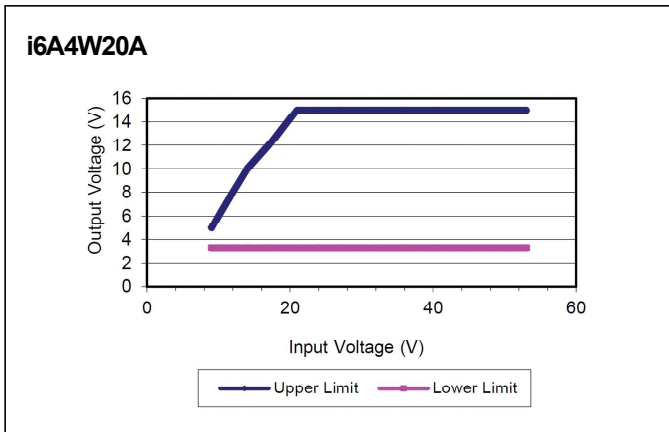
Specification		
Model	i6A4W010A033V	i6A4W020A033V
Environmental		
Operating Temperature	°C	-40 to 125 (see thermal data on website)
Storage Temperature	°C	-55 to 125
Cooling	-	Convection or forced air
Other		
Weight	g	15
Size (LxWxH)	mm	DIP Version: 33 x 22.9 x 12.1, SIP Version: 33 x 11.4 x 24.8
Size (LxWxH)	In	DIP Version: 1.30 x 0.9 x 0.74, SIP Version: 1.30 x 0.45 x 0.98
Warranty	yrs	3

Notes
 See website for detailed specifications, test methods and installation manual
 (1) Output voltage cannot exceed input voltage (see graphs below).
 (2) Full Feature module but without the SEQ pin installed.

Output vs Input Voltage Operating Range

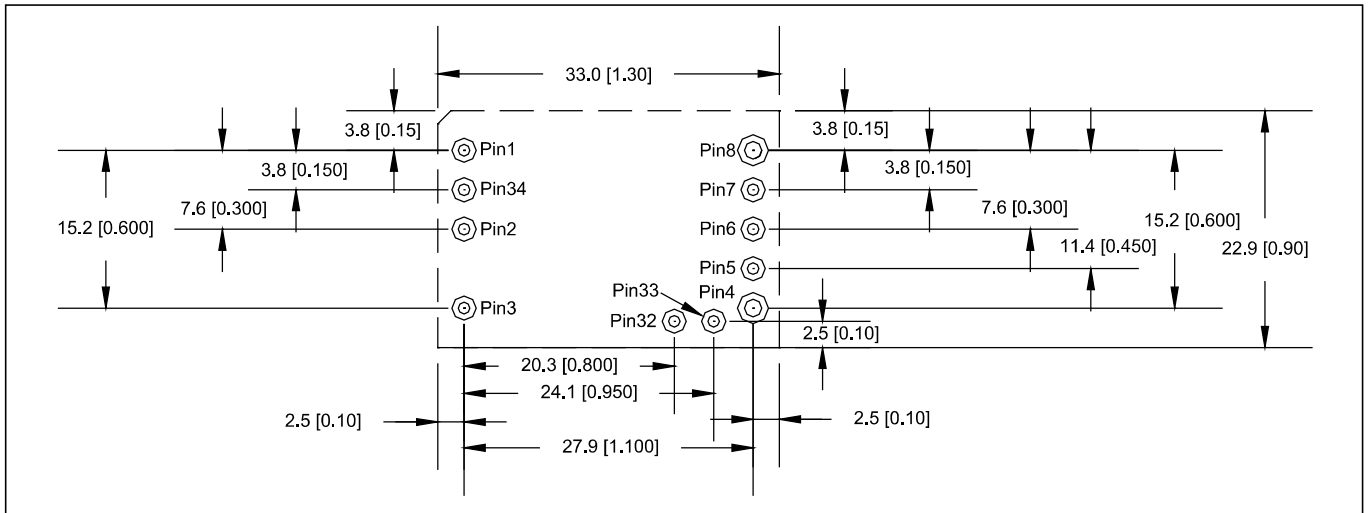


Output vs Input Voltage Operating Range



Mechanical Specification (DIP Style)

Recommended Hole Pattern (top view)



Pinout

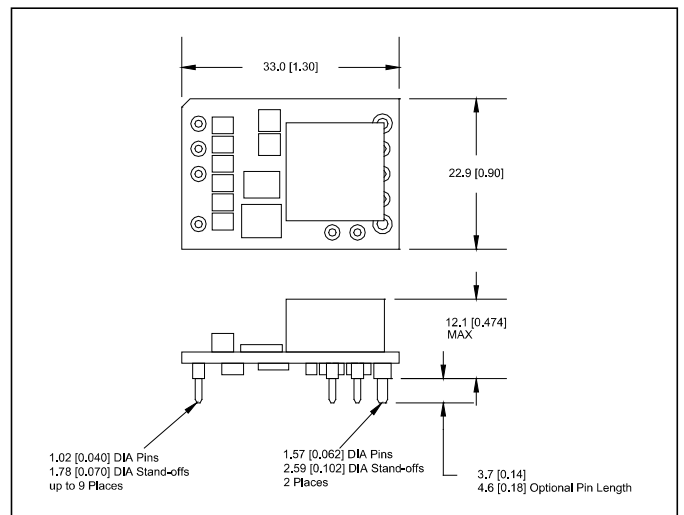
PIN	Function	PIN	Function
1	VIN (+)	7	SENSE (+)
2	ON / OFF	8	VOUT (+)
3	VIN (-)	32	Sync (Option)
4	VOUT (-)	33	MS (Option)
5	PWR GOOD (Option)	34	SEQ (Option)
6	TRIM		

Evaluation Boards (DIP Version)

Evaluation kit part #	Contents
i6A20A-001-EVK-S1PX	Populated with one piece of i6A4W020A033V-001-R
i6A20A-001-EVK-S1CC	Populated with one piece of i6A4W020A033V-001-R to set for constant current operation
i6A10A-001-EVK-S1PX	Populated with one piece i6A4W010A033V-001-R.
i6A10A-001-EVK-S1CC	Populated with one piece i6A4W010A033V-001-R set for constant current operation.

User manual available at I6A4W technical files in our website, contact technical support for more details on constant current version.

Mechanical Specification





TDK-Lambda France SAS

Tel: +33 1 60 12 71 65
france@fr.tdk-lambda.com
www.fr.tdk-lambda.com



Italy Sales Office

Tel: +39 02 61 29 38 63
info.italia@it.tdk-lambda.com
www.it.tdk-lambda.com



Netherlands

info@nl.tdk-lambda.com
www.nl.tdk-lambda.com



TDK-Lambda Germany GmbH

Tel: +49 7841 666 0
info.germany@de.tdk-lambda.com
www.de.tdk-lambda.com



Austria Sales Office

Tel: +43 2256 655 84
info@at.tdk-lambda.com
www.de.tdk-lambda.com



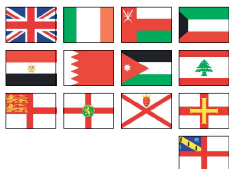
Switzerland Sales Office

Tel: +41 44 850 53 53
info@ch.tdk-lambda.com
www.de.tdk-lambda.com



Nordic Sales Office

Tel: +45 8853 8086
info@dk.tdk-lambda.com



TDK-Lambda UK Ltd.

Tel: +44 (0) 12 71 85 66 66
powersolutions@uk.tdk-lambda.com
www.uk.tdk-lambda.com



TDK-Lambda Ltd.

Tel: +9 723 902 4333
info@tdk-lambda.co.il
www.tdk-lambda.co.il



C.I.S.

Commercial Support:

Tel: +7 (495) 665 2627

Technical Support:

Tel: +7 (812) 658 0463

info@tdk-lambda.ru

www.tdk-lambda.ru



TDK-Lambda Americas

Tel: +1 800-LAMBDA-4 or 1-800-526-2324 (Low Power)
+1-800-LAMBDA-5 or 1-800-526-2325 (High Power)
lambda.techsupport@us.tdk-lambda.com
www.us.tdk-lambda.com/lp
www.us.tdk-lambda.com/hp



TDK-Lambda Canada

Tel: (514) 620 7042
lambda.techsupport@us.tdk-lambda.com
www.us.tdk-lambda.com



TDK-Lambda Mexico

Tel: +1 800-LAMBDA-4 or 1-800-526-2324 (Low Power)
+1-800-LAMBDA-5 or 1-800-526-2325 (High Power)
lambda.techsupport@us.tdk-lambda.com
https://us.tdk-lambda.com/lp/spa/



TDK-Lambda Brazil

Tel: +55 11 3289-9599
lambda.techsupport@us.tdk-lambda.com
https://us.tdk-lambda.com/lp/por/