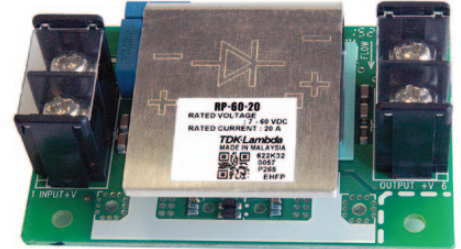




20A Reverse Current Protection Module

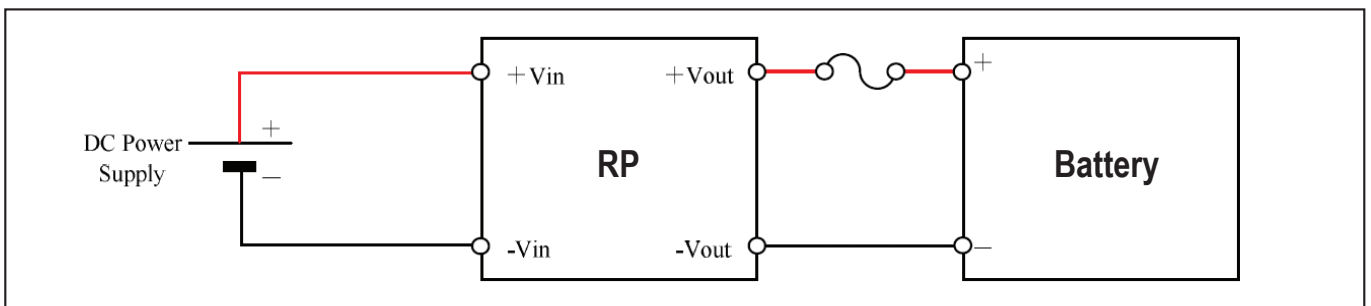
Features	Benefits
• Provides Reverse Current Protection	• Improves System Integrity
• Low Voltage Drop ORing FET	• Lower Losses than Diode Units
• Compact Size	• Easy to Integrate
• Open Frame or L Bracket Construction	• More Mechanical Options for Designer



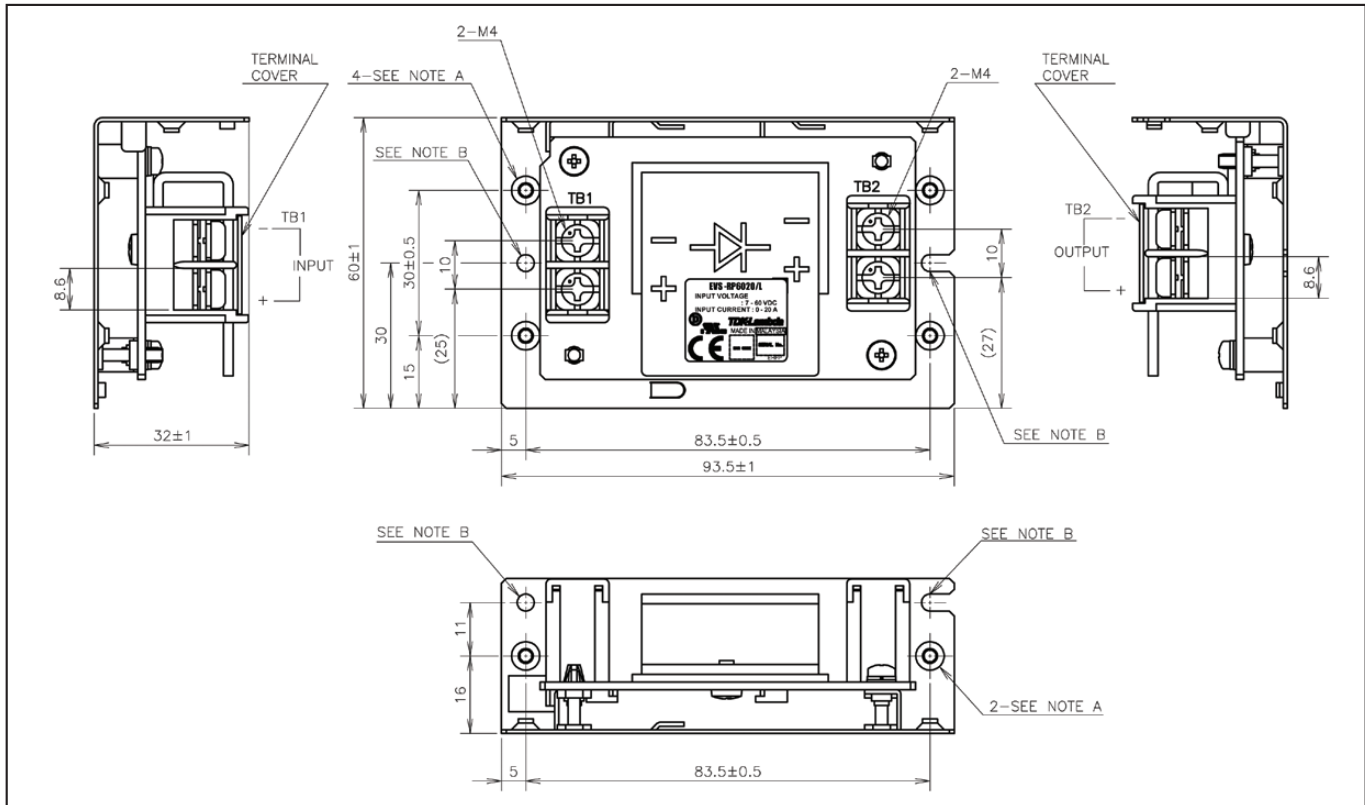
Specification		
Model	RP-60-20	
Input Voltage Range	VDC	7 - 60VDC
Maximum Current	A	20A
Voltage Drop	VDC	0.2V
Maximum Reverse Current	μA	50μA
Parallel Operation	-	Maximum 2 units, no current sharing function
Cooling	-	Convection or Forced Air
Operating Temperature	°C	Convection Cooling: -20°C to +74°C, derate linearly to 50% load from 50°C to 74°C Forced Air (≥1.4m/s) : -20°C to +74°C, derate linearly to 60% load from 60°C to 74°C
Storage Temperature	°C	-40°C to +85°C
Humidity (non condensing)	%RH	Operating: 20 - 90%RH, Storage: 10 - 90%RH
Withstand Voltage	VAC	Input or output to ground: 500VAC for 1 minute
Isolation Resistance	MΩ	Input or output to ground >100MΩ at 25°C, 70%RH and 500VDC
Vibration (non operating)	-	10-55Hz (sweep for 1 min), 19.6m/s ² constant X, Y, Z each for 1 hour
Shock	-	196m/s ²
Safety Agency Certifications	-	UL60950-1, CSA60950-1, EN60950-1, CE mark for LVD and RoHS2
Size	mm	Open Frame: 50 x 26 x 77.5 L Bracket: 60 x 32 x 93.5
Weight	g	Open frame: 60g L Bracket: 100g
Warranty	yrs	5

Note: See Installation Manual for full details, test methods of parameters and application notes

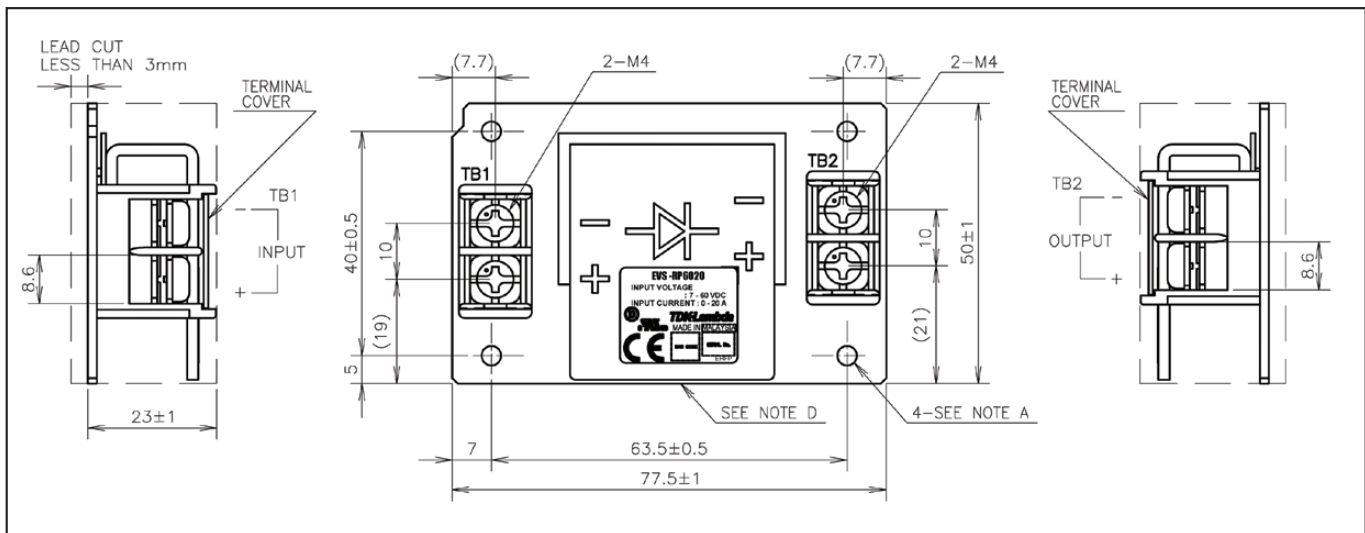
Application Sample



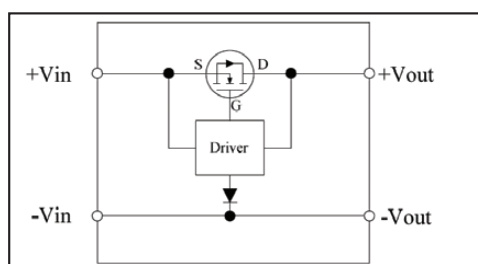
Outline Drawing RP-60-20/L (L bracket)



Outline Drawing RP-60-20 (Open frame)



Block Diagram



Options

Suffix	Description
-	Open Frame Construction
/L	L Bracket Construction



TDK-Lambda France SAS

3 Avenue du Canada
Parc Technopolis
Bâtiment Sigma
91940 les Ulis
France
Tel: +33 1 60 12 71 65
Fax: +33 1 60 12 71 66
france@fr.tdk-lambda.com
www.fr.tdk-lambda.com



Italy Sales Office

Via dei Lavoratori 128/130
20092 Cinisello Balsamo (MI)
Italy
Tel: +39 02 61 29 38 63
Fax: +39 02 61 29 09 00
info.italia@it.tdk-lambda.com
www.it.tdk-lambda.com



Netherlands

info@nl.tdk-lambda.com
www.nl.tdk-lambda.com



TDK-Lambda Germany GmbH

Karl-Bold-Strasse 40
77855 Achem
Germany
Tel: +49 7841 666 0
Fax: +49 7841 5000
info.germany@de.tdk-lambda.com
www.de.tdk-lambda.com



Austria Sales Office

Aredstrasse 22
2544 Leobersdorf
Austria
Tel: +43 2256 655 84
Fax: +43 2256 645 12
info@at.tdk-lambda.com
www.de.tdk-lambda.com



Switzerland Sales Office

Bahnhofstrasse 50
8305 Dietlikon
Switzerland
Tel: +41 44 850 53 53
Fax: +41 44 850 53 50
info@ch.tdk-lambda.com
www.de.tdk-lambda.com



Nordic Sales Office

Haderslevvej 36B
DK-6000 Kolding
Denmark
Tel: +45 2911 9556
info@dk.tdk-lambda.com



TDK-Lambda UK Ltd.

Kingsley Avenue
Ilfracombe
Devon EX34 8ES
United Kingdom
Tel: +44 (0) 12 71 85 66 66
Fax: +44 (0) 12 71 86 48 94
powersolutions@uk.tdk-lambda.com
www.uk.tdk-lambda.com



TDK-Lambda Ltd.

Kibbutz
Givat Hashlosha 48800
Israel
Tel: +9 723 902 4333
Fax: +9 723 902 4777
info@tdk-lambda.co.il
www.tdk-lambda.co.il



C.I.S.

Commercial Support:
Tel: +7 (495) 665 2627
Technical Support:
Tel: +7 (812) 658 0463
info@tdk-lambda.ru
www.tdk-lambda.ru

Local Distribution

