

# PCM-24BX4G

## Modular iDoor Box with LTE-A/UMTS/HSPA+, Antennas, and SIM Slot for EMEA/APAC

**NEW**



iDoor CE FCC RoHS

### Features

- Modular iDoor box design facilitates plug-and-play installation and upgrades
- Built-in wireless LTE module supports M.2 3042 industry-standard form factor connectors
- Compliant with relevant industry standards (CE RED, RCM, NCC, etc.) for safe and adaptable application

### Introduction

The PCM-24BX4G iDoor box is a combination wireless module designed for convenient installation, repair, and upgrades in management and machine-level automation applications. The plug-and-play design supports LTE M.2 3042 form factor connectors. Utilizing Advantech's iFactory app, this multiple-band wireless solution supports Windows and Linux operating systems for flexible installation.

### Specifications

<b>Dimensions</b>	81 x 19 x 50 mm (3.1 x .76 x 1.9 in)
<b>Hardware Compatibility</b>	Compatible with PCM-24BXBK-AE pre-installed system
<b>Wireless Module</b>	Quectel EM06 LTE-A Cat 6 M.2 3042 module
<b>Bands</b>	LTE-FDD: B1/B3/B5/B7/B8/B20/B28/B32 <sup>(1)</sup> LTE-TDD: B38/B40/B41 2xCA: B1+B1/B5/B8/B20/B28; B3+B3/B5/B7/B8/ B20/B28; B7+B5/B7/B8/B20/B28; B20+B32(1); B38+B38; B40+B40; B41+B41 WCDMA: B1/B3/B5/B8
<b>Data Rate</b>	LTE-FDD data rate (Mbps) : 300 (DL)/50 (UL) LTE-TDD data rate (Mbps) : 226 (DL)/28 (UL) DC-HSPA data rate (Mbps) : 42 (DL)/5.76 (UL) WCDMA data rate (Kbps) : 384 (DL)/384 (UL)
<b>GNSS</b>	N/A (Antenna change upon request)
<b>Antenna</b>	700 ~ 960 MHz, 1710 ~ 2700 MHz
<b>OS Support</b>	Windows 7/8/8.1/10, Linux 2.6/3.x/4.1 ~ 4.14
<b>Operating Temperature</b>	-20 ~ 60 °C (-4 ~ 149 °F)
<b>Relative Humidity</b>	95% RH @40 °C, non-condensing

(1) LTE-FDD B29 and B32 support receipt transactions only, and are exclusively for secondary component carriers in 2xCA

### Regulation

PCM-24BX4G utilizes the Quectel EM06-E module and complies with relevant regulations.

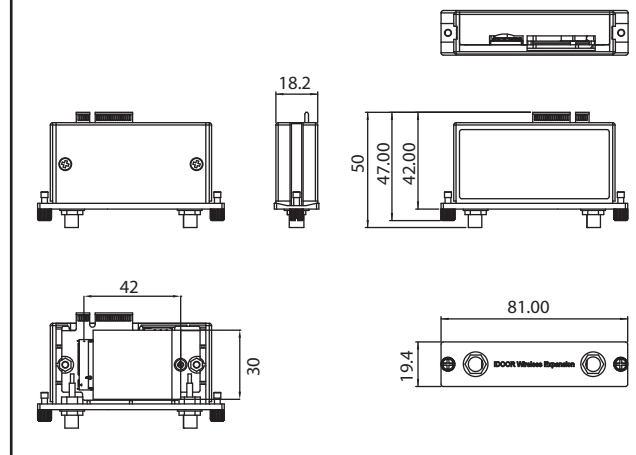
### Compatibility

Model	UNO-1372G-J	UNO-2372G-x022AE	UNO-2484G-67x2AE	UNO-3285C	TPC-B200	TPC-XX51T (A or B)	TPC-125H
iDoor Box	✓	✓	✓	✓	✓	✓	✓

Before installing iDoor box, ensure that the target system is compatible with PCM-24BXBK-AE.

### Dimensions

Unit: mm



### Ordering Information

- **PCM-24BX4G-AE** iDoor box with Cat. 6, LTE-A/UMTS/HSPA+, EM06-E, antennas for EMEA/APAC