

IPPC Series



I/O View



IPPC1003-PC



IPPC1203-RE



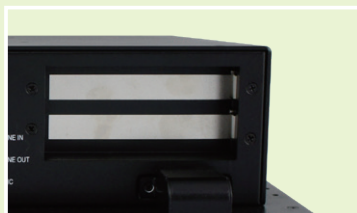
IPPC1503-RE

Features

- Cost effective
- Low power consumption
- IP65 front-panel waterproof protection



- PCI-E (x1) and PCI expansion
(Not for IPPC1003-PC)



- Front-side access USB 2.0 port
(IPPC1503-RE / IPPC1703-RE / IPPC1903-RE only)



- Projected capacitive touch screen
(IPPC1003-PC only)



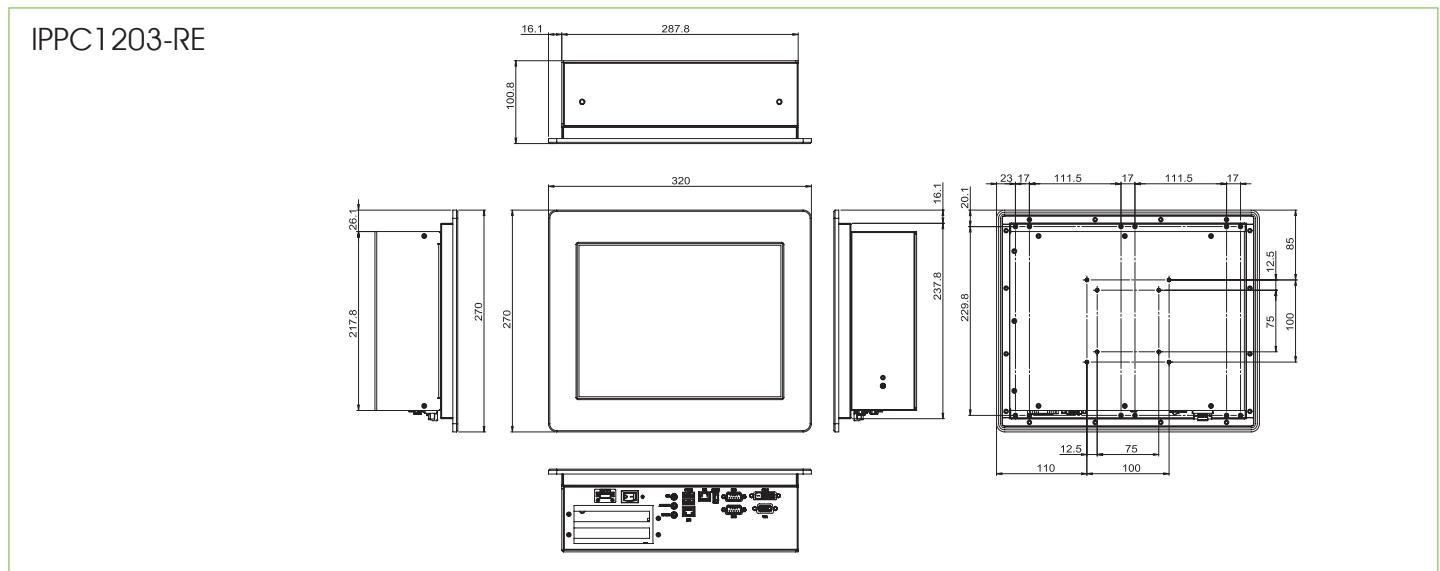
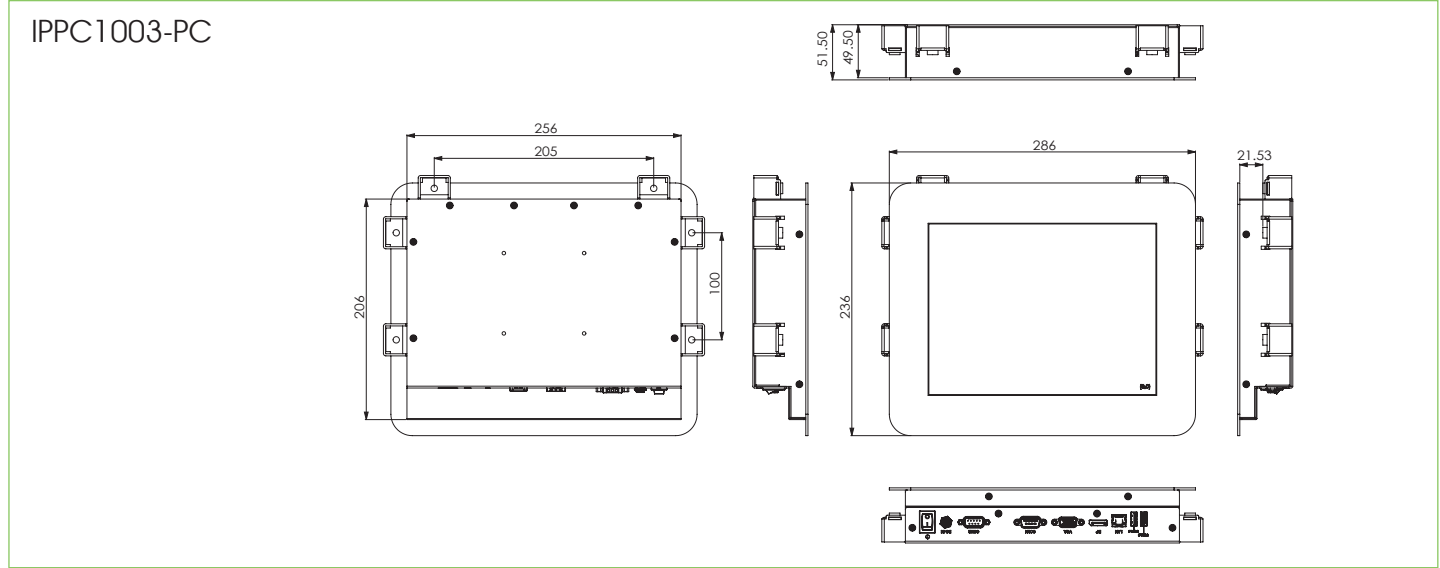
Specifications

| Model No. | | IPPC1003-PC | IPPC1203-RE |
|------------------------|-----------------------------------|---|---|
| Display & Touch Screen | Display Size | 10.4" TFT-LCD | 12.1" TFT-LCD |
| | Max. Resolution | 1024 x 768 | 1024 x 768 |
| | Luminance (cd/m ²) | 350 | 350 |
| | Contrast | 700:1 | 800:1 |
| | Max. Color | 16.7M | 16.7M |
| | View Angle (H°/V°) | 150/150 | 170/170 |
| | Backlight Lifetime(hrs) | 30,000 | 30,000 |
| | Touch Type | Projected capacitive | Resistive |
| | Touch Interface | USB | USB |
| | Light Transmission (%) | 85 | 79 |
| | Point of touch | Up to 2 | 1 |
| I/O Interface | USB 3.0 | 1 | 1 |
| | USB 2.0 | 1 | 2 at rear side |
| | RS-232/422/485 Selectable in BIOS | 1 | 1 |
| | RS-232 | 1 | 1 |
| | LAN | 1x GbE | 2x GbE |
| | Additional Graphics | DP and VGA | 1x VGA and DVI-D |
| | Audio | None | MIC in/ Line in/Line out phone jack |
| | Digital I/O | None | None |
| | Power Connector | Power jack | Terminal block (Jack type as Optional) |
| | Power Button | Rock switch | Rock switch |
| Mechanical | Dimensions (mm) | 286 x 236 x 51.5 | 320 x 270 x 101 |
| | Net Weight (kgs) | 2.2 | 7.5 |
| System | Processor | Intel® Atom® Processor E3815 1.46GHz | Intel® Celeron® Processor J1900 2.42GHz |
| | Memory | 1x DDR3L SO-DIMM, up to 4GB, default 2GB | 2x DDR3L SO-DIMM, up to 8GB, default 4GB |
| | Thermal Design | Fanless | Fanless |
| | Membrane Control | None | None |
| | Built-in Speaker/MIC | None | None |
| Expansion | Internal Expansion Bus | 1x Mini PCI-E(x1) [full/half-size] 2x Mini PCI-E(x1) [half-size] | 1x Mini PCI-E half size 1x Mini PCI-E full/half size, mSATA supports |
| | Expansion Slot | None | 1x PCI-E (x1) and 1x PCI |
| | Wireless | Optional | Optional |
| Storage Space | HDD | 1x 2.5" SATA | 1x 2.5" SATA HDD, default 2.5" 64G MLC SSD |
| | Removable | None | None |
| Power | Power Input Range | 12V DC | 12V/24V DC input |
| Construction | Chassis Material | SGCC with aluminum heat-sink, Black | SGCC |
| | Color (Front/Back) | Black/Black | Black / Black |
| | IP Rating | IP65 rated front bezel | Front IP65/Back IP30 |
| | Mounting | Panel mount and VESA 75x75mm | VESA 75x75 / 100x100, panel mounting |
| Environmental | Operating Temperature | -20°C ~ 50°C | 0°C ~ 50°C (with SSD) 0°C ~ 40°C (with HDD) |
| | Storage Temperature | -30°C ~ 80°C | -20°C~60°C |
| | Storage Humidity | 10%~90% (non-condensing) | 10%~90% (non-condensing) at 40°C |
| | Certification | CE/FCC class B and LVD | CE/FCC class B and LVD/CB/CCC |
| | Supported Operating Systems | Windows 8 32/64-bit, Windows 7 Pro for Embedded 64-bit, WES7 64-bit | Windows 7 Professional/WES 7and 8/Windows 8.1/ Windows 10 Linux Kernel 3.X |

Specifications

| Model No. | IPPC1503-RE | IPPC1703-RE | IPPC1903-RE | |
|------------------------|-----------------------------------|---|-------------------|-------------------|
| Display & Touch Screen | Display Size | 15" TFT-LCD | 17" TFT-LCD | 19" |
| | Max. Resolution | 1024 x 768 | 1280 x 1024 | 1280 x 1024 |
| | Luminance (cd/m ²) | 420 | 250 | 350 |
| | Contrast | 800:1 | 1000 : 1 | 1000:1 |
| | Max. Color | 16.2M | 16.7M | 16.7M |
| | View Angle (H°/V°) | 160/160 | 178/170 | 170/160 |
| | Backlight Lifetime(hrs) | 30,000 | 50,000 | 50,000 |
| | Touch Type | Resistive | | |
| | Touch Interface | USB | | |
| | Light Transmission (%) | 79 | 80 | 80 |
| | Point of touch | 1 | | |
| I/O Interface | USB 3.0 | 1 | | |
| | USB 2.0 | 2x at rear and 1 at front side with cover | | |
| | RS-232/422/485 Selectable in BIOS | 1 | | |
| | RS-232 | 1 | | |
| | LAN | 2x GbE | | |
| | Additional Graphics | 1x VGA and DVI-D | | |
| | Audio | MIC in/ Line in/Line out phone jack | | |
| | Digital I/O | None | | |
| | Power Connector | Terminal block (Jack type as Optional) | | |
| | Power Button | Rock switch | | |
| Mechanical | Dimensions (mm) | 410 x 335 x 105 | 442 x 377 x 102.5 | 480 x 415 x 106.5 |
| | Net Weight (kgs) | 8.7 | 9.7 | 10.97 |
| System | Processor | Intel® Celeron® Processor J1900 2.42GHz | | |
| | Memory | 2x DDR3L SO-DIMM, up to 8GB, default 4GB | | |
| | Thermal Design | Fanless | | |
| | Membrane Control | None | | |
| | Built-in Speaker/MIC | None | | |
| Expansion | Internal Expansion Bus | 1x Mini PCI-E half size 1x Mini PCI-E full/half size, mSATA supports | | |
| | Expansion Slot | 1x PCI-E (x1) and 1x PCI | | |
| | Wireless | Optionalal | | |
| Storage Space | HDD | 1x 2.5" SATA HDD, default 2.5" 64G MLC SSD | | |
| | Removable | None | | |
| Power | Power Input Range | 12V/24V DC input | | |
| Construction | Chassis Material | SGCC | | |
| | Color (Front/Back) | Black / Black | | |
| | IP Rating | Front IP65/Back IP30 | | |
| | Mounting | VESA 75x75 / 100x100, panel mounting | | |
| Environmental | Operating Temperature | 0°C ~ 50°C (with SSD) 0°C ~ 40°C (with HDD) | | |
| | Storage Temperature | -20°C~60°C | | |
| | Storage Humidity | 10%~90% (non-condensing) at 40°C | | |
| | Certification | CE / FCC class B and LVD | | |
| | Supported Operating Systems | Windows 7 Professional/ WES 7and 8/ Windows 8.1/ Windows 10 Linux Kernel 3.X | | |

Dimensions

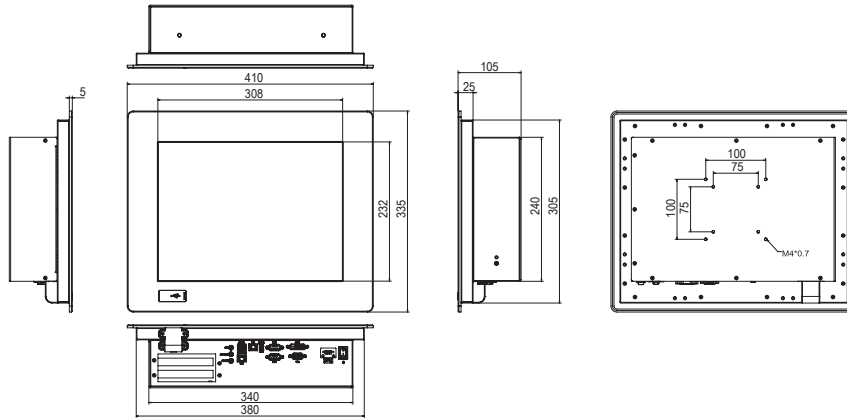


Ordering Information

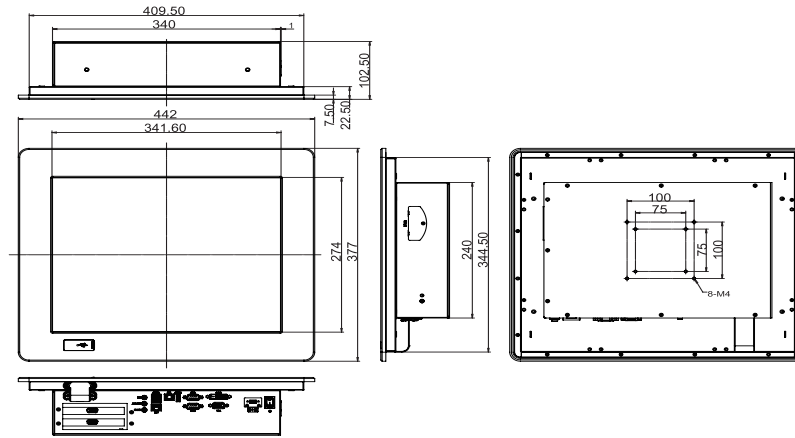
| | |
|-------------|--|
| IPPC1003-PC | 10.4" (1024 x 768) Panel PC with IB898, Intel® Atom® Processor E3815 1.46GHz, 2GB DDR3L SO-DIMM, 64G SSD, projected capacitive touch, 60W power adaptor |
| IPPC1203-RE | 12.1" (1024 x 768) Panel PC with MI805, Intel® Celeron® Processor J1900 2.42GHz, 4GB RAM, 64GB MLC SSD, PCI-E (x1) and PCI riser card, resistive touch screen, 12V or 24V DC power input, with power adaptor |

Dimensions

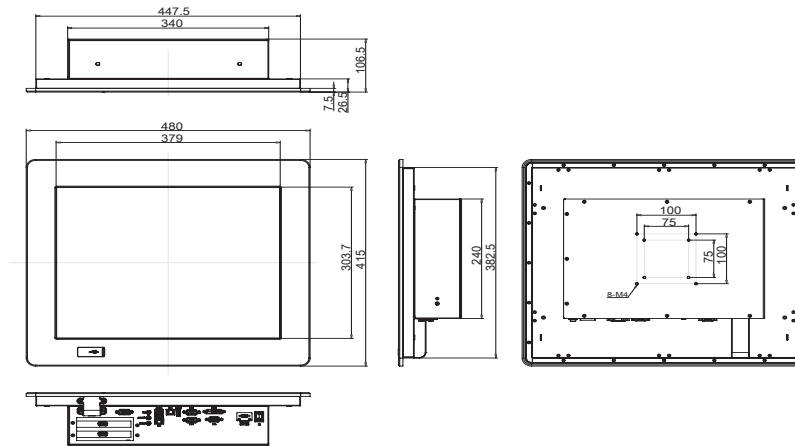
IPPC1503-RE



IPPC1703-RE



IPPC1903-RE



Ordering Information

| | |
|-------------|---|
| IPPC1503-RE | 15" (1024 x 768) Panel PC with MI805, Intel® Celeron® Processor J1900 2.42GHz, 4GB RAM, 64GB MLC SSD, PCI-E (x1) and PCI riser card, resistive touch screen, 12V or 24V DC power input, with power adaptor |
| IPPC1703-RE | 17" (1280 x 1024) Panel PC with MI805, Intel® Celeron® Processor J1900 2.0GHz, 4GB DDR3L SO-DIMM, 64G SSD, resistive touch screen, 12V or 24V power input, with power adaptor |
| IPPC1903-RE | 19.1" (1280 x 1024) Panel PC with MI805, Intel® Celeron® Processor J1900 2.42GHz, 4GB RAM, 64GB MLC SSD, PCI-E (x1) and PCI riser card, resistive touch screen, 12V or 24V DC power input, with power adaptor |