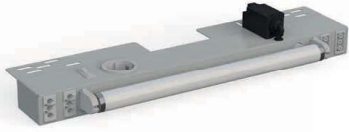


## FLUORESCENT LAMPS WITH A DOOR SWITCH AND SOCKET



- Material: powder coated sheet steel
- Application: to light up the interior of the cabinet, option of connecting several light fixtures
- Mounting: mount on inTEG FSE frames
- Degree of protection: IP20
- Supply includes: complete lighting unit with door switch and Schuko / UTE socket, potential-free contact for control of switchboard temperature control elements, connection connector

Code	Type	Package
ID-F-L14SKR-SCH	For FSE cabinet W 600 mm, 14W, 230 VAC, 50 Hz, socket Schuko	1 pc
ID-F-L18SKR-SCH	For FSE cabinet W 800 mm, 18W, 230 VAC, 50 Hz, socket Schuko	1 pc
ID-F-L14SKR-CZ	For FSE cabinet W 600 mm, 14W, 230 VAC, 50 Hz, socket UTE	1 pc
ID-F-L18SKR-CZ	For FSE cabinet W 800 mm, 18W, 230 VAC, 50 Hz, socket UTE	1 pc
ID-F-LN30	Power supply cord orange, length 3m, 3x1,5mm <sup>2</sup>	1 pc
ID-F-LL30	Power supply cord orange, length 3m, 3x0,75mm <sup>2</sup>	1 pc
ID-F-LAC166STG	Connector for the inter-connection cable gray	1 pc
ID-F-LAB-14	Plastic cover for lamps 14W	1 pc
ID-F-LAB-18	Plastic cover for lamps 18W	1 pc
ID-F-LV-06	Inter-connection cable, length 0.6m	1 pc
ID-F-LV-12	Inter-connection cable, length 1,0 m	1 pc

## LED LIGHT



- Material: PC, transparent and ABS
- Application: to light up the interior of the cabinet, option of connecting several light fixtures
- Mounting: mount onto the frame profiles or by magnets
- Dimensions: 357,4 x 32 x 31,16 mm
- Degree of protection: IP20
- Supply includes: complete lighting unit with rocker switch, inter-connection cables

Code	Type	Package
ID-F-L	Lighting unit LED 4 W, 24-265 V (DC/AC), 0/50/60 Hz	1 pc

## FASTENERS




- Supply includes: M6x16 ISO 7380 Zn (ID-W-SMS6x16) cage nuts, screws, hinge, pull-out brackets and fasteners for inTEG FSE (ID-F-CK)

Code	Type	Package
ID-W-CNM6	Cage nut M6	10 pcs
ID-W-SMS6x16	Screw M6x16, ISO 7380, Zn	10 pcs
ID-W-CNM8	Cage nut M8	10 pcs
ID-W-SMS8x16	Screw M8x16, ISO 7380, Zn	10 pcs
ID-F-CK	Hinge, pull-out brackets, replacement fasteners for inTEG FSE	1 set



02

inTEG WME COMPACT  
ENCLOSURES



<b>inTEG WME compact enclosures – benefits and specifications</b>	24
<b>Sheet steel, and sheet steel with glazed door</b>	25
<b>Stainless steel</b>	31
<b>Outdoor version</b>	34
<b>Accessories</b>	38

# inTEG WME COMPACT ENCLOSURES



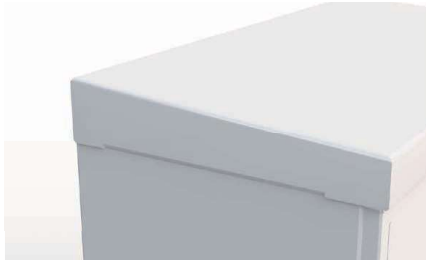
➤ **InTEG's compact enclosures** are unique in that their design is neat thanks to state-of-the-art laser welding technology. The design solution offers high rigidity and the possibility for many applications across industries and electrotechnics. All 54 sizes of the enclosures are designed with full or glazed doors, the range is complemented by a range of stainless steel cabinets and powder coated stainless steel for applications with higher demands on environmental resistance. Quickly install the internal equipment into these racks without using any additional accessories.



Perforated mounting rails on the doors  
(for enclosures 500 mm and higher)



Perforated mounting rails on side panels  
(for enclosures 250 mm in depth and deeper)



Lightweight top construction - does not burden  
the enclosure

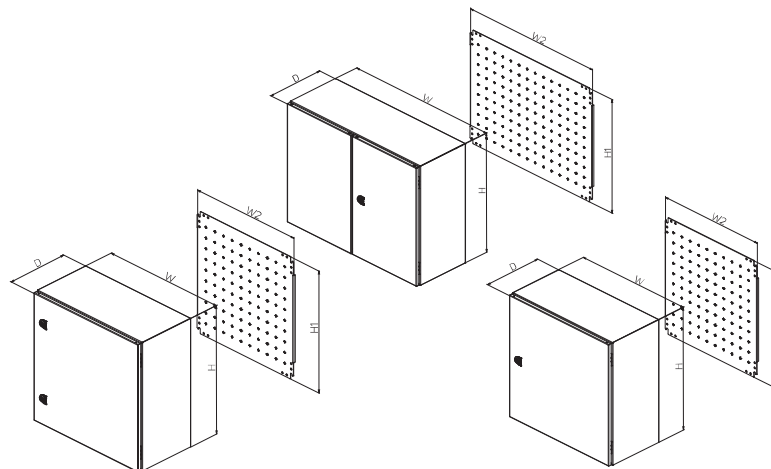


Wide selection of safety warning signs

## MAIN ADVANTAGES

- Clean design thanks to laser welding
- 54 sizes from 300×200×155 mm all the way up to 1400×1000×300 mm
- One-door and two-door version
- Options: sheet steel, stainless steel 304 or 316L, powder coated stainless steel
- Maximum mounting plate size
- Stability and robustness
- High back panel rigidity
- Wide assortment of accessories
- Tailor-made customer solutions - cut-outs according to your requirements before and after final surface finishing
- Left/right door hinge replacement
- Standard gear - mounting plate with a 50 × 50 mm marked raster for all types
- Wide selection of safety warning signs
- Placement of your logo or marking enclosures according to your requirements also possible
- Indoor and outdoor use
- Norm EN 62208

# inTEG WME COMPACT ENCLOSURES SHEET STEEL AND WITH GLAZED DOORS



COLOR:  RAL 7035

## TECHNICAL SPECIFICATIONS

### Material

- Enclosure: sheet steel
- Mounting plate: zinc-plated sheet steel
- Glazed door version: 4mm hardened clear glass according to EN 12150

### Enclosure surface finish

- epoxypolyester-powdercoat

### Color

- RAL 7035 for indoor use

### IP rating

- IP66 single-door version / IP55 two-door version according to EN 60529

(degree of protection may be reduced after mounting some accessories)

### Mechanical resistance

- IK10 according to IEC 62262
- IK08 (for glass)

### Supply includes:

- Single-door / double-door enclosure, door hinges are located on the right side of a single-door cabinet (easy to change door opening from right to left).The doors are equipped with a polyurethane foam seal

all around the perimeter and a rotary lock or three-point locking system

- Gland plate(s)
- Perforated mounting rails on the doors of enclosures 500 mm in height and higher
- Perforated mounting rails on the side panels of enclosures 250 mm in depth and deeper
- Mounting plate with a marked raster 50x50 mm
- Accessories for wall-mounting

For detailed technical information, see pages 58-60

### COMPACT ENCLOSURE, SINGLE-DOOR, HEIGHT 300 mm

Enclosures	H (mm)	300	300	300	300	300	300
	W (mm)	200	250	300	300	400	400
	D (mm)	155	155	155	210	155	210
Mounting plate	V1 (mm)	270	270	270	270	270	270
	W2 (mm)	150	200	250	250	350	350
Material thickness (mm)	Enclosure body	1.25	1.25	1.25	1.25	1.25	1.25
	Door	1.5	1.5	1.5	1.5	1.5	1.5
	Mounting plate	2	2	2	2	2	2
Quantity	Hinges	2	2	2	2	2	2
	Cam locks	1	1	1	1	1	1
	Bolts	4	4	4	4	4	4
Cable gland plate	Size	A	A	B	C	B	D
	Quantity	1	1	1	1	1	1
Weight (kg)		3.9	4.7	5.5	6.1	6.9	7.7
Code	1 pc	WME-030215	WME-032515	WME-030315	WME-030321	WME-030415	WME-030421
GLAZED DOOR VERSION							
Order number	1 pc	-	WME-G-032515	WME-G-030315	WME-G-030321	WME-G-030415	WME-G-030421

**COMPACT ENCLOSURE, SINGLE-DOOR, HEIGHT 400 mm**

Enclosures	H (mm)	400	400	400	400	400
	W (mm)	300	300	400	600	600
	D (mm)	155	210	210	210	250
Mounting plate	V1 (mm)	370	370	370	370	370
	W2 (mm)	250	250	350	550	550
Material thickness (mm)	Enclosure body	1.25	1.25	1.25	1.25	1.25
	Door	1.5	1.5	1.5	1.5	1.5
	Mounting plate	2	2	2.5	2.5	2.5
Quantity	Hinges	2	2	2	2	2
	Cam locks	1	1	1	1	1
	Bolts	4	4	4	4	4
Cable gland plate	Size	B	C	D	F	F
	Quantity	1	1	1	1	1
Weight (kg)		6.9	7.6	9.5	13.4	14.2
Code	1 pc	WME-040315	WME-040321	WME-040421	WME-040621	WME-040625
GLAZED DOOR VERSION						
Order number	1 pc	WME-G-040315	WME-G-040321	WME-G-040421	WME-G-040621	WME-G-040625
ACCESSORIES						
Rails for interior installation	1 set	-	-	-	-	ID-W-H4
19" fixed extrusions	1 set	-	-	-	-	ID-W-U8

**COMPACT ENCLOSURE, SINGLE-DOOR, HEIGHT 500 mm**

Enclosures	H (mm)	500	500	500	500	500
	W (mm)	300	400	400	500	500
	D (mm)	210	210	250	210	300
Mounting plate	H1 (mm)	470	470	470	470	470
	W2 (mm)	250	350	350	450	450
Material thickness (mm)	Enclosure body	1.25	1.25	1.25	1.25	1.25
	Door	1.5	1.5	1.5	1.5	1.5
	Mounting plate	2	2.5	2.5	2.5	2.5
Quantity	Hinges	2	2	2	2	2
	Cam locks	1	1	1	1	1
	Bolts	4	4	4	4	4
Cable gland plate	Size	C	D	D	E	E
	Quantity	1	1	1	1	1
Weight (kg)		9.1	11.3	12.1	13.7	15.5
Code	1 pc	WME-050321	WME-050421	WME-050425	WME-050521	WME-050503
GLAZED DOOR VERSION						
Order number	1 pc	WME-G-050321	WME-G-050421	WME-G-050425	WME-G-050521	WME-G-050503
ACCESSORIES						
Rails for interior installation	1 set	-	-	ID-W-H5	-	ID-W-H5
Door-mounting rails	1 set	ID-W-VD3	ID-W-VD4	ID-W-VD4	ID-W-VD5	ID-W-VD5
Interior door	1 pc	-	-	ID-W-ID54	-	ID-W-ID55

COMPACT ENCLOSURE, SINGLE-DOOR, HEIGHT 600 mm							
Enclosures	H (mm)	600	600	600	600	600	600
	W (mm)	400	400	400	400	500	500
	D (mm)	210	250	300	300	250	250
Mounting plate	W1 (mm)	570	570	570	570	570	570
	W2 (mm)	350	350	350	350	450	450
Material thickness (mm)	Enclosure body	1.25	1.5	1.5	1.5	1.5	1.5
	Door	1.5	1.5	1.5	1.5	1.5	1.5
	Mounting plate	2.5	2.5	2.5	2.5	2.5	2.5
Quantity	Hinges	2	2	2	2	2	2
	Cam locks	2	2	2	2	2	2
	Bolts	4	4	4	4	4	4
Cable gland plate	Size	D	D	D	D	E	E
	Quantity	1	1	1	1	1	1
Weight (kg)		13.2	15.4	16.8	16.8	18.4	18.4
Code	1 pc	WME-060421	WME-060425	WME-060403	WME-060403	WME-060525	WME-060525
GLAZED DOOR VERSION							
Code	1 pc	WME-G-060421	WME-G-060425	WME-G-060403	WME-G-060403	WME-G-060525	WME-G-060525
ACCESSORIES							
Rails for interior installation	1 set	-	ID-W-H6	ID-W-H6	ID-W-H6	ID-W-H6	ID-W-H6
Door-mounting rails	1 set	ID-W-VD4	ID-W-VD4	ID-W-VD4	ID-W-VD4	ID-W-VD5	ID-W-VD5
19" fixed extrusions	1 set	-	-	-	-	-	-
Interior door	1 pc	-	ID-W-ID64	ID-W-ID64	ID-W-ID64	ID-W-ID65	ID-W-ID65
Plinth **	front and rear	1 set	-	-	-	-	-
	sides	1 set	-	-	-	-	-

\* Don't forget to order the ID-W-UB console

\*\* Plinth steel version, height 100 mm, RAL 7046

COMPACT ENCLOSURE, SINGLE-DOOR, HEIGHT 600 mm								
Enclosures	H (mm)	600	600	600	600	600	600	600
	W (mm)	600	600	600	600	800	800	800
	D (mm)	210	250	300	400	250	300	300
Mounting plate	H1 (mm)	570	570	570	570	570	570	570
	W2 (mm)	550	550	550	550	750	750	750
Material thickness (mm)	Enclosure body	1.5	1.5	1.5	1.5	1.5	1.5	1.5
	Door	1.5	1.5	1.5	1.5	1.5	1.5	1.5
	Mounting plate	2.5	2.5	2.5	2.5	2.5	2.5	2.5
Quantity	Hinges	2	2	2	2	2	2	2
	Cam locks	2	2	2	2	2	2	2
	Bolts	4	4	4	4	4	4	4
Cable gland plate	Size	F	F	F	F	F	F	F
	Quantity	1	1	1	1	1	1	1
Weight (kg)		20.3	21.4	22.8	25.9	27.3	29	29
Code	1 pc	WME-060621	WME-060625	WME-060603	WME-060604	WME-060825	WME-060803	WME-060803
GLAZED DOOR VERSION								
Code	1 pc	WME-G-060621	WME-G-060625	WME-G-060603	WME-G-060604	WME-G-060825	WME-G-060803	WME-G-060803
ACCESSORIES								
Rails for interior installation	1 set	-	ID-W-H6	ID-W-H6	ID-W-H6	ID-W-H6	ID-W-H6	ID-W-H6
Door-mounting rails	1 set	ID-W-VD6	ID-W-VD6	ID-W-VD6	ID-W-VD6	ID-W-VD8	ID-W-VD8	ID-W-VD8
19" fixed extrusions	1 set	-	ID-W-U12	ID-W-U12	ID-W-U12	ID-W-U12 *	ID-W-U12 *	ID-W-U12 *
Interior door	1 pc	-	ID-W-ID66	ID-W-ID66	ID-W-ID66	-	-	-
Plinth **	front and rear	1 set	-	ID-W-PF60	ID-W-PF60	-	ID-W-PF80	ID-W-PF80
	sides	1 set	-	ID-W-PS30	ID-W-PS40	-	ID-W-PS30	ID-W-PS30

\* Don't forget to order the ID-W-UB console

\*\* Plinth steel version, height 100 mm, RAL 7046

**COMPACT ENCLOSURE, SINGLE-DOOR, HEIGHT 700 A 800 mm**

Enclosures	H (mm)	700	700	800	800	800	800	800
	W (mm)	500	500	600	600	600	800	800
	D (mm)	210	300	250	300	400	300	400
Mounting plate	H1 (mm)	670	670	770	770	770	770	770
	W2 (mm)	450	450	550	550	550	750	750
Material thickness (mm)	Enclosure body	1.5	1.5	1.5	1.5	1.5	1.5	1.5
	Door	1.5	1.5	2	2	2	2	2
	Mounting plate	2.5	2.5	3 F	3 F	3 F	3 FF	3 FF
Quantity	Hinges	2	2	2	2	2	2	2
	Cam locks	2	2	2	2	2	2	2
	Bolts	4	4	4	4	4	4	4
Cable gland plate	Size	E	E	F	F	F	F	F
	Quantity	1	1	1	1	1	1	1
Weight (kg)		19.8	22.3	29.2	31.7	35.2	40.2	44.2
Code	1 pc	WME-070521	WME-070503	WME-080625	WME-080603	WME-080604	WME-080803	WME-080804

**GLAZED DOOR VERSION**

Code	1 pc	WME-G-070521	WME-G-070503	WME-G-080625	WME-G-080603	WME-G-080604	WME-G-080803	WME-G-080804
------	------	--------------	--------------	--------------	--------------	--------------	--------------	--------------

**ACCESSORIES**

Rails for interior installation	1 set	–	ID-W-H7	ID-W-H8	ID-W-H8	ID-W-H8	ID-W-H8	ID-W-H8
Door-mounting rails	1 set	ID-W-VD5	ID-W-VD5	ID-W-VD6	ID-W-VD6	ID-W-VD6	ID-W-VD8	ID-W-VD8
19" fixed extrusions	1 set	–	–	ID-W-U17	ID-W-U17	ID-W-U17	ID-W-U17 *	ID-W-U17 *
Interior door	1 pc	–	ID-W-ID75	ID-W-ID86	ID-W-ID86	ID-W-ID86	ID-W-ID88	ID-W-ID88
Plinth **	front a and rear	1 set	–	–	ID-W-PF60	ID-W-PF60	ID-W-PF80	ID-W-PF80
	sides	1 set	–	–	ID-W-PS30	ID-W-PS40	ID-W-PS30	ID-W-PS40

3 F – 3mm mounting plate with 2 bended edges

3 FF – 3mm mounting plate with 4 bended edges

\* Don't forget to order the ID-W-UB console

\*\* Plinth steel version, height 100 mm, RAL 7046

**COMPACT ENCLOSURE, SINGLE-DOOR, HEIGHT 1000 mm**

Enclosures	H (mm)	1000	1000	1000	1000	1000
	W (mm)	600	600	600	800	800
	D (mm)	250	300	400	300	400
Mounting plate	H1 (mm)	970	970	970	970	970
	W2 (mm)	550	550	550	750	750
Material thickness (mm)	Enclosure body	1.5	1.5	1.5	1.5	1.5
	Door	2	2	2	2	2
	Mounting plate	3 F	3 F	3 F	3 FF	3 FF
Quantity	Hinges	3	3	3	3	3
	Bolts	4	4	4	6	6
3-point locking system		+	+	+	+	+
Cable gland plate	Size	F	F	F	F	F
	Quantity	1	1	1	1	1
Weight (kg)		35.7	38.4	42.4	48.6	53.1
Code	1 pc	WME-100625	WME-100603	WME-100604	WME-100803	WME-100804

**GLAZED DOOR VERSION**

Code	1 pc	WME-G-100625	WME-G-100603	WME-G-100604	WME-G-100803	WME-G-100804
------	------	--------------	--------------	--------------	--------------	--------------

**ACCESSORIES**

Rails for interior installation	1 set	ID-W-H10	ID-W-H10	ID-W-H10	ID-W-H10	ID-W-H10
Door-mounting rails	1 set	ID-W-VD6	ID-W-VD6	ID-W-VD6	ID-W-VD8	ID-W-VD8
19" fixed extrusions	1 set	ID-W-U21	ID-W-U21	ID-W-U21	ID-W-U21 *	ID-W-U21 *
Interior door	1 pc	ID-W-ID106	ID-W-ID106	ID-W-ID106	ID-W-ID108	ID-W-ID108
Plinth **	front a and rear	1 set	–	ID-W-PF60	ID-W-PF60	ID-W-PF80
	sides	1 set	–	ID-W-PS30	ID-W-PS40	ID-W-PS30

3 F – 3mm mounting plate with 2 bended edges

3 FF – 3mm mounting plate with 4 bended edges

\* Don't forget to order the ID-W-UB console

\*\* Plinth steel version, height 100 mm, RAL 7046



COMPACT ENCLOSURE, SINGLE-DOOR, HEIGHT 1200 mm								
Enclosures	H (mm)	1200	1200	1200	1200	1200	1200	1200
	W (mm)	600	600	800	800	800	800	800
	D (mm)	300	400	300	300	400	400	400
Mounting plate	V1 (mm)	1170	1170	1170	1170	1170	1170	1170
	W2 (mm)	550	550	750	750	750	750	750
Material thickness (mm)	Enclosure body	1.5	1.5	1.5	1.5	1.5	1.5	1.5
	Door	2	2	2	2	2	2	2
	Mounting plate	3 F	3 F	3 FF	3 FF	3 FF	3 FF	3 FF
Quantity	Hinges	3	3	3	3	3	3	3
	Bolts	6	6	6	6	6	6	6
3-point locking system		+	+	+	+	+	+	+
Cable gland plate	Size	F	F	F	F	F	F	F
	Quantity	1	1	1	1	1	1	1
Weight (kg)		45	49.4	57.1	57.1	57.1	62	62
Code		1 pc	WME-120603	WME-120604	WME-120803	WME-120803	WME-120804	WME-120804
GLAZED DOOR VERSION								
Code		1 pc	WME-G-120603	WME-G-120604	WME-G-120803	WME-G-120803	WME-G-120804	WME-G-120804
ACCESSORIES								
Rails for interior installation		1 set	ID-W-H12	ID-W-H12	ID-W-H12	ID-W-H12	ID-W-H12	ID-W-H12
Door-mounting rails		1 set	ID-W-VD6	ID-W-VD6	ID-W-VD8	ID-W-VD8	ID-W-VD8	ID-W-VD8
19" fixed extrusions		1 set	ID-W-U25	ID-W-U25	ID-W-U25 *	ID-W-U25 *	ID-W-U25 *	ID-W-U25 *
Interior door		1 pc	ID-W-ID126	ID-W-ID126	ID-W-ID128	ID-W-ID128	ID-W-ID128	ID-W-ID128
Plinth **	front a and rear	1 set	ID-W-PF60	ID-W-PF60	ID-W-PF80	ID-W-PF80	ID-W-PF80	ID-W-PF80
	sides	1 set	ID-W-PS30	ID-W-PS40	ID-W-PS30	ID-W-PS30	ID-W-PS30	ID-W-PS40

3 F – 3mm mounting plate with 2 bended edges

3 FF – 3mm mounting plate with 4 bended edges

\* Don't forget to order the ID-W-UB console

\*\* Plinth steel version, height 100 mm, RAL 7046

COMPACT ENCLOSURE, DOUBLE-DOOR, HEIGHT 600 – 1000 mm									
Enclosures	H (mm)	600	800	800	1000	1000	1000	1000	1000
	W (mm)	800	1000	1200	1000	1000	1200	1200	1200
	D (mm)	300	300	300	300	400	300	400	400
Mounting plate	H1 (mm)	570	770	770	970	970	970	970	970
	W2 (mm)	750	950	1150	950	950	1150	1150	1150
Material thickness (mm)	Enclosure body	1.5	1.5	1.5	1.5	1.5	1.5	1.5	1.5
	Door	1.5	2	2	2	2	2	2	2
	Mounting plate	2.5	3 FF	3 FF	3 FF	3 FF	3 FF	3 FF	3 FF
Quantity	Hinges	2	2	2	3	3	3	3	3
	Bolts	4	6	6	6	6	6	6	6
3-point locking system		+	+	+	+	+	+	+	+
Cable gland plate	Size	F	E	F	E	E	F	F	F
	Quantity	1	2	2	2	2	2	2	2
Weight (kg)		29.5	49.5	58.1	63.8	68.7	74.7	76	76
Code		1 pc	WME-160803	WME-181003	WME-181203	WME-201003	WME-201004	WME-201203	WME-201204
GLAZED DOOR VERSION									
Code		1 pc	WME-G-160803	WME-G-181003	WME-G-181203	WME-G-201003	WME-G-201004	WME-G-201203	WME-G-201204
ACCESSORIES									
Rails for interior installation		1 set	ID-W-H6	ID-W-H8	ID-W-H8	ID-W-H10	ID-W-H10	ID-W-H10	ID-W-H10
Door-mounting rails		1 set	ID-W-VD8	-	-	-	-	-	-
19" fixed extrusions		1 set	ID-W-U12 *	-	-	-	-	-	-
Plinth **	front a and rear	1 set	ID-W-PF80	ID-W-PF100	ID-W-PF120	ID-W-PF100	ID-W-PF100	ID-W-PF120	ID-W-PF120
	sides	1 set	ID-W-PS30	ID-W-PS30	ID-W-PS30	ID-W-PS30	ID-W-PS40	ID-W-PS30	ID-W-PS40

3 FF – 3mm mounting plate with 4 bended edges

\* Don't forget to order the ID-W-UB console

\*\* Plinth steel version, height 100 mm, RAL 7046

**COMPACT ENCLOSURE, DOUBLE-DOOR, HEIGHT 1200 – 1400 mm**

Enclosures	H (mm)	1200	1200	1200	1200	1400
	W (mm)	1000	1000	1200	1200	1000
	D (mm)	300	400	300	400	300
Mounting plate	H1 (mm)	1170	1170	1170	1170	1370
	W2 (mm)	950	950	1150	1150	950
Material thickness (mm)	Enclosure body	1.5	1.5	1.5	1.5	1.5
	Door	2	2	2	2	2
	Mounting plate	3 FF	3 FF	3 FF	3 FF	3 FF
Quantity	Hinges	3	3	3	3	3
	Bolts	6	6	6	6	6
3-point locking system		+	+	+	+	+
Cable gland plate	Size	E	E	F	F	E
	Quantity	2	2	2	2	2
Weight (kg)		74.7	80.2	87.6	93.4	85.8
Code	1 pc	WME-221003	WME-221004	WME-221203	WME-221204	WME-241003
<b>GLAZED DOOR VERSION</b>						
Code		WME-G-221003	WME-G-221004	WME-G-221203	WME-G-221204	WME-G-241003
<b>ACCESSORIES</b>						
Rails for interior installation	1 set	ID-W-H12	ID-W-H12	ID-W-H12	ID-W-H12	ID-W-H14
Door-mounting rails	1 set	-	-	-	-	-
19" fixed extrusions	1 set	-	-	-	-	-
Plinth **	front a and rear	1 set	ID-W-PF100	ID-W-PF100	ID-W-PF120	ID-W-PF120
	sides	1 set	ID-W-PS30	ID-W-PS40	ID-W-PS30	ID-W-PS40

3 FF – 3mm mounting plate with 4 bended edges

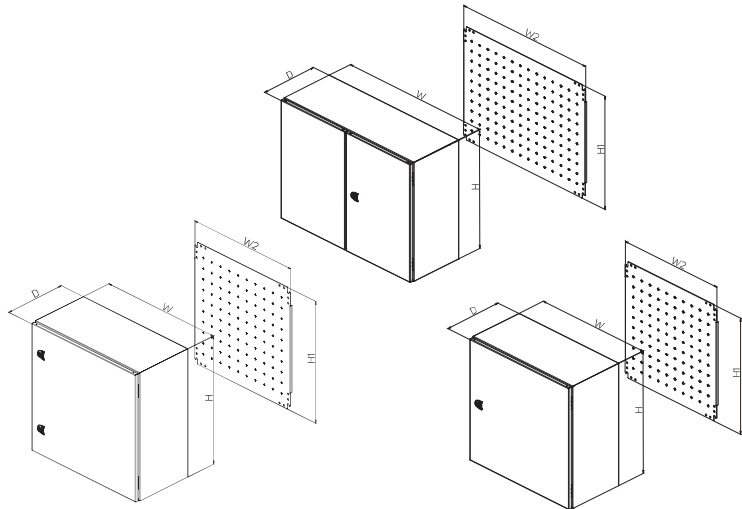
\* Don't forget to order the ID-W-UB console

\*\* Plinth steel version, height 100 mm, RAL 7046



# inTEG WME COMPACT ENCLOSURES

## STAINLESS STEEL



### TECHNICAL SPECIFICATIONS

#### Material

- Enclosure: stainless steel 1.4301 (AISI 304), stainless steel 1.4404 (AISI 316L) on request
- Mounting plate: zinc-plated sheet steel

#### Enclosure surface finish

- Fine ground surface

#### IP rating

- IP66 single-door version / IP55 double-door version according to EN 60529 (degree of protection may be reduced after mounting accessories)

#### Mechanical resistance

- IK10 according to IEC 62262

#### Application

- Indoors and outdoors

#### Supply includes:

- single-door/double-door enclosure. The doors are fitted with a polyurethane foam seal all around the perimeter and a rotary lock or three-point locking system.
- Perforated mounting rails on the doors of cabinets 500 mm in height and higher
- Perforated mounting rails on the side panels of cabinets 500 mm in depth and deeper

- Mounting plate with a marked raster 50x50 mm

- Accessories for wall-mounting
- Clean design, without cable glands and hole for wall-mounting
- Cut outs for installation in the Conteg Modification Center

For detailed technical information, see pages 61-62

COMPACT ENCLOSURE, SINGLE-DOOR, HEIGHT 300 mm

		300	300	300	400	400
Enclosure	H (mm)	300	300	300	300	300
	W (mm)	200	300	300	400	400
	D (mm)	155	155	210	155	210
Mounting plate	H1 (mm)	270	270	270	270	270
	W2 (mm)	150	250	250	350	350
Material thickness (mm)	Enclosure body	1.25	1.25	1.25	1.25	1.25
	Door	1.5	1.5	1.5	1.5	1.5
	Mounting plate	2	2	2	2	2
Quantity	Hinges	2	2	2	2	2
	Cam locks	1	1	1	1	1
	Bolts	4	4	4	4	4
Weight (kg)		3.9	5.5	6.1	6.9	7.7
Code	1 pc	WME-X-030215	WME-X-030315	WME-X-030321	WME-X-030415	WME-X-030421

**COMPACT ENCLOSURE, SINGLE-DOOR, HEIGHT 400 mm**

Enclosure	H (mm)	400	400	400	400
	W (mm)	300	300	400	600
	D (mm)	155	210	210	210
Mounting plate	H1 (mm)	370	370	370	370
	W2 (mm)	250	250	350	550
Material thickness (mm)	Enclosure body	1.25	1.25	1.25	1.25
	Door	1.5	1.5	1.5	1.5
	Mounting plate	2	2	2	2
Quantity	Hinges	2	2	2	2
	Cam locks	1	1	1	1
	Bolts	4	4	4	4
Weight (kg)		6.9	7.6	9.5	13.4
Code	1 pc	WME-X-040315	WME-X-040321	WME-X-040421	WME-X-040621

**COMPACT ENCLOSURE, SINGLE-DOOR, HEIGHT 500 mm**

Enclosure	H (mm)	500	500	500
	W (mm)	400	500	500
	D (mm)	210	210	300
Mounting plate	H1 (mm)	470	470	470
	W2 (mm)	350	450	450
Material thickness (mm)	Enclosure body	1.25	1.25	1.25
	Door	1.5	1.5	1.5
	Mounting plate	2.5	2.5	2.5
Quantity	Hinges	2	2	2
	Cam locks	1	1	1
	Bolts	4	4	4
Weight (kg)		11.3	13.7	15.5
Code	1 pc	WME-X-050421	WME-X-050521	WME-X-050503

**ACCESSORIES**

Rails for interior installation	1 set	-	-	ID-W-H5
Door-mounting rails	1 set	ID-W-VD4	ID-W-VD5	ID-W-VD5
19" fixed extrusions	1 set	-	-	-
Interior door	1 pc	-	-	ID-W-ID55

**COMPACT ENCLOSURE, SINGLE-DOOR, HEIGHT 600 mm**

Enclosure	H (mm)	600	600	600	600	600	600
	W (mm)	400	600	600	600	600	800
	D (mm)	210	210	250	300	400	300
Mounting plate	H1 (mm)	570	570	570	570	570	570
	W2 (mm)	350	550	550	550	550	750
Material thickness (mm)	Enclosure body	1.25	1.5	1.5	1.5	1.5	1.5
	Door	1.5	1.5	1.5	1.5	1.5	1.5
	Mounting plate	2.5	2.5	2.5	2.5	2.5	2.5
Quantity	Hinges	2	2	2	2	2	2
	Cam locks	2	2	2	2	2	2
	Bolts	4	4	4	4	4	4
Weight (kg)		13.2	20.3	21.4	22.8	25.9	29
Code	1 pc	WME-X-060421	WME-X-060621	WME-X-060625	WME-X-060603	WME-X-060604	WME-X-060803

**ACCESSORIES**

Rails for interior installation	1 set	-	-	ID-W-H6	ID-W-H6	ID-W-H6	ID-W-H6
Door-mounting rails	1 set	ID-W-VD4	ID-W-VD6	ID-W-VD6	ID-W-VD6	ID-W-VD6	ID-W-VD8
19" fixed extrusions	1 set	-	-	ID-W-U12	ID-W-U12	ID-W-U12	ID-W-U12 *
Interior door	1 pc	-	-	ID-W-ID66	ID-W-ID66	ID-W-ID66	-
Plinth **	front and rear	1 set	-	-	ID-W-SPF60	ID-W-SPF60	ID-W-SPF80
	side panels	1 set	-	-	ID-W-SPS30	ID-W-SPS40	ID-W-SPS30

\* Don't forget to order the ID-W-UB console

\*\* Plinth stainless steel, height 100 mm, RAL 7046

COMPACT ENCLOSURE, SINGLE-DOOR, HEIGHT 700 – 1200 mm								
Enclosure	H (mm)	700	800	800	800	1000	1200	1200
	W (mm)	500	600	600	800	800	800	800
	D (mm)	300	250	300	300	300	300	400
Mounting plate	H1 (mm)	670	770	770	770	,5	1170	1170
	W2 (mm)	450	550	550	750	750	750	750
Material thickness (mm)	Enclosure body	1.5	1.5	1.5	1.5	1.5	1.5	1.5
	Door	1,5	2	2	2	2	2	2
	Mounting plate	2.5	3 F	3 F	3 FF	3 FF	3 FF	3 FF
Quantity	Hinges	2	2	2	2	3	3	3
	Cam locks	2	2	2	2	-	-	-
	3-point locking system	-	-	-	-	+	+	+
	Bolts	4	4	4	4	6	6	6
Weight (kg)		22.3	29.2	31.7	40.2	48.6	57.1	62
Code	1 pc	WME-X-070503	WME-X-080625	WME-X-080603	WME-X-080803	WME-X-100803	WME-X-120803	WME-X-120804

ACCESSORIES								
Rails for interior installation	1 set	ID-W-H7	ID-W-H8	ID-W-H8	ID-W-H8	ID-W-H10	ID-W-H12	ID-W-H12
Door-mounting rails	1 set	ID-W-VD5	ID-W-VD6	ID-W-VD6	ID-W-VD8	ID-W-VD8	ID-W-VD8	ID-W-VD8
19" fixed extrusions	1 set	-	ID-W-U17	ID-W-U17	ID-W-U17*	ID-W-U21*	ID-W-U25*	ID-W-U25*
Interior door	1 pc	ID-W-ID75	ID-W-ID86	ID-W-ID86	ID-W-ID88	ID-W-ID108	ID-W-ID128	ID-W-ID128
Plinth **	front and rear	1 set	-	-	ID-W-SPF60	ID-W-SPF80	ID-W-SPF80	ID-W-SPF80
	sides	1 set	-	-	ID-W-SPS30	ID-W-SPS30	ID-W-SPS30	ID-W-SPS40

3 F – 3mm mounting plate with 2 bended edges

3 FF – 3mm mounting plate with 4 bended edges

\* Don't forget to order the ID-W-UB console

\*\* Plinth stainless steel, height 100 mm, RAL 7046

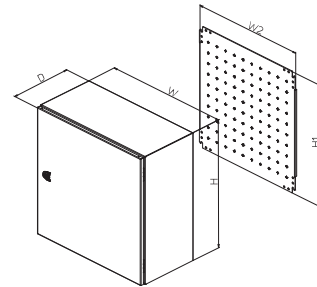
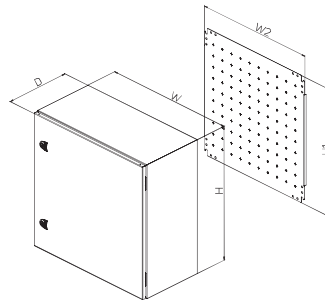
COMPACT ENCLOSURE, DOUBLE-DOOR, HEIGHT 1000 – 1200 mm									
Enclosure	H (mm)	1000				1200			
	W (mm)	1000				1000			
	D (mm)	300				300			
Mounting plate	H1 (mm)	970				1170			
	W2 (mm)	950				950			
Material thickness (mm)	Enclosure body	1.5				1.5			
	Door	2				2			
	Mounting plate	3 FF				3 FF			
Quantity	Hinges	3				3			
	Bolts for mounting plates	6				6			
3-point locking system		+				+			
Weight (kg)		63.8				74.7			
Code	1 pc	WME-X-201003				WME-X-221003			

ACCESSORIES										
Rails for interior installation	1 set	ID-W-H10				ID-W-H12				
Plinth **	front and rear	1 set	ID-W-SPF100				ID-W-SPF100			
	sides	1 set	ID-W-SPS30				ID-W-SPS30			

3 FF – 3mm mounting plate with 4 bended edges

\*\* Plinth stainless steel, height 100 mm, RAL 7046

# inTEG WME COMPACT ENCLOSURES OUTDOOR VERSION



COLOR:  RAL 7035

## TECHNICAL SPECIFICATIONS

### Material

- Enclosure: stainless steel
- Mounting plate: zinc-plated sheet steel

### Enclosure surface finish

- polyester-powdercoat

### Color

- RAL 7035 for outdoor use

### IP rating

- IP66 according to EN 60529 (the degree of protection may be reduced after mounting accessories)

### Mechanical resistance

- IK10 according to IEC 62262

### Supply includes

- Single-door enclosure. The doors are fitted with a polyurethane foam seal all around the perimeter and a rotary lock or 3-point locking system from a height of 1000 mm.
- Perforated mounting rails on the doors of cabinets 500 mm in height and higher
- Perforated mounting rails on the sides of cabinets 250 mm in depth and deeper
- Mounting plate with marked raster 50x50 mm

- Accessories for wall-mounting
- Clean design, without cable glands
- Cut outs for installation in the Conteg Modification Center

For detailed technical information, see pages 63-64

COMPACT ENCLOSURE, SINGLE-DOOR, HEIGHT 300 mm

		300	300	300	400	400
Enclosure	H (mm)	300	300	300	300	300
	W (mm)	200	300	300	400	400
	D (mm)	155	155	210	155	210
Mounting plate	H1 (mm)	270	270	270	270	270
	W2 (mm)	150	250	250	350	350
Material thickness (mm)	Enclosure body	1.25	1.25	1.25	1.25	1.25
	Door sections	1.5	1.5	1.5	1.5	1.5
	Mounting plate	2	2	2	2	2
Quantity	Hinges	2	2	2	2	2
	Rotary locks	1	1	1	1	1
	Bolts	4	4	4	4	4
Weight (kg)		3.9	5.5	6.1	6.9	7.7
Code	1 pc	WME-O-030215	WME-O-030315	WME-O-030321	WME-O-030415	WME-O-030421
ACCESSORIES						
Rain canopy	1 pc	ID-W-R2015	ID-W-R3015	ID-W-R3020	ID-W-R4015	ID-W-R4020
Pole-mounting brackets	1 set	ID-W-MP2	ID-W-MP3	ID-W-MP3	ID-W-MP4	ID-W-MP4

COMPACT ENCLOSURE, SINGLE-DOOR, HEIGHT 400 mm					
Enclosure	H (mm)	400	400	400	400
	W (mm)	300	300	400	600
	D (mm)	155	210	210	210
Mounting plate	H1 (mm)	370	370	370	370
	W2 (mm)	250	250	350	550
Material thickness (mm)	Enclosure body	1.25	1.25	1.25	1.25
	Door sections	1.5	1.5	1.5	1.5
	Mounting plate	2	2	2.5	2.5
Quantity	Hinges	2	2	2	2
	Rotary locks	1	1	1	1
	Bolts	4	4	4	4
Weight (kg)		6.9	7.6	9.5	13.4
Code	1 pc	WME-O-040315	WME-O-040321	WME-O-040421	WME-O-040621
ACCESSORIES					
Rain canopy	1 pc	ID-W-R3015	ID-W-R3020	ID-W-R4020	ID-W-R6020
Pole-mounting brackets	1 set	ID-W-MP3	ID-W-MP3	ID-W-MP4	ID-W-MP6

COMPACT ENCLOSURE, SINGLE-DOOR, HEIGHT 500 mm					
Enclosure	H (mm)	500	500	500	500
	W (mm)	400	500	500	500
	D (mm)	210	210	300	300
Mounting plate	H1 (mm)	470	470	470	470
	W2 (mm)	350	450	450	450
Material thickness (mm)	Enclosure body	1.25	1.25	1.25	1.25
	Door sections	1.5	1.5	1.5	1.5
	Mounting plate	2.5	2.5	2.5	2.5
Enclosure	Hinges	2	2	2	2
	Rotary locks	1	1	1	1
	Bolts	4	4	4	4
Weight (kg)		11.3	13.7	15.5	15.5
Code	1 pc	WME-O-050421	WME-O-050521	WME-O-050503	WME-O-050503
ACCESSORIES					
Rails for interior installation	1 set	-	-	-	ID-W-H5
Door-mounting rails	1 set	ID-W-VD4	ID-W-VD5	ID-W-VD5	ID-W-VD5
19" fixed extrusions	1 set	-	-	-	-
Interior door	1 pc	-	-	-	ID-W-ID55
Plinth **	front a and rear	1 set	-	-	-
	sides	1 set	-	-	-
Rain canopy	1 pc	ID-W-R4020	ID-W-R5020	ID-W-R5030	ID-W-R5030
Pole-mounting brackets	1 set	ID-W-MP4	ID-W-MP5	ID-W-MP5	ID-W-MP5

\* Don't forget to order the ID-W-UB console

\*\* Plinth stainless steel, height 100 mm, RAL 7046

**COMPACT ENCLOSURE, SINGLE-DOOR, HEIGHT 600 mm**

Enclosure	H (mm)	600	600	600	600	600	600
	W (mm)	400	400	600	600	600	800
	D (mm)	210	300	210	300	400	300
Mounting plate	H1 (mm)	570	570	570	570	570	570
	W2 (mm)	350	350	550	550	550	750
Material thickness (mm)	Enclosure body	1.25	1.5	1.5	1.5	1.5	1.5
	Door sections	1.5	1.5	1.5	1.5	1.5	1.5
	Mounting plate	2.5	2.5	2.5	2.5	2.5	2.5
Quantity	Hinges	2	2	2	2	2	2
	Rotary locks	2	2	2	2	2	2
	Bolts	4	4	4	4	4	4
Weight (kg)		13.2	16.8	20.3	22.8	25.9	29
Code	1 pc	WME-O-060421	WME-O-060403	WME-O-060621	WME-O-060603	WME-O-060604	WME-O-060803

**ACCESSORIES**

Rails for interior installation	1 set	-	ID-W-H6	-	ID-W-H6	ID-W-H6	ID-W-H6
Door-mounting rails	1 set	ID-W-VD4	ID-W-VD4	ID-W-VD6	ID-W-VD6	ID-W-VD6	ID-W-VD8
19" fixed extrusions	1 set	-	-	-	ID-W-U12	ID-W-U12	ID-W-U12 *
Interior door	1 pc	-	ID-W-ID64	-	ID-W-ID66	ID-W-ID66	-
Plinth **	front and rear	1 set	-	-	ID-W-SPF60	ID-W-SPF60	ID-W-SPF80
	sides	1 set	-	-	ID-W-SPS30	ID-W-SPS40	ID-W-SPS30
Rain canopy	1 pc	ID-W-R4020	ID-W-R4030	ID-W-R6020	ID-W-R6030	ID-W-R6040	ID-W-R8030
Pole-mounting brackets	1 set	ID-W-MP4	ID-W-MP4	ID-W-MP6	ID-W-MP6	ID-W-MP6	-

\* Don't forget to order the ID-W-UB console

\*\* Plinth stainless steel, height 100 mm, RAL 7046

**COMPACT ENCLOSURE, SINGLE-DOOR, HEIGHT 700 – 800 mm**

Enclosure	H (mm)	700	800	800	800	800	800
	W (mm)	500	600	600	600	600	800
	D (mm)	300	250	300	400	400	300
Mounting plate	H1 (mm)	670	770	770	770	770	770
	W2 (mm)	450	550	550	550	550	750
Material thickness (mm)	Enclosure body	1.5	1.5	1.5	1.5	1.5	1.5
	Door sections	1.5	2	2	2	2	2
	Mounting plate	2.5	3 F	3 F	3 F	3 F	3 FF
Quantity	Hinges	2	2	2	2	2	2
	Rotary locks	2	2	2	2	2	2
	3-point locking system	-	-	-	-	-	-
	Bolts	4	4	4	4	4	4
Weight (kg)		22.3	29.2	31.7	35.2	35.2	40.2
Code	1 pc	WME-O-070503	WME-O-080625	WME-O-080603	WME-O-080604	WME-O-080604	WME-O-080803

**ACCESSORIES**

Rails for interior installation	1 set	ID-W-H7	ID-W-H8	ID-W-H8	ID-W-H8	ID-W-H8	ID-W-H8
Door-mounting rails	1 set	ID-W-VD5	ID-W-VD6	ID-W-VD6	ID-W-VD6	ID-W-VD6	ID-W-VD8
19" fixed extrusions	1 set	-	ID-W-U17	ID-W-U17	ID-W-U17	ID-W-U17	ID-W-U17*
Interior door	1 pc	ID-W-ID75	ID-W-ID86	ID-W-ID86	ID-W-ID86	ID-W-ID86	ID-W-ID88
Plinth **	front and rear	1 set	-	-	ID-W-SPF60	ID-W-SPF60	ID-W-SPF80
	sides	1 set	-	-	ID-W-SPS30	ID-W-SPS40	ID-W-SPS30
Rain canopy	1 pc	ID-W-R5030	ID-W-R6025	ID-W-R6030	ID-W-R6040	ID-W-R6040	ID-W-R8030
Pole-mounting brackets	1 set	ID-W-MP5	ID-W-MP6	ID-W-MP6	ID-W-MP6	ID-W-MP6	-

3 F – 3mm mounting plate with 2 bended edges.

3 FF – 3mm mounting plate with 4 bended edges

\* Don't forget to order the ID-W-UB console

\*\* Plinth stainless steel, height 100 mm, RAL 7046



COMPACT ENCLOSURE, SINGLE-DOOR, HEIGHT 1000 – 1200 mm						
Enclosure	H (mm)	1000	1000	1000	1200	1200
	W (mm)	600	600	800	600	800
	D (mm)	300	400	400	300	400
Mounting plate	H1 (mm)	970	970	970	1170	1170
	W2 (mm)	550	550	750	550	750
Material thickness (mm)	Enclosure body	1.5	1.5	1.5	1.5	1.5
	Door sections	2	2	2	2	2
	Mounting plate	3 F	3 F	3 FF	3 F	3 FF
Quantity	Hinges	3	3	3	3	3
	Rotary locks	-	-	-	-	-
	3-point locking system	+	+	+	+	+
	Bolts	4	4	6	6	6
Weight (kg)		38.4	42.4	53.1	45	62
Code	1 pc	WME-O-100603	WME-O-100604	WME-O-100804	WME-O-120603	WME-O-120804
ACCESSORIES						
Rails for interior installation	1 set	ID-W-H10	ID-W-H10	ID-W-H10	ID-W-H12	ID-W-H12
Door-mounting rails	1 set	ID-W-VD6	ID-W-VD6	ID-W-VD8	ID-W-VD6	ID-W-VD8
19" fixed extrusions	1 set	ID-W-U21	ID-W-U21	ID-W-U21*	ID-W-U25	ID-W-U25*
Interior door	1 pc	ID-W-ID106	ID-W-ID106	ID-W-ID108	ID-W-ID126	ID-W-ID128
Plinth **	front and rear	1 set	ID-W-SPF60	ID-W-SPF60	ID-W-SPF80	ID-W-SPF80
	sides	1 set	ID-W-SPS30	ID-W-SPS40	ID-W-SPS40	ID-W-SPS30
Rain canopy	1 pc	ID-W-R6030	ID-W-R6040	ID-W-R8040	ID-W-R6030	ID-W-R8040
Pole-mounting brackets	1 set	ID-W-MP6	ID-W-MP6	-	ID-W-MP6	-

3 F – 3mm mounting plate with 2 bended edges

3 FF – 3mm mounting plate with 4 bended edges

\* Don't forget to order the ID-W-UB console.

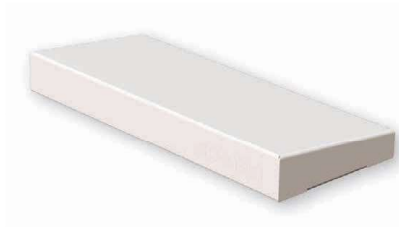
\*\* Plinth stainless steel, height 100 mm, RAL 7046

## Recommended accessories



### Filter fans

More information [on page 50](#)



### Rain canopy

More information [on page 41](#)



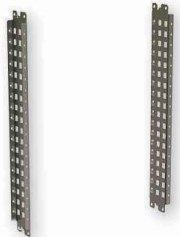
### Lighting unit

More information [on page 43](#)

# inTEG WME COMPACT ENCLOSURES

## ACCESSORIES

### RAILS FOR INTERIOR INSTALLATION

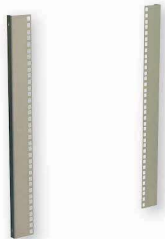


- Material: 2mm zinc-plated sheet steel with 25 mm perforation
- Rail width: 75 mm
- Mounting: onto interior rails, which are part of the enclosure
- Application: for distributors 250 mm deep and deeper and 400 mm in high and higher
- Supply includes: 2 mounting rails and accessories

Code	For enclosure height (mm)	Package
ID-W-H4	400	1 set
ID-W-H5	500	1 set
ID-W-H6	600	1 set
ID-W-H7	700	1 set
ID-W-H8	800	1 set
ID-W-H10	1000	1 set
ID-W-H12	1200	1 set
ID-W-H14	1400	1 set

1set = 2 pieces

### 19" FIXED EXTRUSIONS



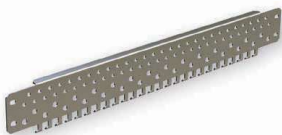
- Material: 2mm zinc-plated sheet steel
- Rail width: 56 mm
- Mounting: onto interior rails, which are part of the enclosure or onto the wall-mounting bracket ID-W-UD for enclosures 800 mm in width
- Application: for enclosures 250 mm deep and deeper and 600 and 800 mm wide
- Supply includes: 19" fixed extrusions and accessories

Code	For enclosure height (mm)	Package
ID-W-U8	400 (8U)	1 set
ID-W-U12	600 (12U)	1 set
ID-W-U17	800 (17U)	1 set
ID-W-U21	1000 (21U)	1 set
ID-W-U25	1200 (25U)	1 set

1 set = 2 pieces

For enclosure width 800 mm, it's necessary to order the ID-W-UB wall-mounting brackets, packing contains 4 pcs

### DOOR-MOUNTING RAILS



- Material: 2mm zinc-plated sheet steel
- Rail width: 61 mm (including door-mounting rails)
- Mounting: onto rails for interior installation, which are part of the enclosure door
- Application: for enclosures 500 mm high and higher
- Supply includes: 2 pcs door-mounting rails and mounting accessories

Code	For enclosure width (mm)	Package
ID-W-VD3	300	1 set
ID-W-VD4	400	1 set
ID-W-VD5	500	1 set
ID-W-VD6	600	1 set
ID-W-VD8	800	1 set

1set = 2 pieces

## SPARE MOUNTING PLATE



- Material: zinc-plated sheet steel
- Supply includes: mounting plate with marked raster 50×50 mm (securing materials in enclosure accessories)

Code	For sizes of enclosures H×W (mm)	Thickness of the material (mm)	Code	For sizes of enclosures H×W (mm)	Width of the material (mm)
ID-W-SP3020	300×200	2	ID-W-SP8060	800×600	3 F
ID-W-SP3025	300×250	2	ID-W-SP8080	800×800	3 FF
ID-W-SP3030	300×300	2	ID-W-SP8010	800×1000	3 FF
ID-W-SP3040	300×400	2	ID-W-SP8012	800×1200	3 FF
ID-W-SP4030	400×300	2	ID-W-SP1060	1000×600	3 F
ID-W-SP4040	400×400	2.5	ID-W-SP1080	1000×800	3 FF
ID-W-SP4060	400×600	2.5	ID-W-SP1010	1000×1000	3 FF
ID-W-SP5030	500×300	2	ID-W-SP1012	1000×1200	3 FF
ID-W-SP5040	500×400	2.5	ID-W-SP1260	1200×600	3 F
ID-W-SP5050	500×500	2.5	ID-W-SP1280	1200×800	3 FF
ID-W-SP6040	600×400	2.5	ID-W-SP1210	1200×1000	3 FF
ID-W-SP6050	600×500	2.5	ID-W-SP1212	1200×1200	3 FF
ID-W-SP6060	600×600	2.5	ID-W-SP1410	1400×1000	3 FF
ID-W-SP6080	600×800	2.5			
ID-W-SP7050	700×500	2.5			

3 F – 3mm mounting plate with 2 bended edges

3 FF – 3mm mounting plate with 4 bended edges

## BRACKETS FOR ADJUSTING MOUNTING PLATE



- Material: 2mm zinc-plated sheet steel
- Mounting: onto rails for interior installation, which are part of the enclosure
- Application: for enclosures 250 mm deep and deeper
- Supply includes: 4 wall-mounting brackets and mounting accessories

Code	Package
ID-W-AMB	4 pc

Only for enclosures with 4 bolts

## INTERIOR DOOR



- Material: 1,5 mm sheet steel
- Surface finish: epoxypolyester-powdercoat
- Degree of protection: IP20
- Color: RAL 7035
- Mounting: onto rails for interior installation, which are part of the enclosure
- Application: for single-door enclosures 250 mm in depth and deeper
- Lock: 3 mm double bar, 2 resp. 3 hinges
- Load capacity 20 kg
- Supply includes: Interior door mounting accessories

Code	For enclosure sizes H×W (mm)
ID-W-ID54	500×400
ID-W-ID55	500×500
ID-W-ID64	600×400
ID-W-ID65	600×500
ID-W-ID66	600×600
ID-W-ID75	700×500
ID-W-ID86	800×600
ID-W-ID88	800×800
ID-W-ID106	1000×600
ID-W-ID108	1000×800
ID-W-ID126	1200×600
ID-W-ID128	1200×800

## VIEWING DOOR



- Material: 1,5mm sheet steel, viewing door: 4mm hardened glass according to ČSN EN 12150, transparent
- Surface finish: epoxipolyester-powdercoat
- Color: RAL 7035
- Lock: 3 mm double bar, 2 resp. 3 Hinges
- Mounting: onto rails for interior installation, which are part of the enclosure
- Supply includes: viewing door and mounting accessories

Code	For enclosure sizes H×W (mm)
ID-W-TD43	400×300
ID-W-TD44	400×400
ID-W-TD54	500×400
ID-W-TD55	500×500
ID-W-TD64	600×400
ID-W-TD65	600×500
ID-W-TD66	600×600
ID-W-TD75	700×500
ID-W-TD86	800×600
ID-W-TD88	800×800
ID-W-TD106	1000×600
ID-W-TD108	1000×800
ID-W-TD126	1200×600
ID-W-TD128	1200×800

## LOCKS/LOCK INSERTS



ID-W-INSS



Double bit



Square



Triangular

Code	Type	Material	Package
ID-W-INSS	Spare rotary Lock inTEG WME	–	1 set*
ID-W-INLK	T handle with a lock for inTEG WME, key 5333	chrome plated zamak	1 set**
ID-W-INLK1	Lock for inTEG WME, key 444	chrome plated zamak	1 set**
ID-W-INLK2	Lock pro inTEG WME, unique key	chrome plated zamak	1 set**
ID-W-INLK3	Handle with lock for inTEG WME, key 5333	chrome plated zamak	1 set**
ID-W-IND3	3 mm "Double bit"	black zamak	1 pc
ID-W-INS6	6 mm square	black zamak	1 pc
ID-W-INS7	7 mm square	black zamak	1 pc
ID-W-INS8	8 mm square	black zamak	1 pc
ID-W-INT7	7 mm triangle	black zamak	1 pc
ID-W-INT8	8 mm triangle	black zamak	1 pc
ID-W-INT9	9 mm triangle	black zamak	1 pc
ID-W-INLKE1	Lockable closure VW 1	chrome plated zamak	1 set**

\* Complete replacement rotary double bit lock kit 5 mm with double bar

\*\* Complete set of cam lock with double bar

## WALL-MOUNTING BRACKETS



- Material: 3mm stainless steel (ID-W-WB) or zinc-plated sheet metal(ID-W-WBZN)
- Load capacity: 100 kg
- Supply includes: 4 pcs brackets and mounting material to mount onto enclosure

Code	Package
ID-W-WB	4
ID-W-WBZN	4

## PLINTH



- Height: 100 mm
- Material: 2mm zinc-plated sheet steel/stainless steel 403
- Surface finish:
  - sheet steel: epoxypolyester-powdercoat
  - stainless steel: polyester-powdercoat
- Possibility of installing two plinths on top of each other (max. 4pcs)
- Supply includes: Plinth and accessories  
(set ID-W-PFxx / ID-W-PSxx or ID-W-SPFxx / ID-W-SPSxx)

### PLINTH STAINLESS STEEL – FRONT AND REAR KIT

Code	For enclosure width (mm)	Material	Color	Package
ID-W-SPF60	600	stainless steel	RAL 7046	1 set
ID-W-SPF80	800	stainless steel	RAL 7046	1 set
ID-W-SPF100	1000	stainless steel	RAL 7046	1 set
ID-W-SPF120	1200	stainless steel	RAL 7046	1 set
ID-W-SPF60G	600	stainless steel	RAL 7035	1 set
ID-W-SPF80G	800	stainless steel	RAL 7035	1 set
ID-W-SPF100G	1000	stainless steel	RAL 7035	1 set
ID-W-SPF120G	1200	stainless steel	RAL 7035	1 set

1 set contains 1 pcs front and 1 pcs rear and mounting accessories

### PLINTH STAINLESS STEEL – SIDE KIT

Code	For enclosure depth (mm)	Material	Color	Package
ID-W-SPS30	300	stainless steel	RAL 7046	1 set
ID-W-SPS40	400	stainless steel	RAL 7046	1 set
ID-W-SPS30G	300	stainless steel	RAL 7035	1 set
ID-W-SPS40G	400	stainless steel	RAL 7035	1 set

1 set contains 2 sides and mounting accessories

### PLINTH STEEL – SIDE KIT

Code	For enclosure depth (mm)	Material	Color	Package
ID-W-PS30	300	steel	RAL 7046	1 set
ID-W-PS40	400	steel	RAL 7046	1 set
ID-W-PS30G	300	steel	RAL 7035	1 set
ID-W-PS40G	400	steel	RAL 7035	1 set

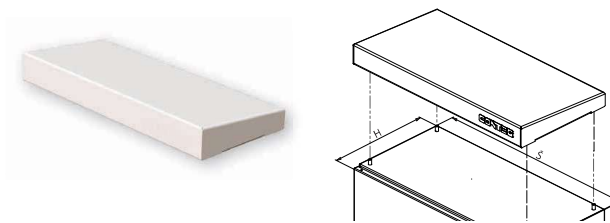
1 set contains 2 pcs side kits and mounting accessories

### PLINTH STEEL – FRONT AND REAR KIT

Code	For enclosure width(mm)	Material	Color	Package
ID-W-PF60	600	steel	RAL 7046	1 set
ID-W-PF80	800	steel	RAL 7046	1 set
ID-W-PF100	1000	steel	RAL 7046	1 set
ID-W-PF120	1200	steel	RAL 7046	1 set
ID-W-PF60G	600	steel	RAL 7035	1 set
ID-W-PF80G	800	steel	RAL 7035	1 set
ID-W-PF100G	1000	steel	RAL 7035	1 set
ID-W-PF120G	1200	steel	RAL 7035	1 set

1 set contains 1 pcs front and 1 pcs rear and mounting accessories

## RAIN CANOPY



- Material: 2mm aluminium sheet
- Surface finish: polyester-powdercoat
- Color: RAL 7035
- Mounting: directly into the enclosure roof, 4x M6 screws, the roof sloping is adjustable
- Holes for installation in the Conteg Modification Center
- Supply includes: roof and mounting accessories

### Code

### For enclosure dimensions WxD (mm)

ID-W-R2015	200x155
ID-W-R3015	300x155
ID-W-R3020	300x210
ID-W-R4015	400x155
ID-W-R4020	400x210
ID-W-R4030	400x300
ID-W-R5020	500x210
ID-W-R5030	500x300
ID-W-R6020	600x210
ID-W-R6025	600x250
ID-W-R6030	600x300
ID-W-R6040	600x400
ID-W-R8030	800x300
ID-W-R8040	800x400

## POLE-MOUNTING BRACKETS



- Material: 2mm stainless steel sheet
- Mounting: for poles that are 250 mm in diameter
- Load capacity: 200 kg
- Supply includes: Pole-mounting brackets mounting accessories (2 pcs profile rails, 2 pcs clamping straps(l=850 mm), 8 sets: screws M8×12, self-locking nuts and washers adhesion)

Code	For rack width (mm)
ID-W-MP2	200
ID-W-MP25	250
ID-W-MP3	300
ID-W-MP4	400
ID-W-MP5	500
ID-W-MP6	600

## DOOR STOP



- Material: 2mm zinc-plated sheet steel
- Application: for enclosures 500 mm in height and higher and 250 mm deep and deeper
- Supply includes: door stop and mounting accessories

Code	Package
ID-W-DS	1 pc

## DOOR SWITCH



- Material – brackets: 2 mm zinc-plated sheet steel
- Door switch: IP65, plastic, 1NO + 1 NC, PG13,5, -25°C to +70°C
- Application: for enclosures 500 mm high and higher and 250 mm deep and deeper
- Supply includes: door switch and mounting accessories

Code	Package
ID-W-DC	1 pc

## POCKET FOR DOCUMENTS



- Material: ABS
- Color: RAL 7035
- Dimensions: 234x241x31 mm (HxWxD)
- Mounting: self-adhesive tape
- Supply includes: pocket for documents including self-adhesive tape

Code	Package
ID-PO-A4	1 pc

## LIGHTING UNIT



- Degree of protection: IP20
- Mounting: onto mounting plate, side of rails
- Technology LED, 12 illuminated spots
- Dimensions: 400x26x27 mm (WxHxD)
- Supply includes:
  - inter-connection cables
  - Brackets for mounting plate for fitting the lighting unit near the top in various depths

Code	Type	Package
ID-W-L	3W, 230 W, 50 Hz	1 pc

## DRAINAGE DEVICE



- Material: plastic according to UL94V-0, dark grey, waterproof with UV protection
- Degree of protection: IP67
- Sealing: NBR
- Dimensions: Ø 60x49,5 mm, 17,5 mm inside the enclosure
- Water flow rate: 200 ml/hod
- Mounting: vertically at the lowest point, thread M50x1.5 with nut (Cut-out diameter 50 mm)

Code	Package
ID-EO-DD	1 pc