



- 75 mm ball
- non-sealing

75 MM OEM TRACKBALLMODULE

The GK75 is a very high specification, back of panel mounted trackball with large 75 mm ball diameter. It is constructed from PPS and benefits from its large diameter shafts and bearings for smooth running. It is designed to be rear-panel mounted as part of OEM systems, where reliability, robustness and an extensive life span are essential. The large ball provides the perfect solution for high performance, high resolution applications.

GENERAL TECHNICAL SPECIFICATIONS

Sealing	: none, IP40
Casing material	: PPS polypropylene-disulphide
Top plate material	: PPS polypropylene-disulphide
Ball material	: Phenolic resin
Ball colour	: Yellow or black
Ball diameter	: 76,2 mm
Weight	: 650 grams
Shaft diameter	: 9,5 mm
Tracking force	: 15 grams nominal
Mounting angle	: Max. 30° to horizontal plane
Lifetime - Ball revolutions	: > 2 million
Storage temperature	: -20°C to +80°C
Operating temperature	: -10°C to +60°C
Relative humidity	: 95% non-condensing
Vibration	: 5G, 5-2KHz any plane

CONNECTIVITY

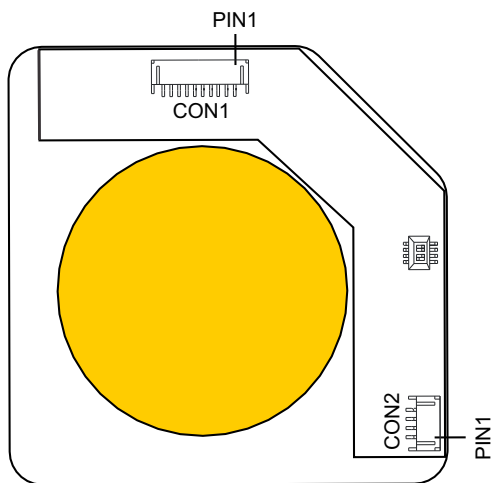
The GK75-1502 is PS/2 compatible. The GK75-1602 can be plugged into any USB port or hub. Both types are supplied with 1,6m long shielded straight cables and external switch cables. No device driver is supplied with the unit. Please use standard available drivers in your operating system.

* Due to the increasing differences of the PS/2 mouse port specifications of the various PC manufacturers, we do recommend that this unit should be tested on the final PC configuration and operating system prior to installing it in series.

ORDER INFO

OUTPUT	BALL COLOUR	ORDER NUMBER	Consisting of :
PS/2	Yellow ball	GK75-1502	P75-160244 : Trackball module only, yellow ball OR P75-160240 : Trackball module only, black ball OC6010160 : 1,6 m shielded cable with 6 pin mini DIN plug IC040035 : 35 cm switch cable (4 wires) to CON2
	Black ball	GK75-1502B	
USB	Yellow ball	GK75-1602	
	Black ball	GK75-1602B	

DIMENSIONAL DRAWING



Dip switches : leave off,
for factory use only.

10 way connector (CON1)

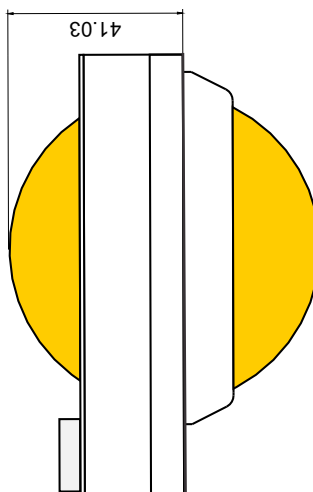
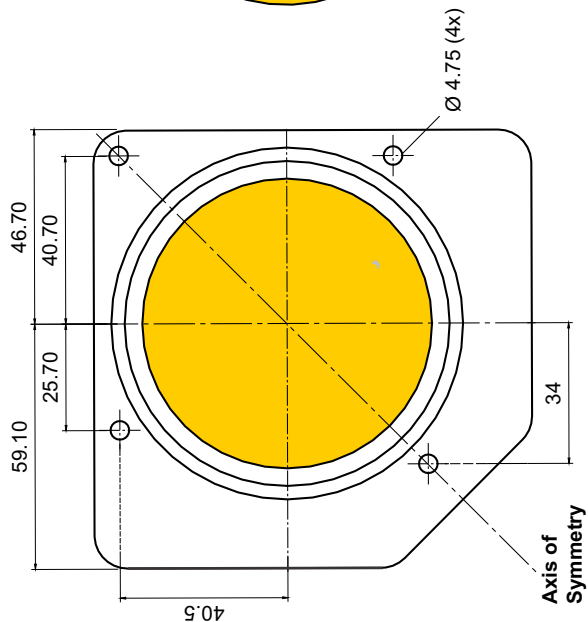
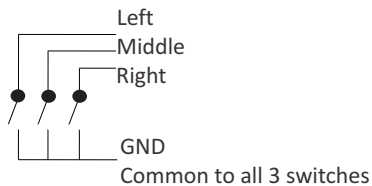
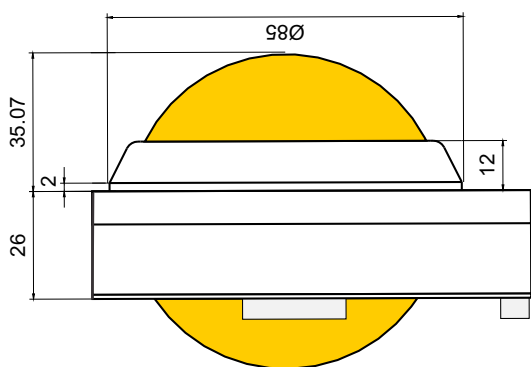
Pin	Quadrature	PS/2 or USB
1	X1	X1
2	X2	X2
3	Y1	Y1
4	Y2	Y2
5	-	-
6	-	-
7	Vcc	Vcc
8	-	Data/D-
9	-	CLK/D+
10	GND	GND

CON2

Pin	Connector 2 Switch input
1	Left switch
2	Middle switch
3	Right switch
4	GND (common)

Connector type : JST PH Series 2,0mm pitch.
Mating connector : JST KR Series 2,0mm pitch.

Connector type CON1, CON2 : JST PH Series 2,0mm pitch.
Mating part to connector CON1, CON2: JST KR Series 2,0mm pitch.
Type numbers: 04KR-8M (CON2), 10KR-8M(CON1)



Dim in mm.

The company reserves the right to alter without prior knowledge the specification or design of any standard product or service.